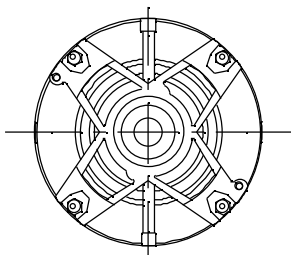
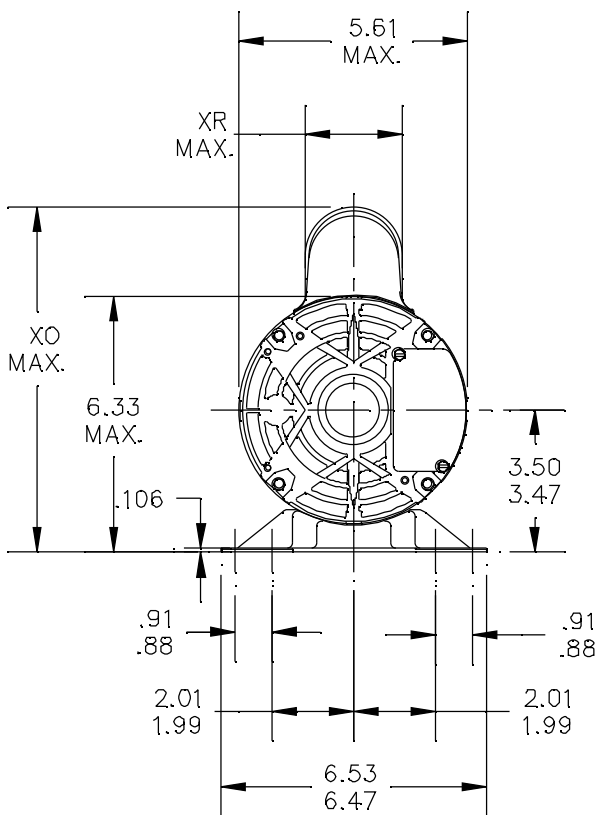
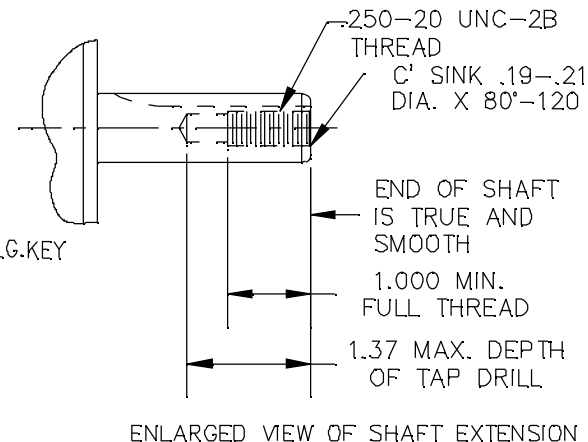
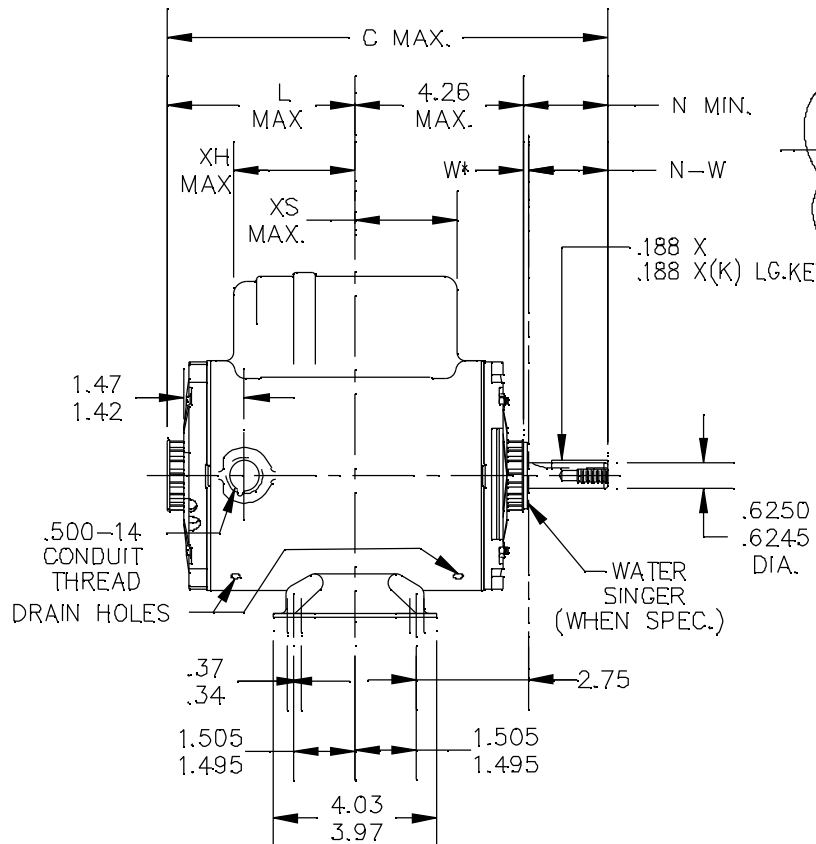


52A109516



VIEW SHOWING P.E. (NO VENTS)



W* IS A CLEARANCE DUE TO VARIATION IN PARTS AND ASSEMBLY.

1	KC	37	56Z	11.26	1.62	4.63	2.25	2.38/2.19	2.99	2.68	7.85	1.60
P	TYPE	RBC SIZE	NEMA FR	C	K	L	N	N-W	XH	XS	XO	XR

TOLERANCES UNLESS SPECIFIED

DEC.	INCHES
.X	±0.1
.XX	±0.02
.XXX	±0.005
.XXXX	±0.0005
ANG	±1.0



REGAL-BELOIT CORPORATION

DRAWN	M.D.P	04/18/94
CHK		
APPD	M.D.P	04/18/94
SCALE		1=1
REF		
FMF		
PREV		

4	REDRAWN IN DRAFT SIGHT NO CHANGES	PVR	10/16/12	PKG
3	TAPPING ADDED PER ISO9-1251	AMI	04/03/06	
2	CHG TO RBC FORMAT PER ISO5-1777	SUD	03/16/06	
NO.	REVISION	BY & DATE	CHK	ANG

TITLE	OUTLINE
TENW - WELDED BASE	
MAT'L.	
FINISH	

THIS DRAWING IN DESIGN AND DETAIL IS OUR PROPERTY AND MUST NOT BE USED EXCEPT IN CONNECTION WITH OUR WORK ALL RIGHTS OF DESIGN AND INVENTION ARE RESERVED THIS IS AN ELECTRONICALLY GENERATED DOCUMENT - DO NOT SCALE THIS PRINT

RFP	CAD FILE	52A109516	SIZE	DRAWING NO.	REV.
DIST			A	52A109516	4