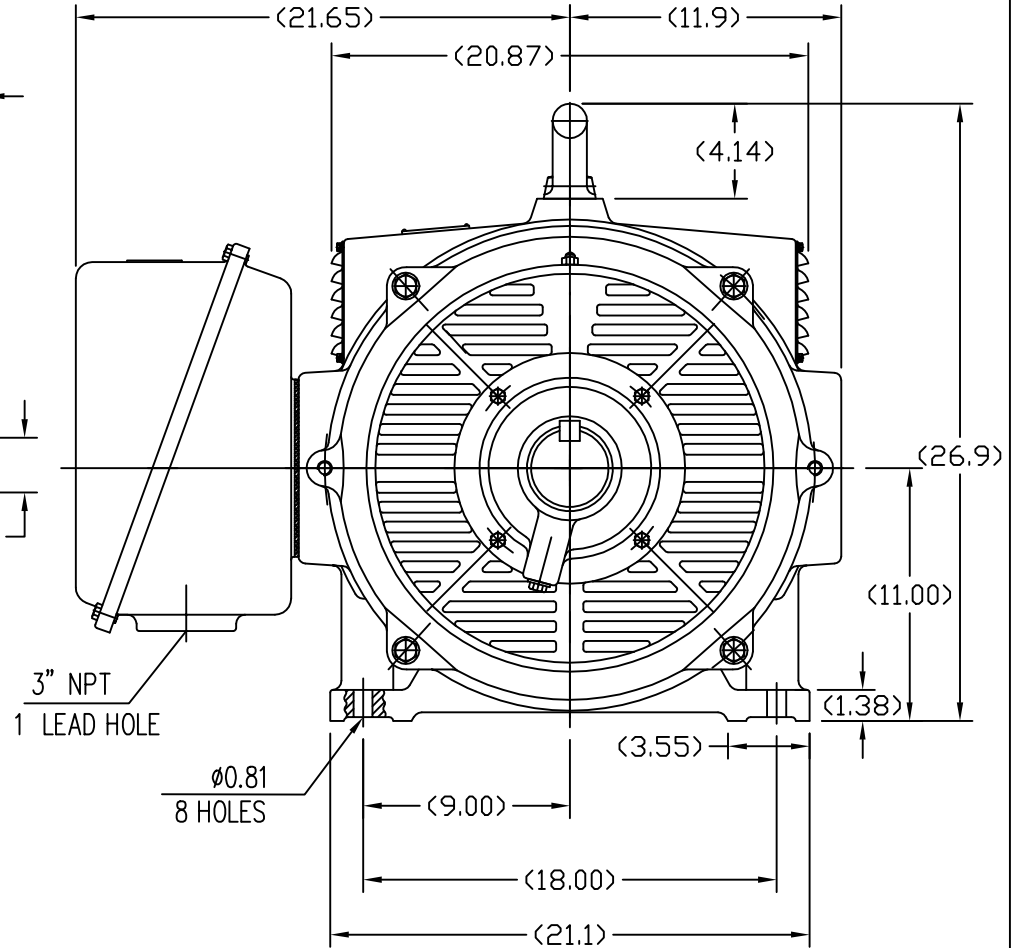
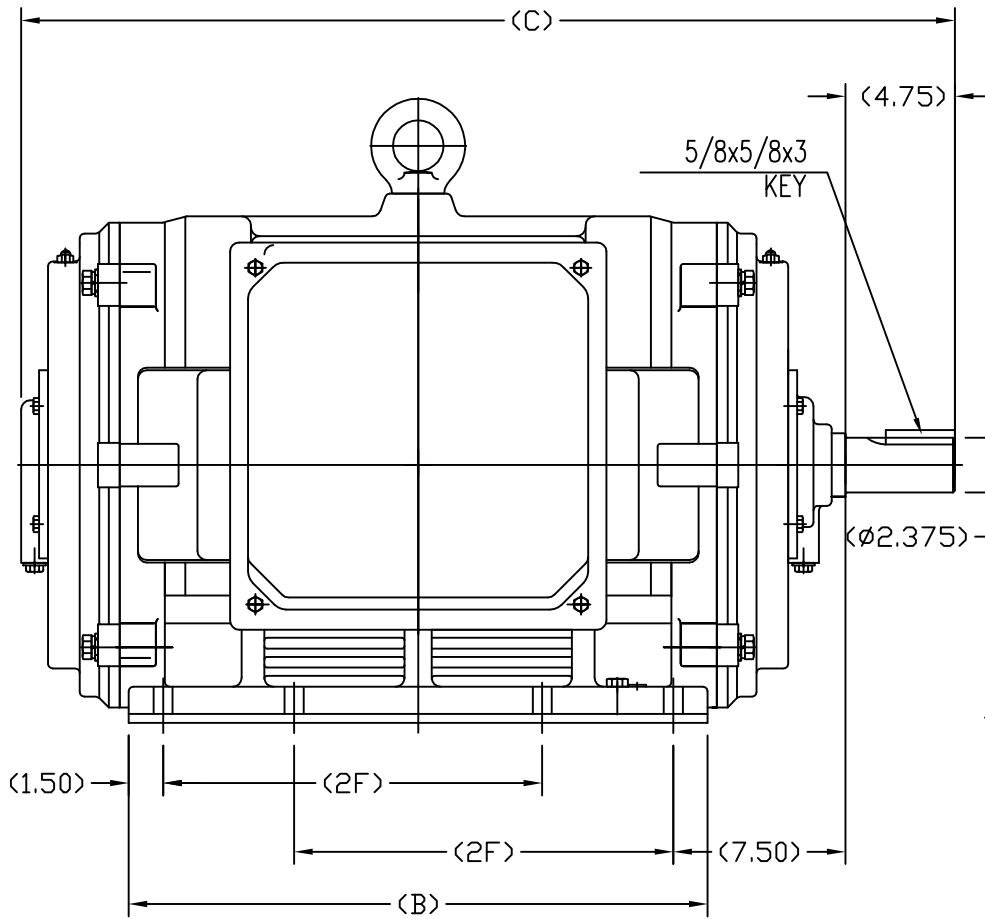


SS620256



444TS	40.83	25.2	14.5
445TS			16.5
447TS	45.95	30.31	20
449TS			25
Frame	C	B	2F

REVISION		BY & DATE	CHK	ANG	FINISH	CAD FILE	SIZE	DRAWING NO.	REV.
A	2 leads hole change to 1	CL 2010-9-8							
ND.									
THIS DRAWING IN DESIGN AND DETAIL IS OUR PROPERTY AND MUST NOT BE USED EXCEPT IN CONNECTION WITH OUR WORK. ALL RIGHTS OF DESIGN AND INVENTION ARE RESERVED. THIS IS AN ELECTRONICALLY GENERATED DOCUMENT - DO NOT SCALE THIS PRINT.			RFP	DIST		SS620256	B	SS620256	

TOLERANCES UNLESS SPECIFIED		<b>REGAL-BELOIT CORPORATION</b>	DRAWN HZJ 02-21-2010
DEC.	INCHES		CHK ZYH 02-21-2010
.X	±.1		APPD CL 02-21-2010
.XX	±.03		SCALE 6=32
.XXX	±.005		REF
.XXXX	±.0005	MAT'L.	FMF HWADA
TITLE		OUTLINE	PREV
444/445/447/449TS FR-ODD-CAST IRON			