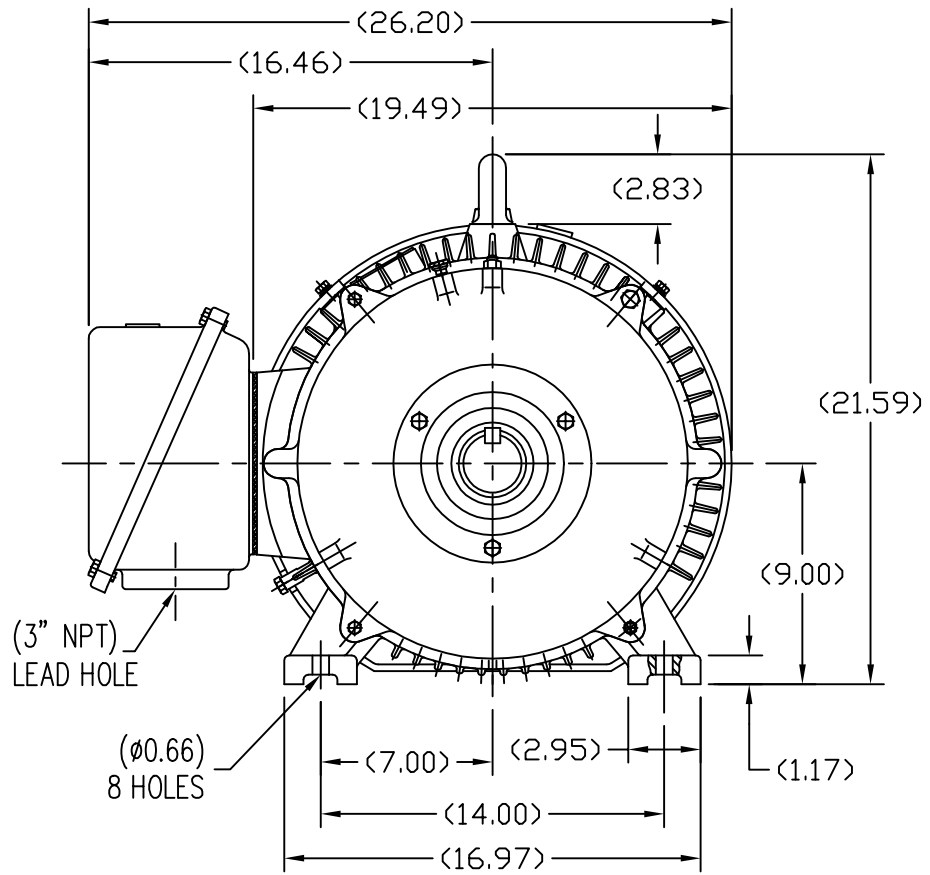
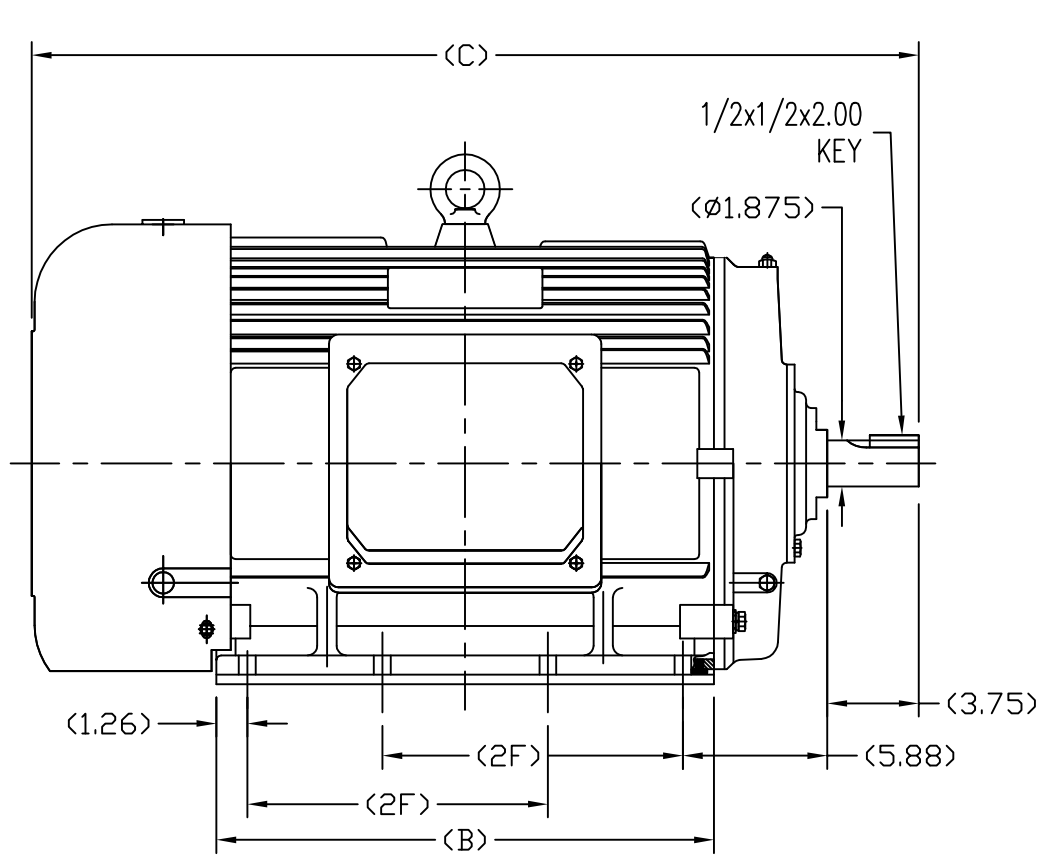


SS620284



364TS	34.57	18.5	11.25
365TS	36.34	20.28	12.25
Frame	C	B	2F

		TOLERANCES UNLESS SPECIFIED				DRAWN CL 02-21-2010	
DEC.	INCHES	XX	±.03			CHK	
		.X	±.1	APPD			
		.XX	±.03	TITLE	OUTLINE		SCALE 1=5
		.XXX	±.005		364/365TS FR-TEFC-CAST IRON		REF
		.XXXX	±.0005	MAT'L.			FMF HWADA
NO.	REVISION	BY & DATE	CHK ANG ±1/2	FINISH			PREV
THIS DRAWING IN DESIGN AND DETAIL IS OUR PROPERTY AND MUST NOT BE USED EXCEPT IN CONNECTION WITH OUR WORK ALL RIGHTS OF DESIGN AND INVENTION ARE RESERVED THIS IS AN ELECTRONICALLY GENERATED DOCUMENT - DO NOT SCALE THIS PRINT				RFP	CAD FILE	SS620284	SIZE B
				DIST			DRAWING NO. SS620284
							REV.