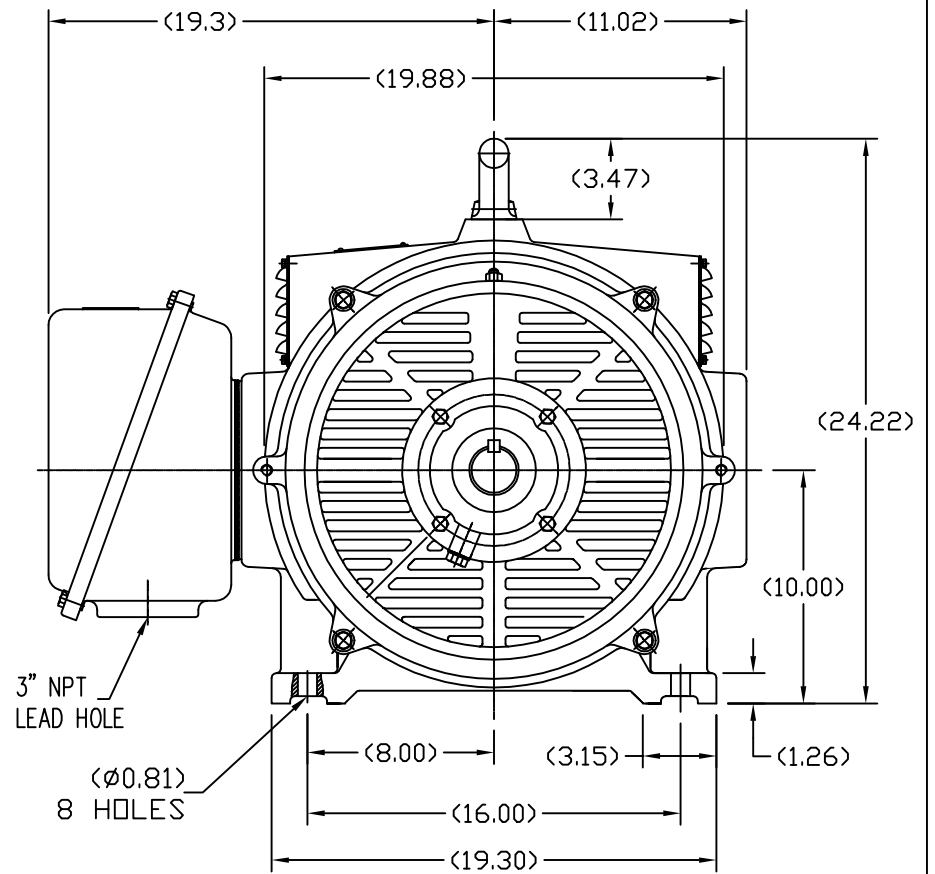
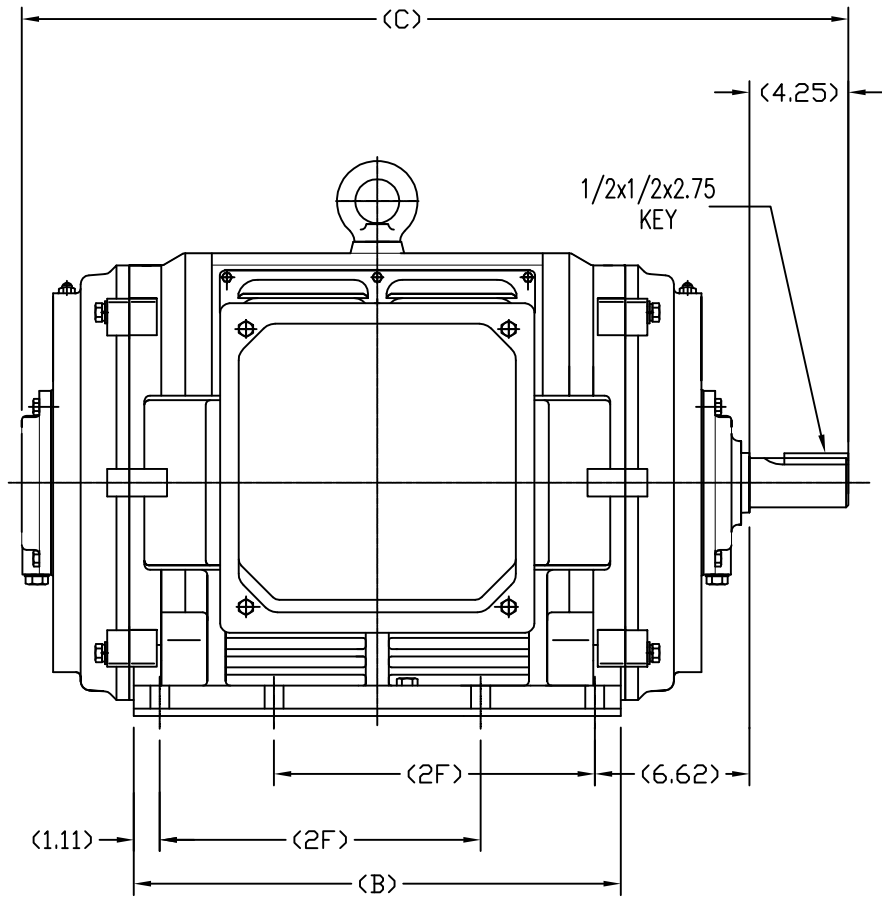


SS620254



404TS	33.86	19.29	12.25
405TS	35.44	20.87	13.75
Frame	C	B	2F

		TOLERANCES UNLESS SPECIFIED		REGAL-BELOIT CORPORATION		DRAWN CL 03-04-2010	
		DEC.	INCHES			CHK ZYH 03-04-2010	
		X	±.1	TITLE		APPD HZJ 03-04-2010	
		.XX	±.03	404/405TS FR-DDP-CAST IRON		SCALE 1=75	
		.XXX	±.005	MAT'L		REF	
		.XXXX	±.0005	FINISH		FMF HWADA	
NO. REVISION		BY & DATE		CHK	ANG	±1/2"	PREV
THIS DRAWING IN DESIGN AND DETAIL IS OUR PROPERTY AND MUST NOT BE USED EXCEPT IN CONNECTION WITH OUR WORK ALL RIGHTS OF DESIGN AND INVENTION ARE RESERVED THIS IS AN ELECTRONICALLY GENERATED DOCUMENT - DO NOT SCALE THIS PRINT				RFP	CAD FILE	SS620254	SIZE B
				DIST	DRAWING NO. SS620254		REV.