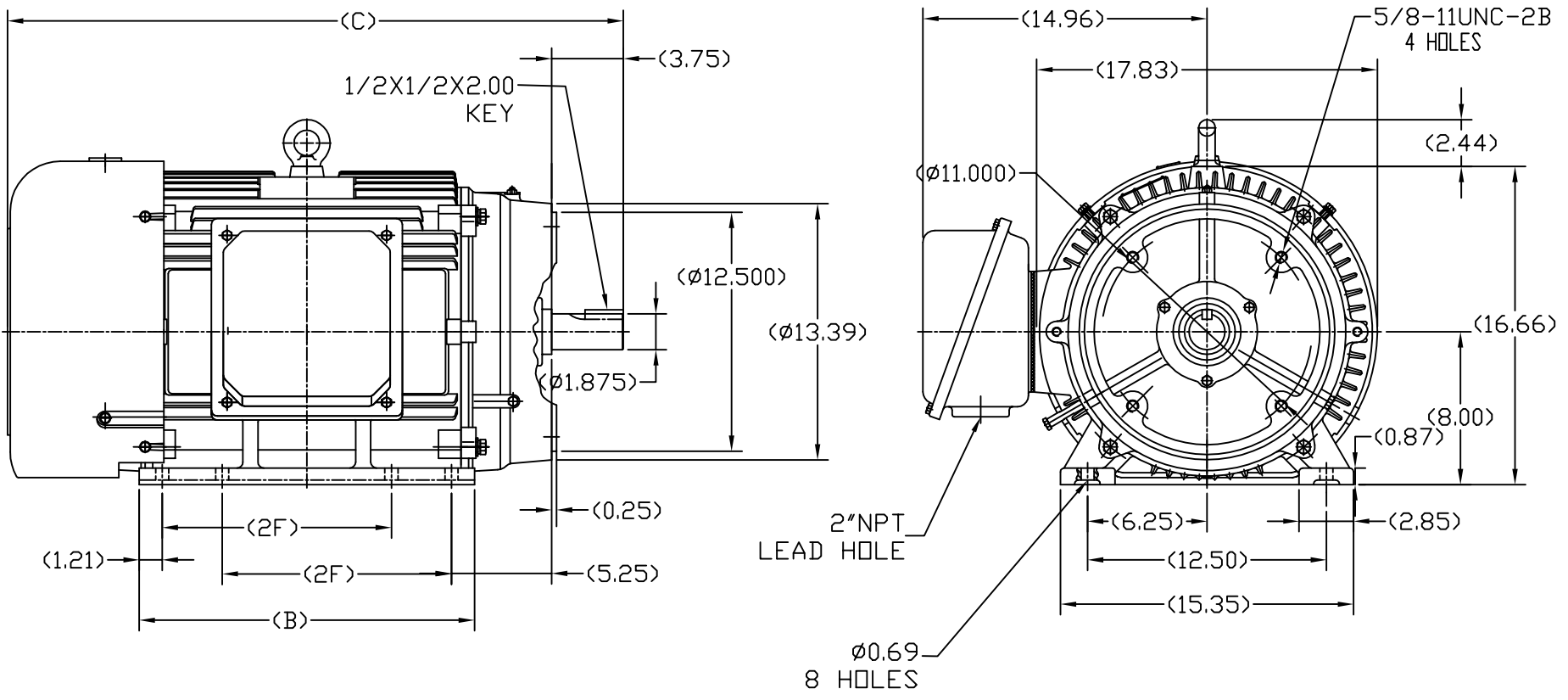


SS620302



324TSC	31.18	16.38	10.50
326TSC	32.36	17.56	12.00
FRAME	C	B	2F

TOLERANCES UNLESS SPECIFIED		REGAL-BELOIT CORPORATION		DRAWN SY 4-21-2010	
DEC.	INCHES	CHK	HZJ	APPD	CL 4-21-2010
.X	±.1				
.XX	±.03				SCALE 1=7
.XXX	±.005				REF
.XXXX	±.0005				FMF HWADA
NO.	REVISION	BY & DATE	CHK	ANG	±1/2
THIS DRAWING IN DESIGN AND DETAIL IS OUR PROPERTY AND MUST NOT BE USED EXCEPT IN CONNECTION WITH OUR WORK ALL RIGHTS OF DESIGN AND INVENTION ARE RESERVED THIS IS AN ELECTRONICALLY GENERATED DOCUMENT - DO NOT SCALE THIS PRINT			RFP	CAD FILE	SS620302
			DIST	SIZE	DRAWING NO.
				B	SS620302
					REV.