

4

3

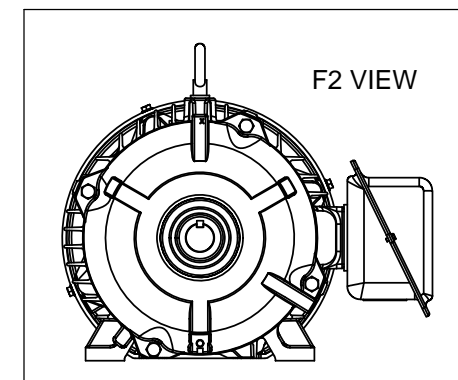
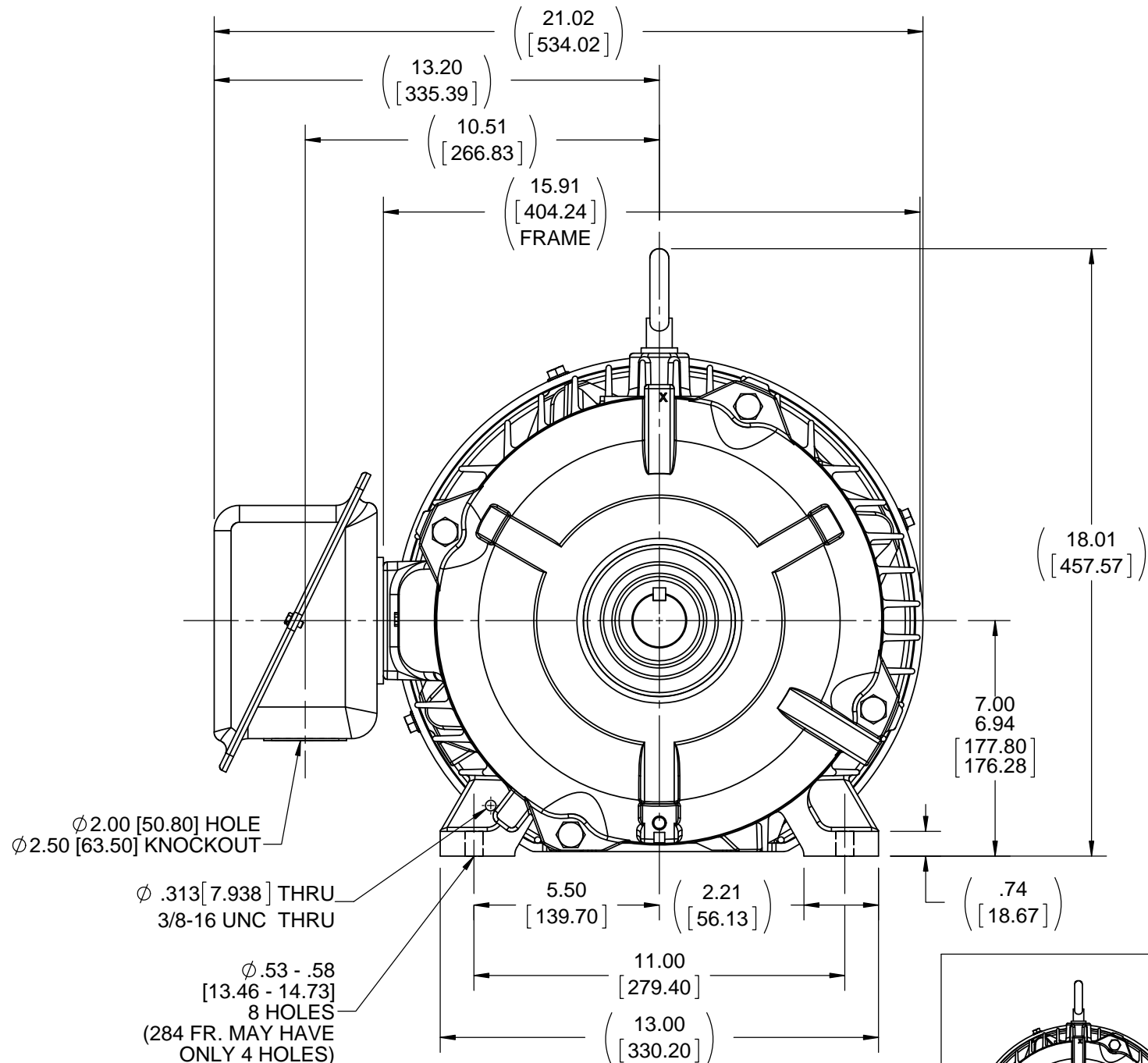
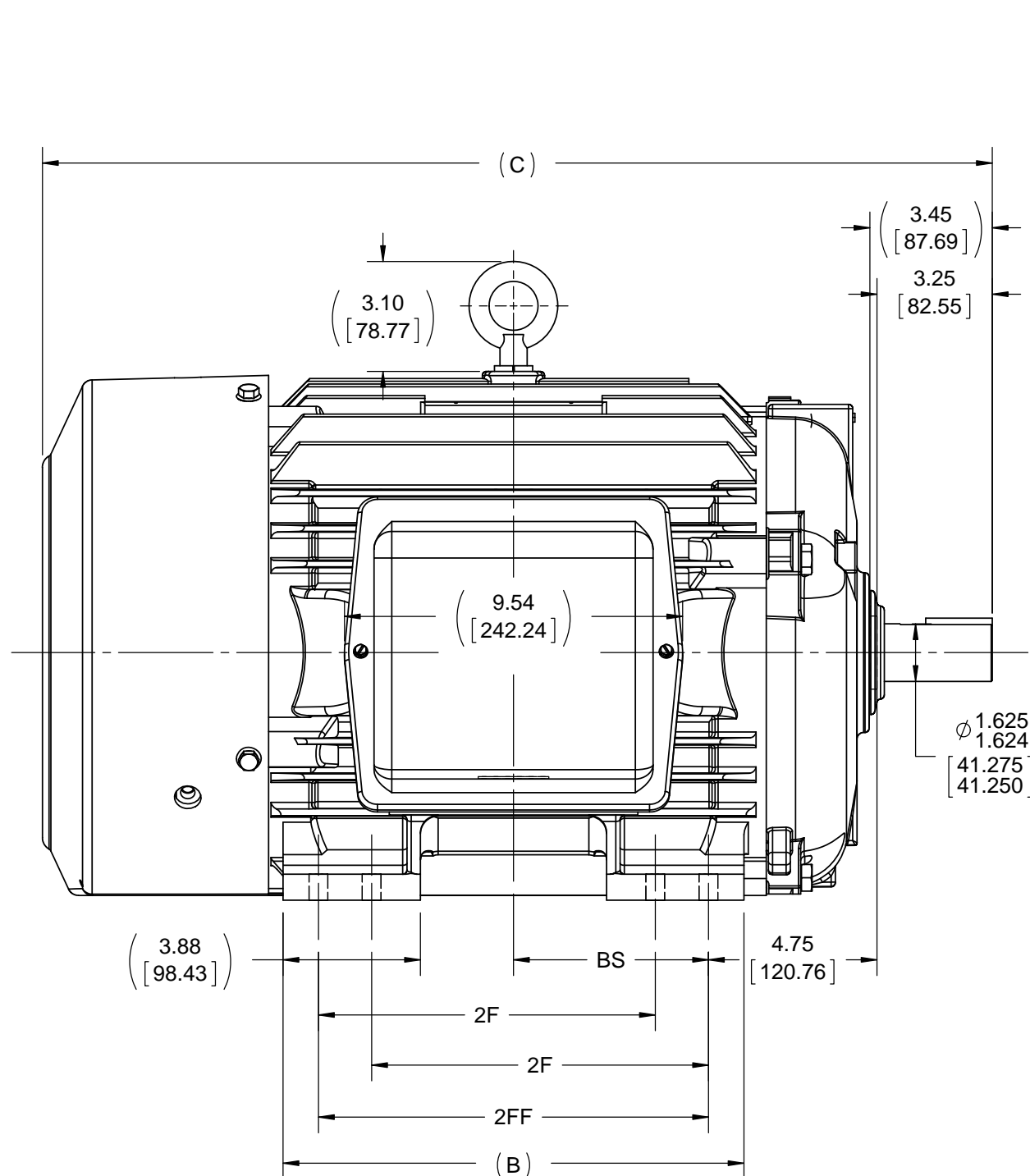
Uncontrolled Copy

2

1

B

B



NOTES:

1. CONDUIT BOX CAN BE ROTATED IN 90° STEPS.
2. CONDUIT BOX CAN BE MOUNTED ON OPPOSITE SIDE BY REMOVING BRACKETS AND TURNING FRAME 180°.
3. NAMEPLATE TO BE READ FROM CONDUIT BOX SIDE OF MOTOR.

DRAWING REVISION G	REVISION BY T. VUE	DATE 11-11-2016
ECO ECO-0112892	APPROVED BY T. BROWN	DATE 11-11-2016

TOLERANCES UNLESS OTHERWISE SPECIFIED:

DEC.	INCH	mm	ANGLE
.X	±0.1	[±2.5]	±7° 30"
.XX	±0.03	[±0.76]	
.XXX	±0.005	[±0.127]	
.XXXX	±0.0005	[±0.0127]	

REMOVE BURRS & BREAK SHARP EDGES: .003/.015 [0.076/.381] X 45°
CORNER FILLETS: R.02 [0.51]
MACHINED SURFACES: 200 INCH/mm 5.1
mm SHOWN IN [BRACKETS]

DRAWN BY DAH	DATE 03-28-2001
APPROVED BY BW	DATE 03-28-2001
REFERENCE	THIRD ANGLE PROJECTION

REGAL ™ Regal Beloit America, Inc.	
DESCRIPTION OUTLINE 280TS FR. - TEFC - 12.50 LAM.	
MATERIAL	PROCESS/FINISH
SIZE B	DRAWING NUMBER SS311134
SHEET 1 OF 1	

DASH	FRAME	B	C	2F	2FF	BS
1275	284TS	12.50 [317.50]	25.29 [642.37]	-	9.50 [241.30]	4.75 [120.65]
1425	284TS / 286TS	13.00 [330.20]	26.79 [680.47]	9.50 [241.30]	11.00 [279.40]	5.50 [139.70]

4

3

2

1

A

A