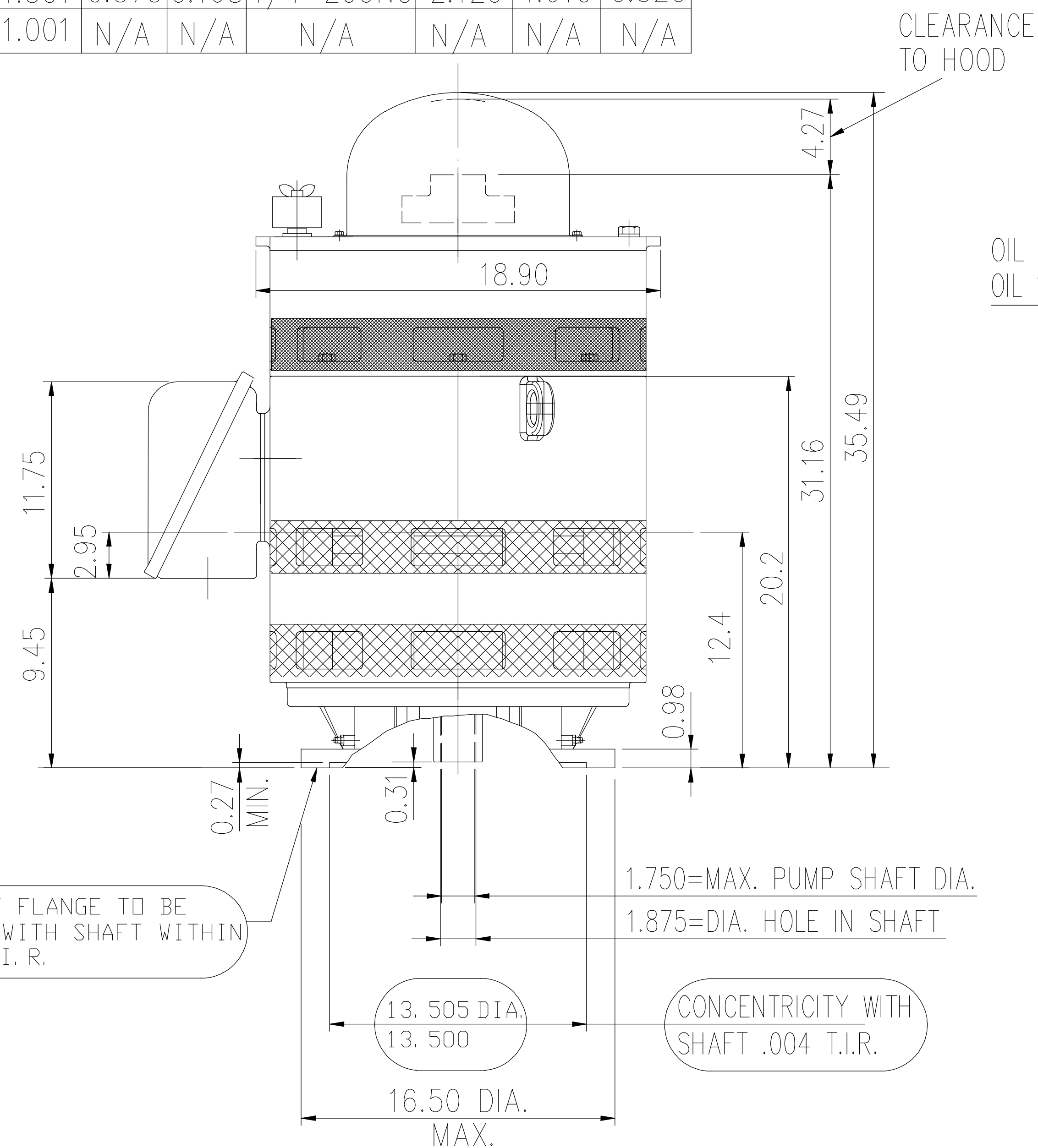


COUPLING	BX DIA.	KEYWAY		BY	BZ	XF	XC
		WIDE	DEEP				
	1.001	0.250	0.140	10-32UNF	1.375	1.610	0.320
	1.188	0.250	0.140	1/4-20UNC	1.750	1.610	0.320
	1.251	0.250	0.140	1/4-20UNC	1.750	1.610	0.320
	1.251	0.375	0.164	1/4-20UNC	1.750	1.610	0.320
	1.438	0.375	0.167	1/4-20UNC	2.120	1.610	0.320
	1.501	0.375	0.168	1/4-20UNC	2.120	1.610	0.320
	1.001	N/A	N/A	N/A	N/A	N/A	N/A



FACE OF FLANGE TO BE SQUARE WITH SHAFT WITHIN .007 T. I. R.

1.750=MAX. PUMP SHAFT DIA.
1.875=DIA. HOLE IN SHAFT

13.505 DIA.
13.500

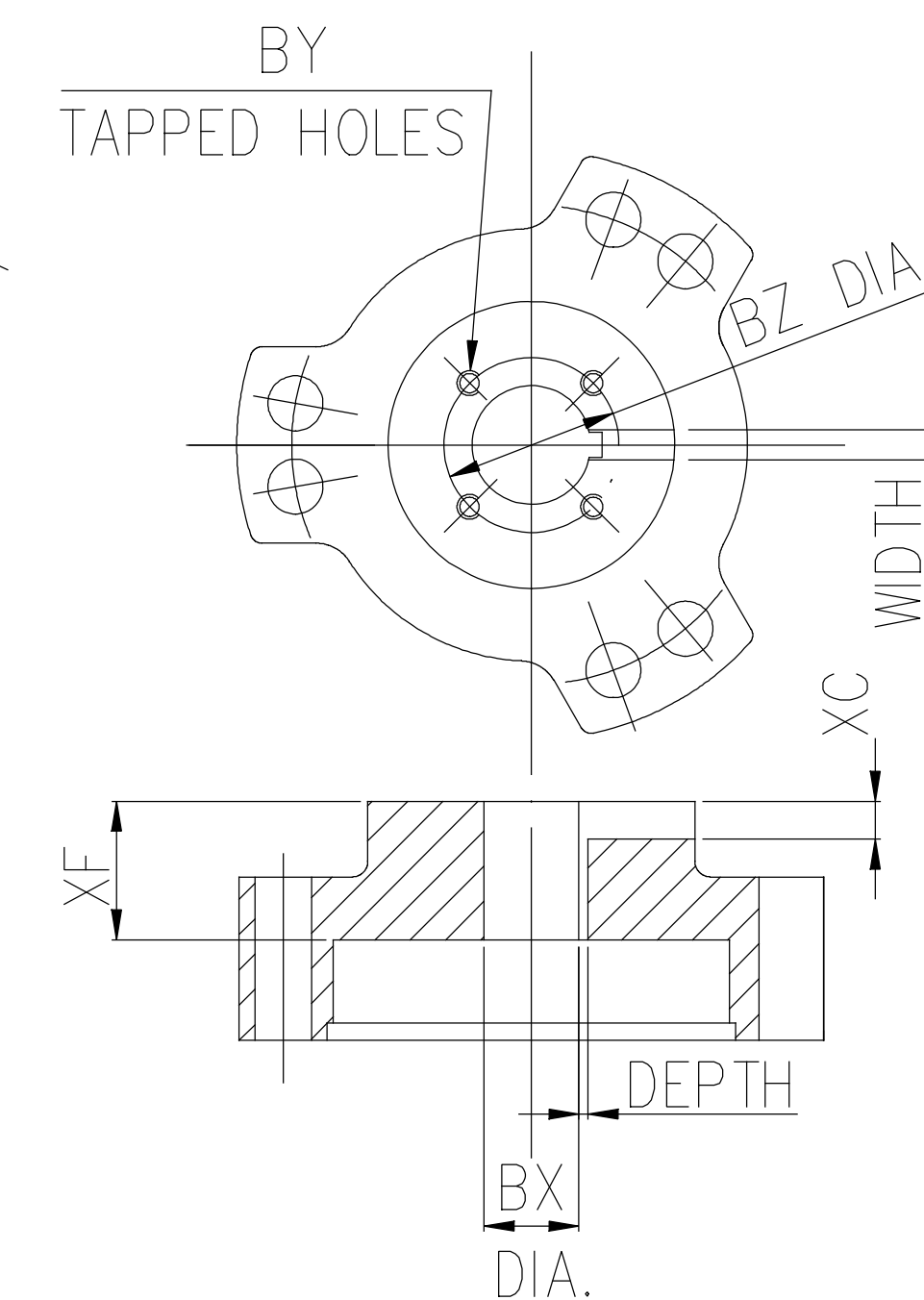
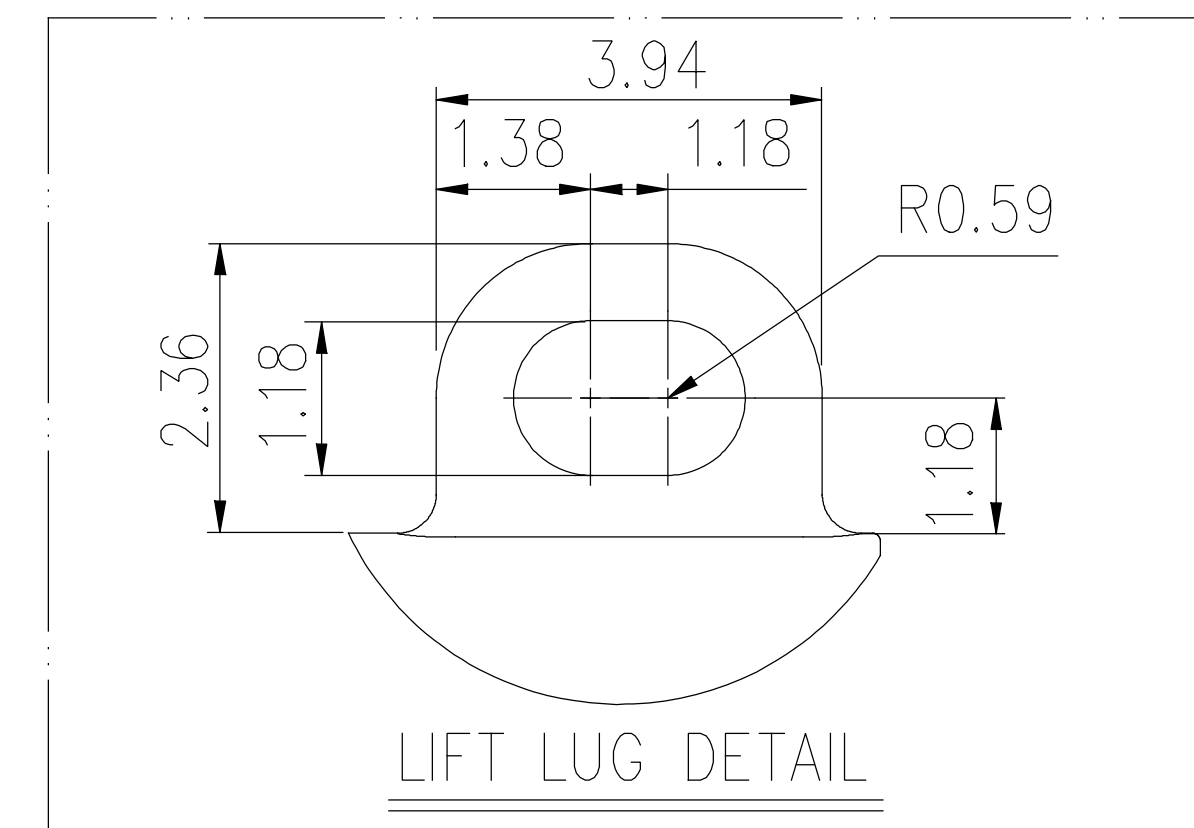
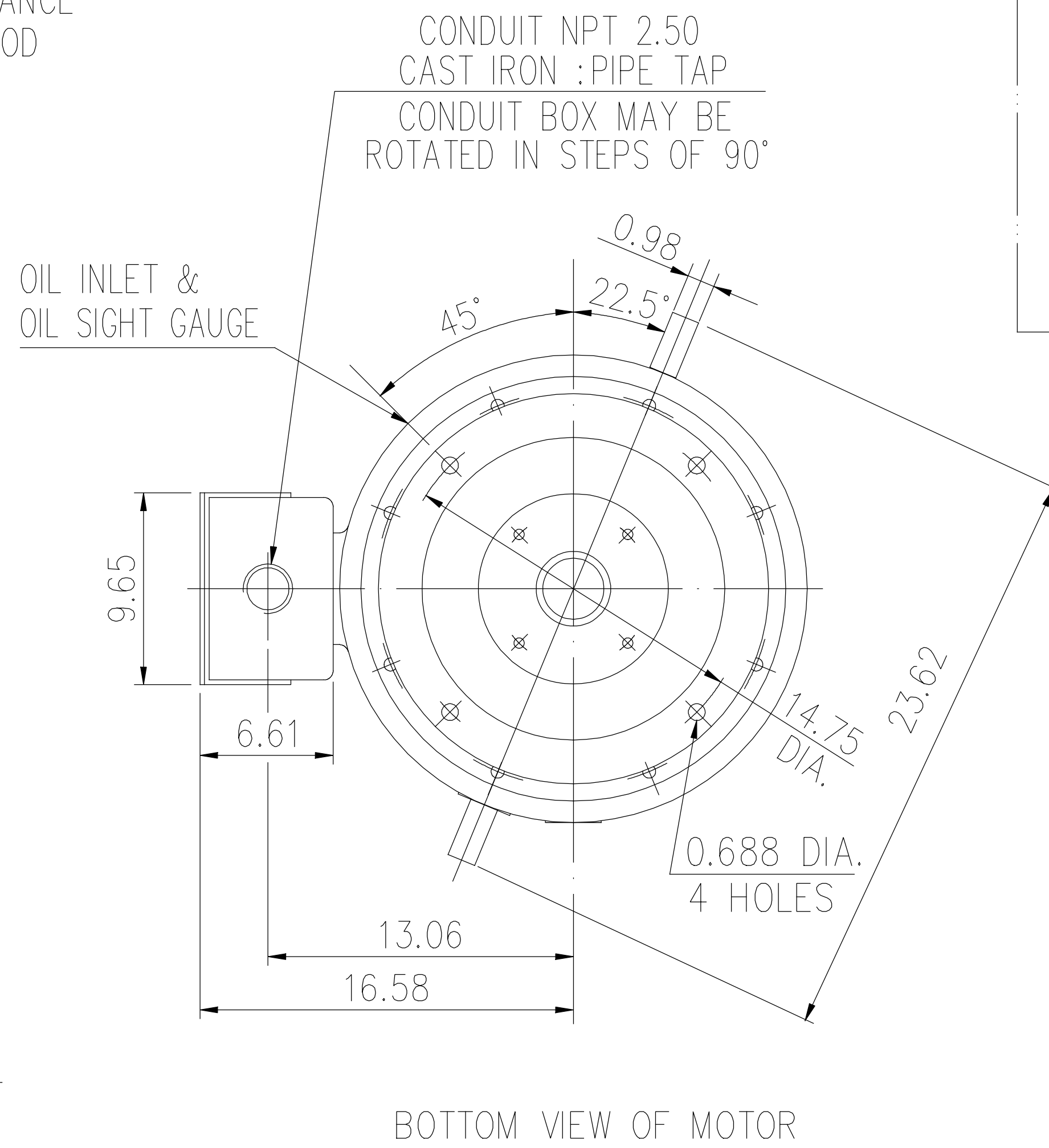
CONCENTRICITY WITH SHAFT .004 T.I.R.

16.50 DIA. MAX.

- (1) DIMENSIONS ARE IN INCHES.
- (2) DRIVE END BEARING 6313
OPPOSITE DRIVE END BEARING 7219B
- (3) APPROXIMATE WEIGHT = 1085 LBS

(4) END OF LINE TESTS - SPECIFIC TO EACH RATING

- *NO LOAD AMPS @ FULL VOLTAGE
- *NO LOAD WATTS @ FULL VOLTAGE
- *VIBRATION MEETS MG-1 STANDARD
- BALANCE 0.15 IN/S 3.8 MM/S



		TOLERANCES UNLESS SPECIFIED		REGAL REGAL-BELOIT CORPORATION		DRAWN	
		DEC.	INCHES			CHK	
		.X	±.1	TITLE		APPD	
		.XX	±.03	OUTLINE		SCALE	
B	UPDATED PER MARK-UPS ECO-0151417	WGJ	9-11-2018	AL	±.005	364/365TP16 FRAME	
A	RELEASED FOR PRODUCTION ECO-0125213	WGJ	6-13-2017	AL	±.0005	REF	
NO.	REVISION	BY & DATE	CHK	ANG	±7'30"	FMF	
THIS DRAWING IN DESIGN AND DETAIL IS OUR PROPERTY AND MUST NOT BE USED EXCEPT IN CONNECTION WITH OUR WORK ALL RIGHTS OF DESIGN AND INVENTION ARE RESERVED THIS IS AN ELECTRONICALLY GENERATED DOCUMENT - DO NOT SCALE THIS PRINT				RFP	CAD FILE	SIZE	DRAWING NO.
				DIST		B	SS620841
							REV. B