

4

3

Uncontrolled Copy

2

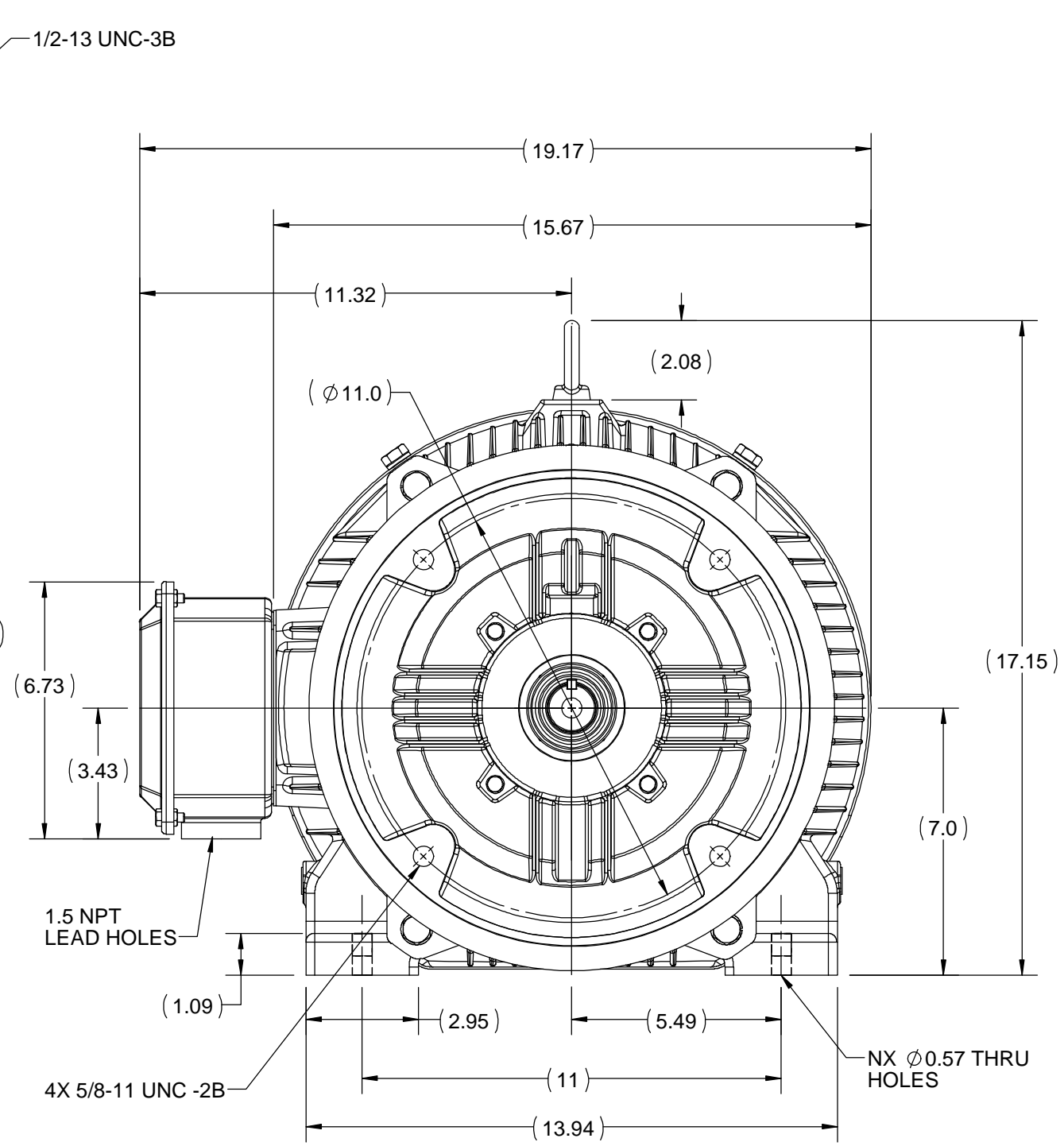
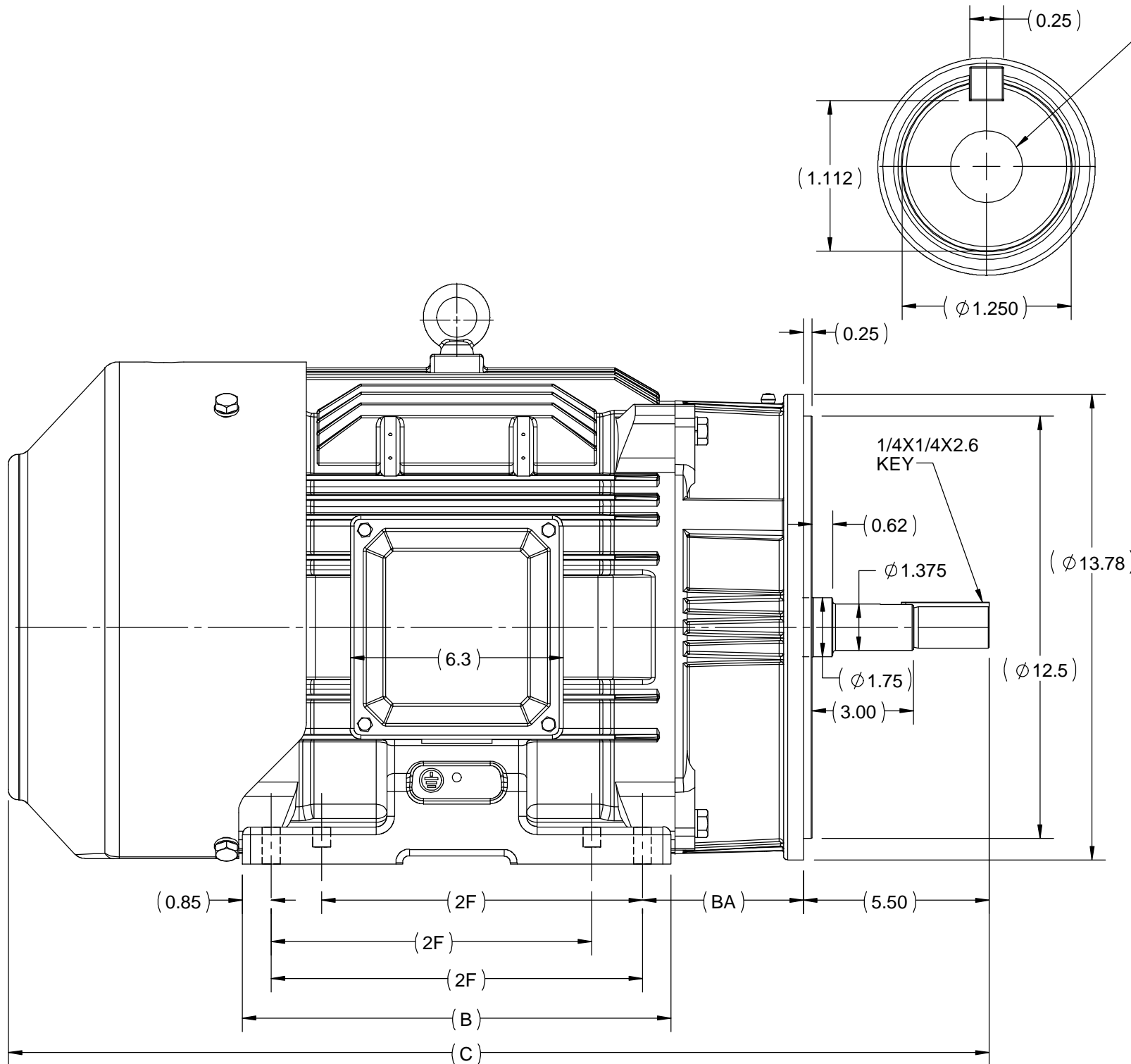
1

B

B

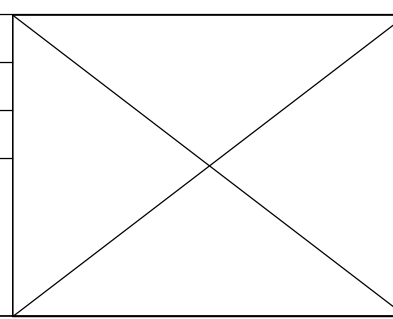
A


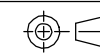
A



286-JM	12.32	29.02	11	8	4.75
284-JM	10.82	27.52	9.5	4	4.75
FRAME	B	C	2F	N	BA

DRAWING REVISION C  
 REVISION BY S.MUDDA  
 DATE 31/8/2018  
 ECO ECO-0151027  
 APPROVED BY JAY  
 DATE 31/8/2018  
 ECO DESCRIPTION  
 OUTLINE UPDATED AS PER NEW 3D STRUCTURING  
 COPYRIGHT REGAL BELOIT AMERICA, INC. ALL RIGHTS RESERVED.  
 PROPRIETARY AND CONFIDENTIAL INFORMATION - THIS DOCUMENT IS THE PROPERTY OF REGAL BELOIT AMERICA, INC. ("OWNER") AND CONTAINS OWNER'S PROPRIETARY INFORMATION. ANY PERSON, CORPORATION OR OTHER FIRM RECEIVING IT IS DEEMED, BY RECEIVING IT, TO AGREE THAT IT, AND/OR ANY PART OF IT, SHALL NOT BE DISCLOSED TO ANY PERSON, CORPORATION OR OTHER ENTITY, DUPLICATED, AND/OR USED, EXCEPT AS EXPRESSLY APPROVED IN WRITING IN ADVANCE BY OWNER. THIS DOCUMENT SHALL BE RETURNED TO OWNER UPON REQUEST. IT MAY BE SUBJECT TO CERTAIN RESTRICTIONS UNDER APPLICABLE EXPORT CONTROL LAWS AND REGULATIONS.



DRAWN BY SN	 <b>REGAL-BELOIT CORPORATION</b>	
DATE 12/04/2017		
APPROVED BY SBD	DESCRIPTION	
DATE 12/04/2017	<b>OUTLINE</b> <b>TEFC-284/286 JM FR-CAST IRON</b>	
REFERENCE	MATERIAL	PROCESS/FINISH
THIRD ANGLE PROJECTION 	SIZE B	DRAWING NUMBER <b>SS620797</b>
		SHEET 1 OF 1

4

3

2

1