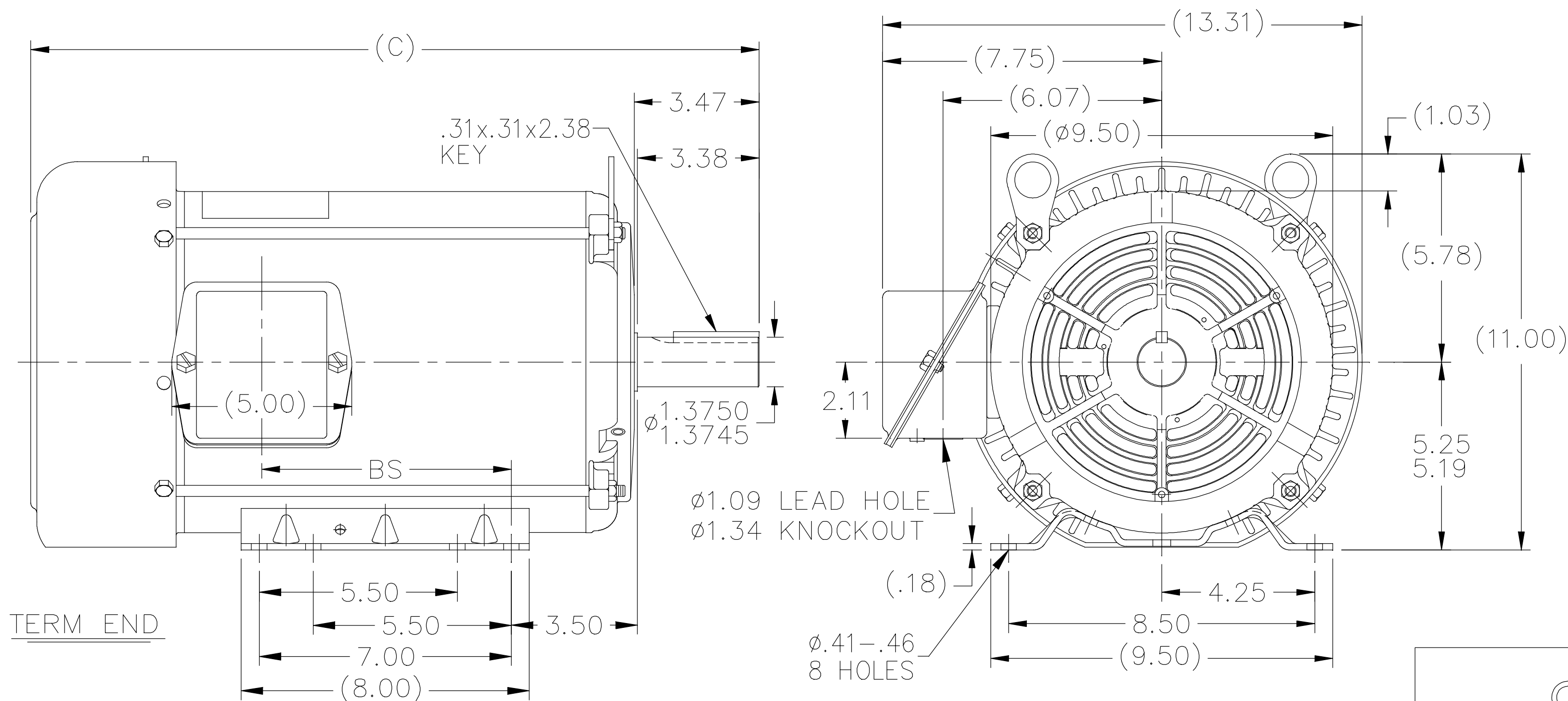
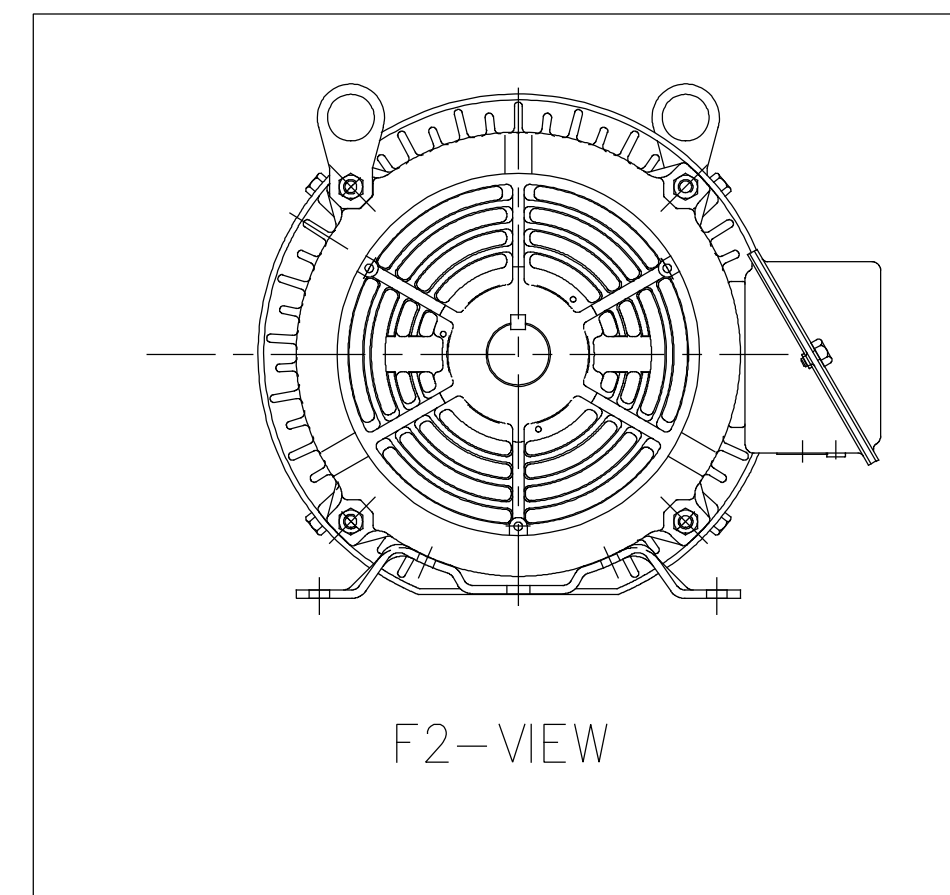


SS88975



TERM END



- NOTES:
1. NAMEPLATE TO BE READ FROM C'BOX SIDE OF MOTOR.
  2. BOX CAN BE MOUNTED IN 90° STEPS.
  3. BOX CAN BE MOUNTED ON OPPOSITE SIDE BY REMOVING BRACKETS AND TURNING FRAME 180°. (EXCEPT AS NOTED.)

DASH	FR.	C	BS	MOUNTING
965	213T	18.73	5.43	
1115	213/15T	20.23	6.93	F2 ONLY
1240	213/15T	21.48	8.18	F1 ONLY OR F2 ONLY

NO.	REVISION	BY & DATE	CHK	TOLERANCES UNLESS SPECIFIED		REGAL™ Regal Beloit America, Inc.	DRAWN ERH 12-08-2003							
				DEC.	INCHES		CHK	ML	APPD	DR				
4	UPDTED F2 ONLY FOR 1115 CONFIG PER ECO-0168214	VMR 06/03/2019	RG	.X	±.1	TITLE OUTLINE 210T FR.-BB-TS-TEFC-R/S	APPD	DR	12-09-2003	SCALE	1=4			
3	NOTE UPDATED	SAJ 08/24/15	SR	.XX	±.03		REF							
2	TITLE BLOCK LOGO CHANGE PER ECO-0078542	MDV 06/09/2015		.XXX	±.005	MAT'L.	FMF	MU	49283					
1	REMOVE HOLE AND BOLT SIDE VIEW CN24453	RWR 01/30/2004	ML	.XXXX	±.0005		FINISH	PREV						
				RFP	12-09-2003	CAD FILE	ss88975	SIZE	A	DRAWING NO.	SS88975	PAGE	OF	REV.
				DIST	LB									4

THIS DRAWING IN DESIGN AND DETAIL IS OUR PROPERTY AND MUST NOT BE USED EXCEPT IN CONNECTION WITH OUR WORK ALL RIGHTS OF DESIGN AND INVENTION ARE RESERVED THIS IS AN ELECTRONICALLY GENERATED DOCUMENT - DO NOT SCALE THIS PRINT