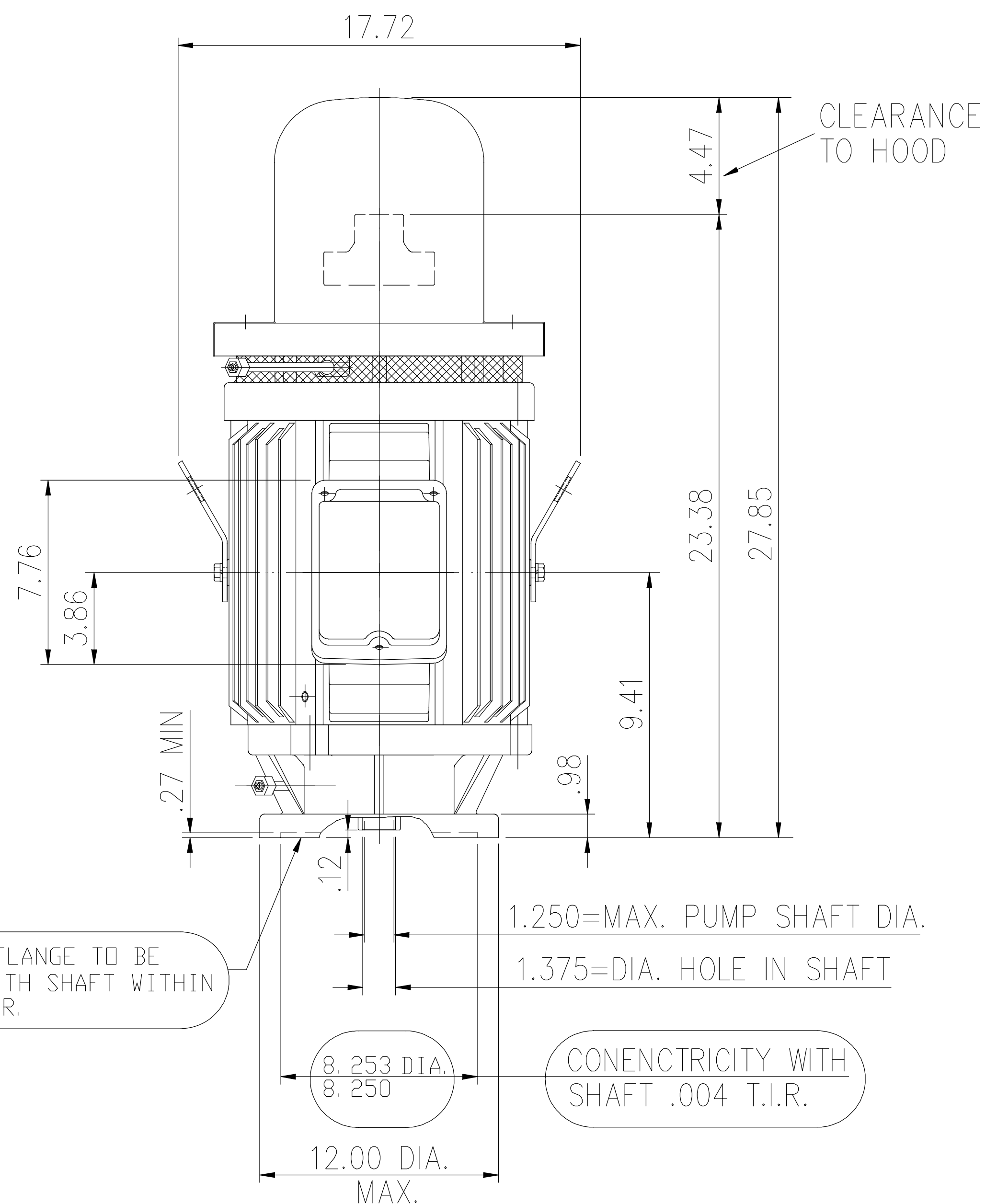
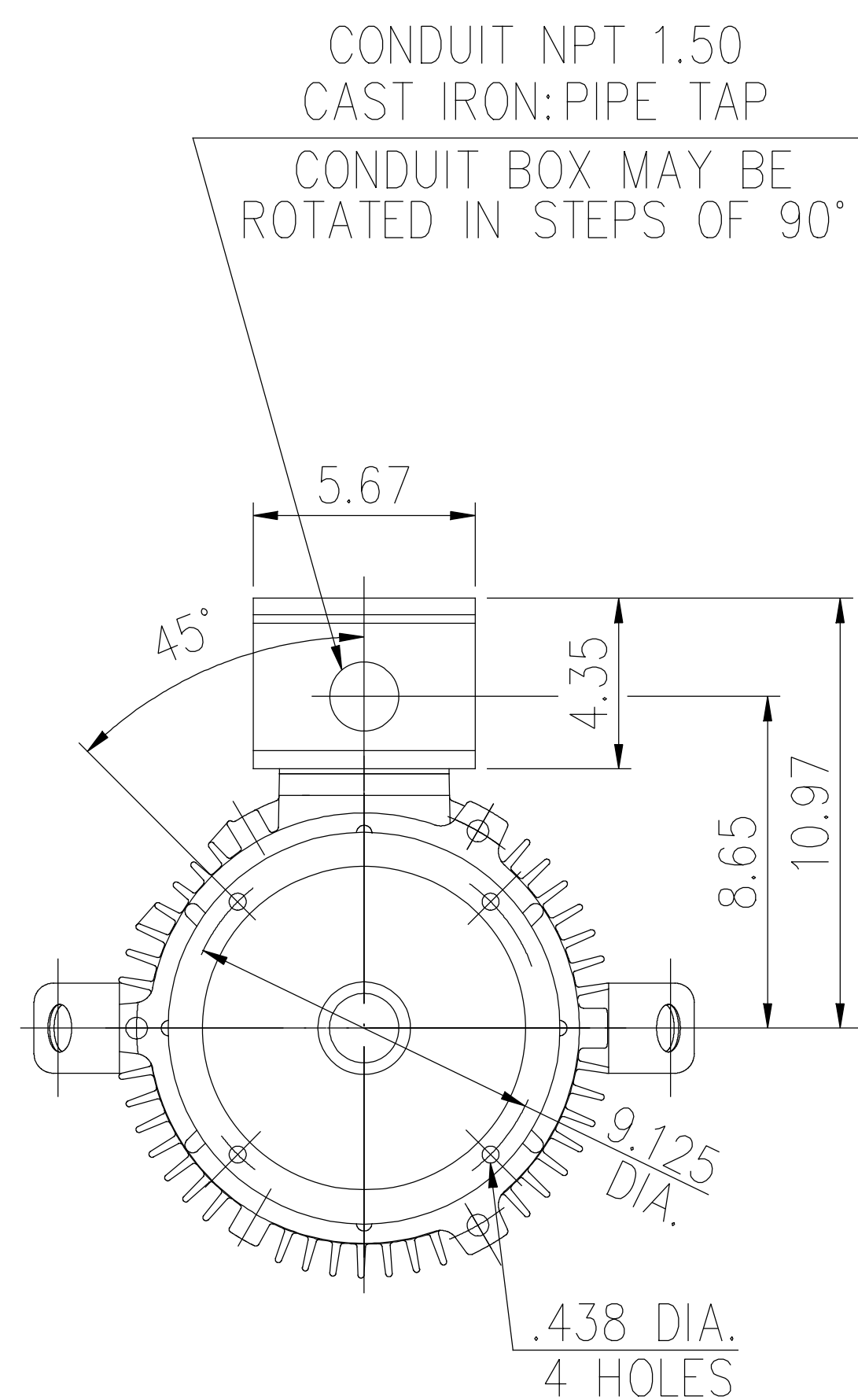


COUPLING	BX DIA.	KEYWAY		BY	BZ	XF	XC
		WIDE	DEEP				
	1.001	0.250	0.140	10-32UNF	1.375	1.650	0.430
	1.188	0.250	0.140	1/4-20UNC	1.750	1.650	0.430
	1.251	0.250	0.140	1/4-20UNC	1.750	1.650	0.430
	0.751	N/A	N/A	N/A	N/A	N/A	N/A

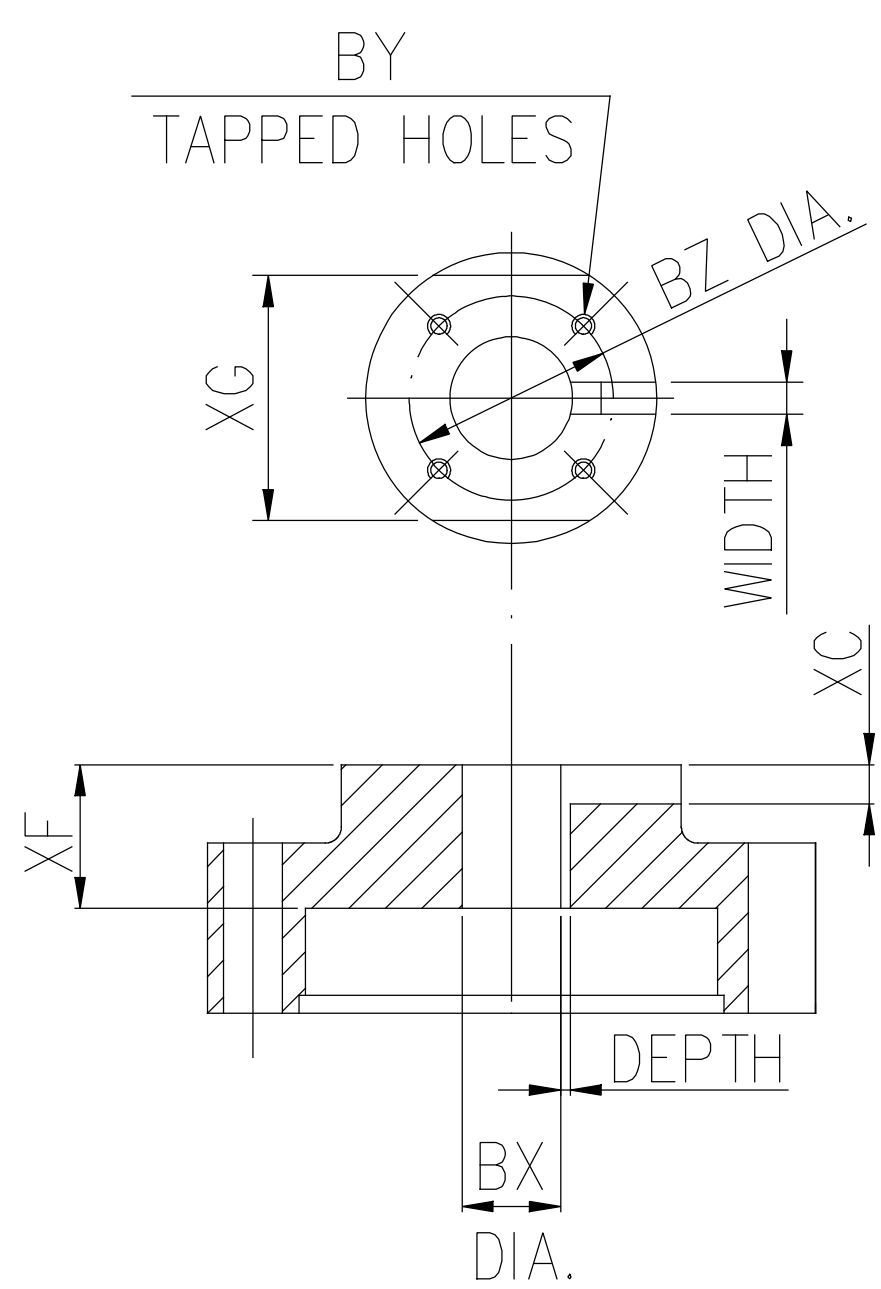
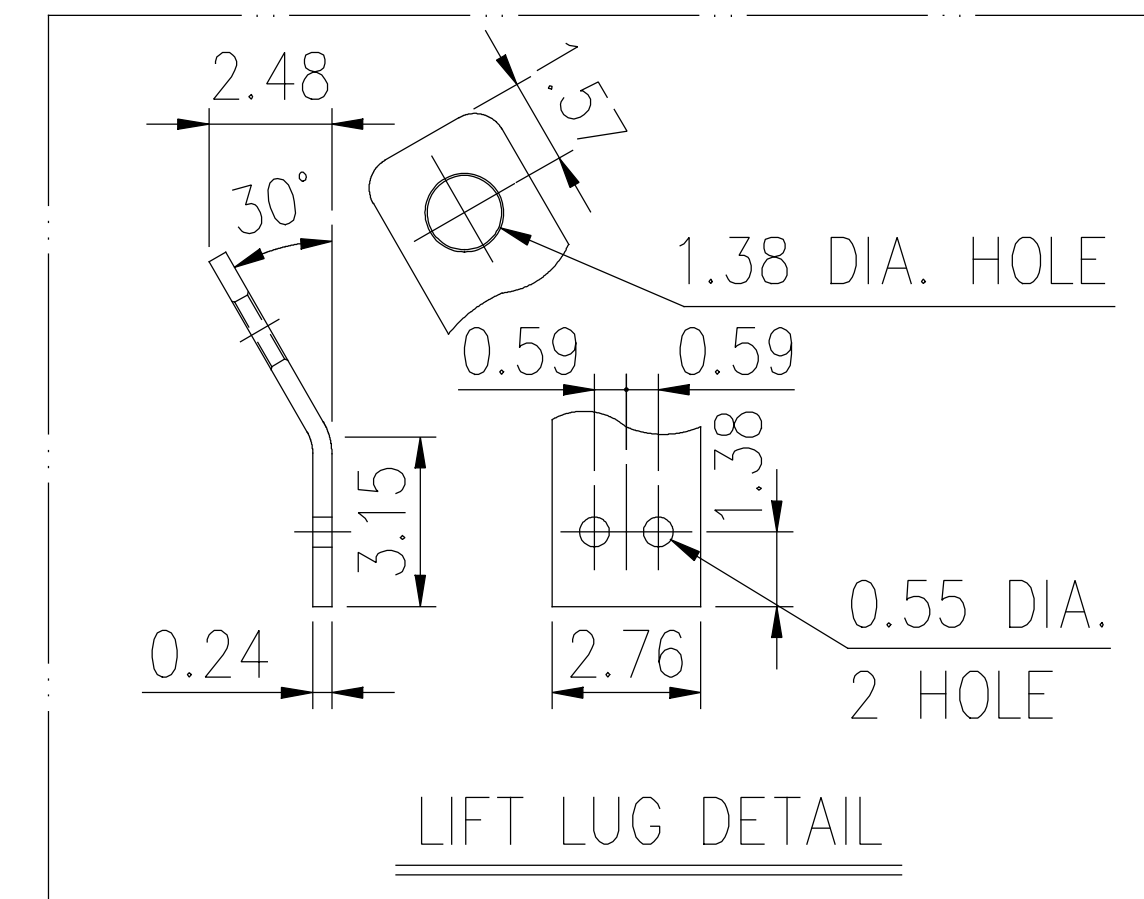


FACE OF FLANGE TO BE SQUARE WITH SHAFT WITHIN .004 T. I. R.

CONENCTRICITY WITH SHAFT .004 T.I.R.



BOTTOM VIEW OF MOTOR



COUPLING

- (1) DIMENSIONS ARE IN INCHES.
- (2) DRIVE END BEARING 6309
OPPOSITE DRIVE END BEARING 7311B
- (3) APPROXIMATE WEIGHT = 370 LBS

(4) END OF LINE TESTS - SPECIFIC TO EACH RATING
 *NO LOAD AMPS @ FULL VOLTAGE
 *NO LOAD WATTS @ FULL VOLTAGE
 *VIBRATION MEETS MG-1 STANDARD
 BALANCE 0.15 IN/S 3.8 MM/S

				TOLERANCES UNLESS SPECIFIED		REGAL REGAL-BELOIT CORPORATION		DRAWN		
				DEC.	INCHES			CHK		
				.X	±.1			APPD		
				.XX	±.03	TITLE		SCALE		
B	UPDATED PER MARK-UPS	ECO-0151417	WGJ 9-7-2018	AL	.XXX	±.005	OUTLINE		REF	
A	RELEASED FOR PRODUCTION	ECO-0125213	WGJ 6-13-2017	AL	.XXXX	±.0005	254/256TP12 FRAME		FMF	
NO.	REVISION		BY & DATE	CHK	ANG	±7'30"	FINISH		PREV	
THIS DRAWING IN DESIGN AND DETAIL IS OUR PROPERTY AND MUST NOT BE USED EXCEPT IN CONNECTION WITH OUR WORK ALL RIGHTS OF DESIGN AND INVENTION ARE RESERVED THIS IS AN ELECTRONICALLY GENERATED DOCUMENT - DO NOT SCALE THIS PRINT				RFP	CAD FILE			SIZE	DRAWING NO.	REV.
				DIST				B	SS620835	B