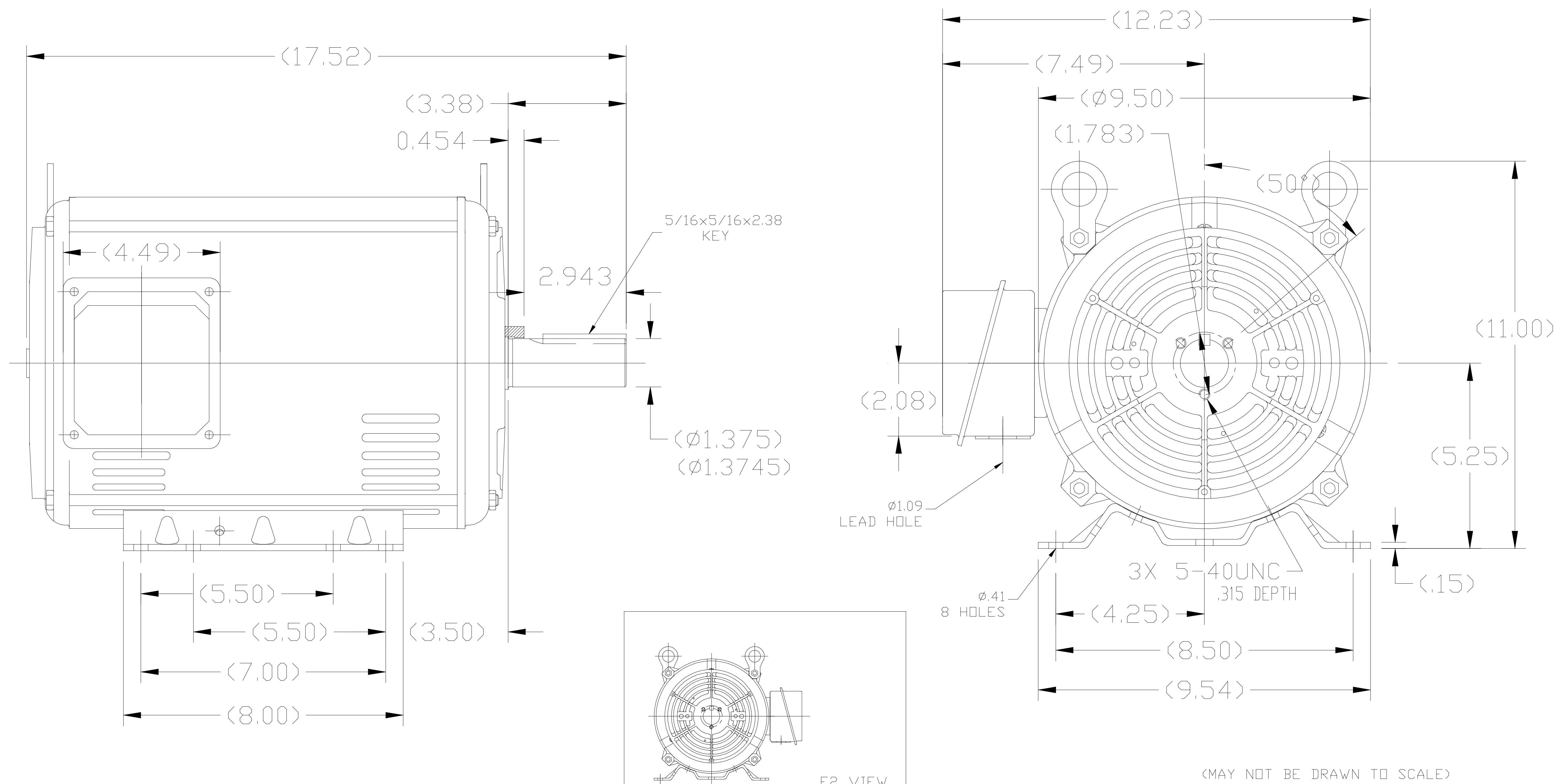
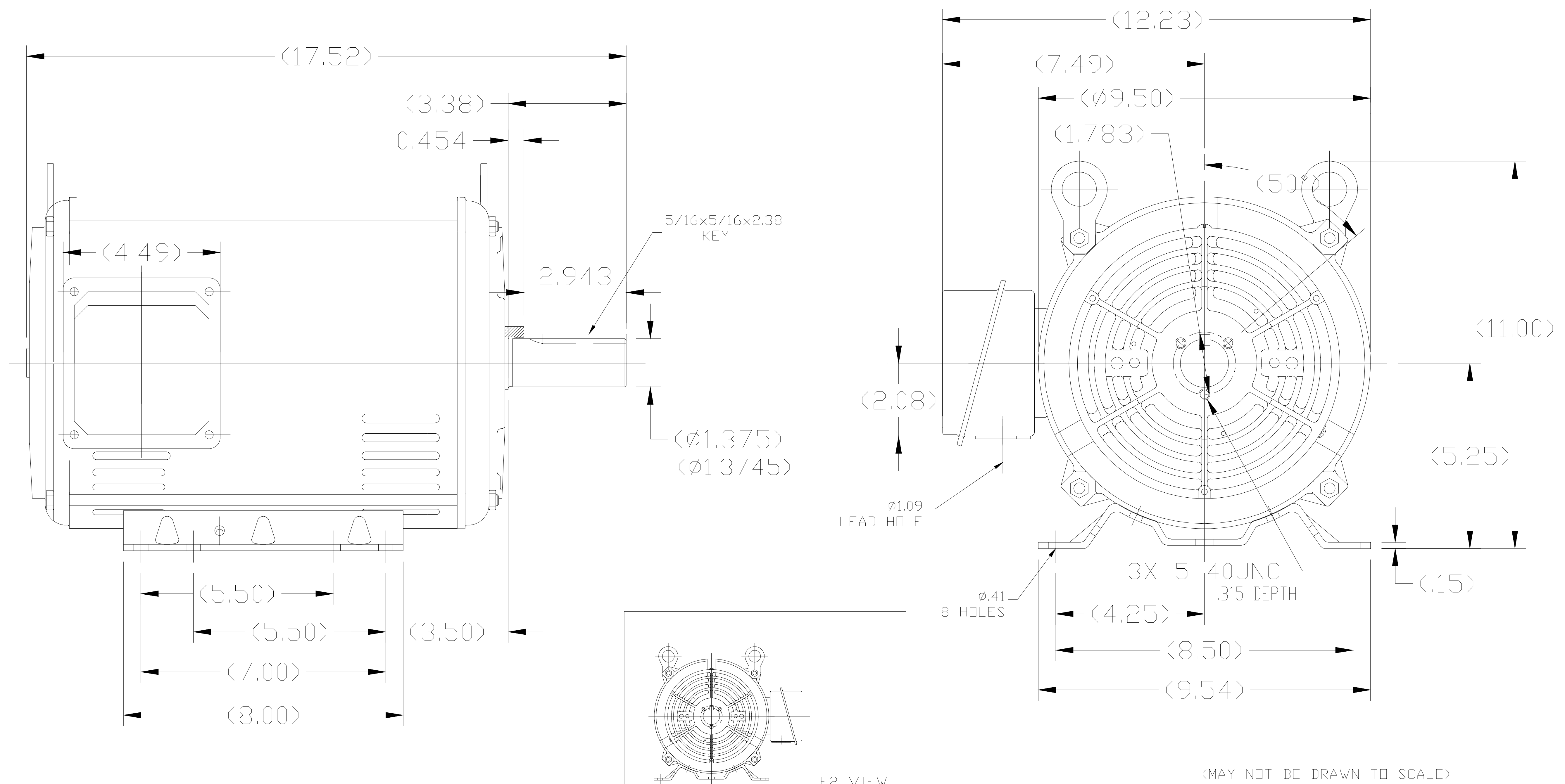


SS620684



		TOLERANCES UNLESS SPECIFIED		REGAL REGAL-BELOIT CORPORATION		DRAWN ZXW 04-16-2015	
		DEC.	INCHES			CHK ZL 04-16-2015	
		.X	$\pm .1$	TITLE 213/215T ODP-ROLLED STEEL		APPD ZYH 04-16-2015	
		.XX	$\pm .03$			SCALE	
		.XXX	$\pm .005$	MAT'L.		REF	
		.XXXX	$\pm .0005$			FMF REGAL-WUX1	
03	F2 VIEW ADDED PER ECO-0162175	NK	02-20-19	VY	.XXXX	$\pm .0005$	PREV
NO.	REVISION	BY & DATE	CHK	ANG	$\pm 1/2^\circ$	FINISH	
THIS DRAWING IN DESIGN AND DETAIL IS OUR PROPERTY AND MUST NOT BE USED EXCEPT IN CONNECTION WITH OUR WORK ALL RIGHTS OF DESIGN AND INVENTION ARE RESERVED THIS IS AN ELECTRONICALLY GENERATED DOCUMENT - DO NOT SCALE THIS PRINT				RFP	CAD FILE	SS620684	SIZE B
				DIST			DRAWING NO. SS620684
							REV. 3

SS620684



		TOLERANCES UNLESS SPECIFIED		REGAL REGAL-BELOIT CORPORATION		DRAWN ZXW 04-16-2015	
		DEC.	INCHES			CHK ZL 04-16-2015	
		.X	±.1	TITLE 213/215T ODP-ROLLED STEEL		APPD ZYH 04-16-2015	
		.XX	±.03			SCALE	
		.XXX	±.005			REF	
03	F2 VIEW ADDED PER ECO-0162175	NK 02-20-19	VY .XXXX ±.0005	MAT'L.		FMF REGAL-WUX1	
NO.	REVISION	BY & DATE	CHK ANG ±1/2°	FINISH		PREV	
THIS DRAWING IN DESIGN AND DETAIL IS OUR PROPERTY AND MUST NOT BE USED EXCEPT IN CONNECTION WITH OUR WORK ALL RIGHTS OF DESIGN AND INVENTION ARE RESERVED THIS IS AN ELECTRONICALLY GENERATED DOCUMENT - DO NOT SCALE THIS PRINT				RFP	CAD FILE	SS620684	SIZE B
				DIST		DRAWING NO. SS620684	REV. 3