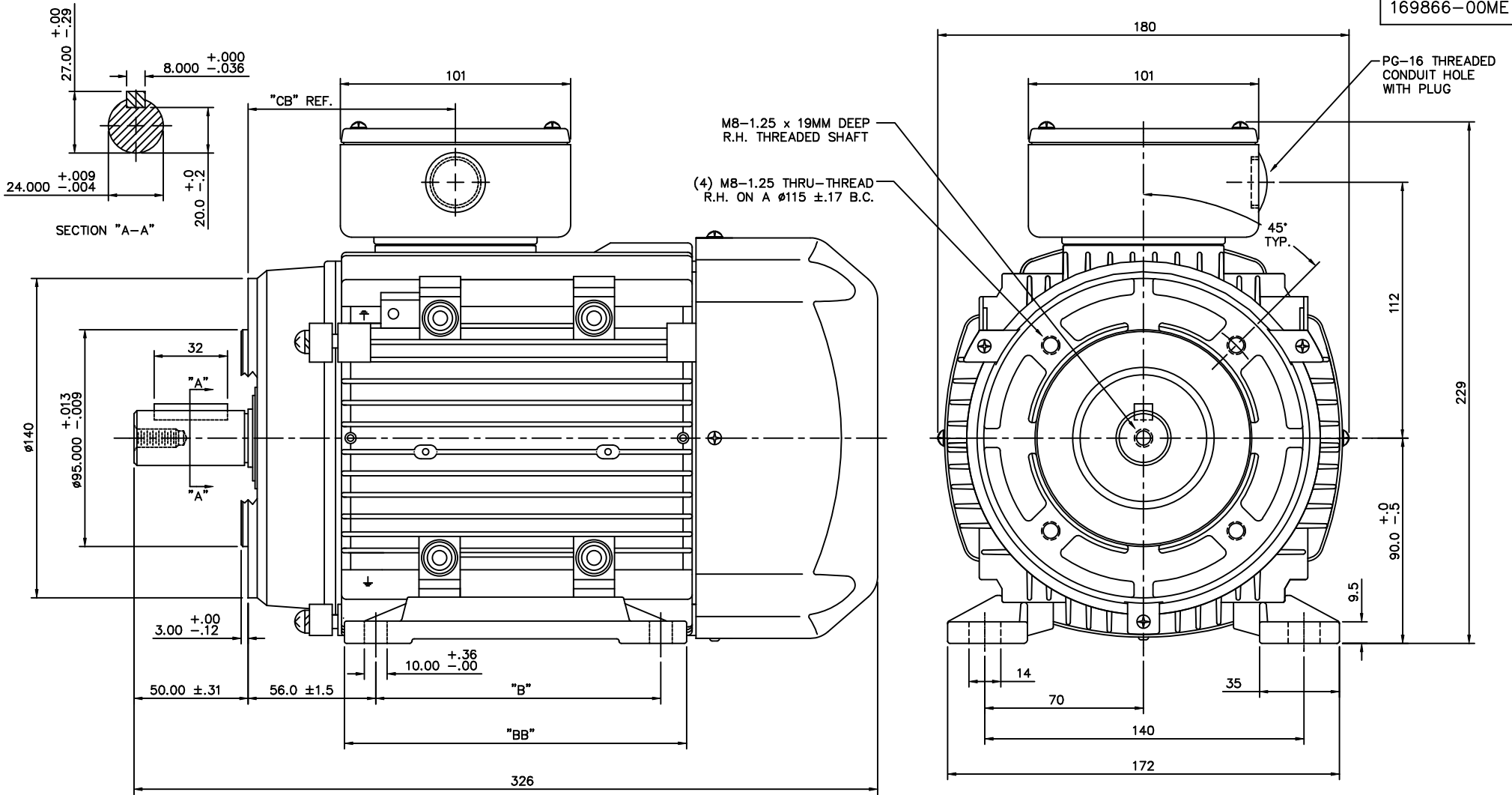


169866-00ME



FRAME DESIGN	"B"	"BB"	"CB"
90L	125 \pm 0.7	150	91
90S	100 \pm 0.7	125	79
XXX	XXX	XXX	XXX

		TOLERANCES UNLESS SPECIFIED		MARATHON ELECTRIC	DRAWN
NO.	REVISION	DEC.	METRIC		CHK
		.X	± 2.5	TITLE	ADS 01/30/02
		.XX	$\pm .76$	METRIC OUTLINE, IMB34	APPD
		.XXX	$\pm .127$	IEC-90 FRAME RIGID W/B14 FLANGE	SCALE 1=1.6
		.XXXX	$\pm .0127$	MAT'L ALUMINUM	REF OSVC-300-559
		CHK	ANG $\pm 1/2^\circ$	FINISH	FMF LE STOCK
		RFP		CAD FILE 16986600ME	PREV
THIS DRAWING IN DESIGN AND DETAIL IS OUR PROPERTY AND MUST NOT BE USED EXCEPT IN CONNECTION WITH OUR WORK ALL RIGHTS OF DESIGN AND INVENTION ARE RESERVED THIS IS AN ELECTRONICALLY GENERATED DOCUMENT - DO NOT SCALE THIS PRINT				SIZE	DRAWING NO.
		DIST		B	169866-00ME
					REV.

ERROR: syntaxerror
OFFENDING COMMAND: --nostringval--

STACK:

/terminate
-dictionary-
/Pscript_WinNT_Compat
-dictionary-