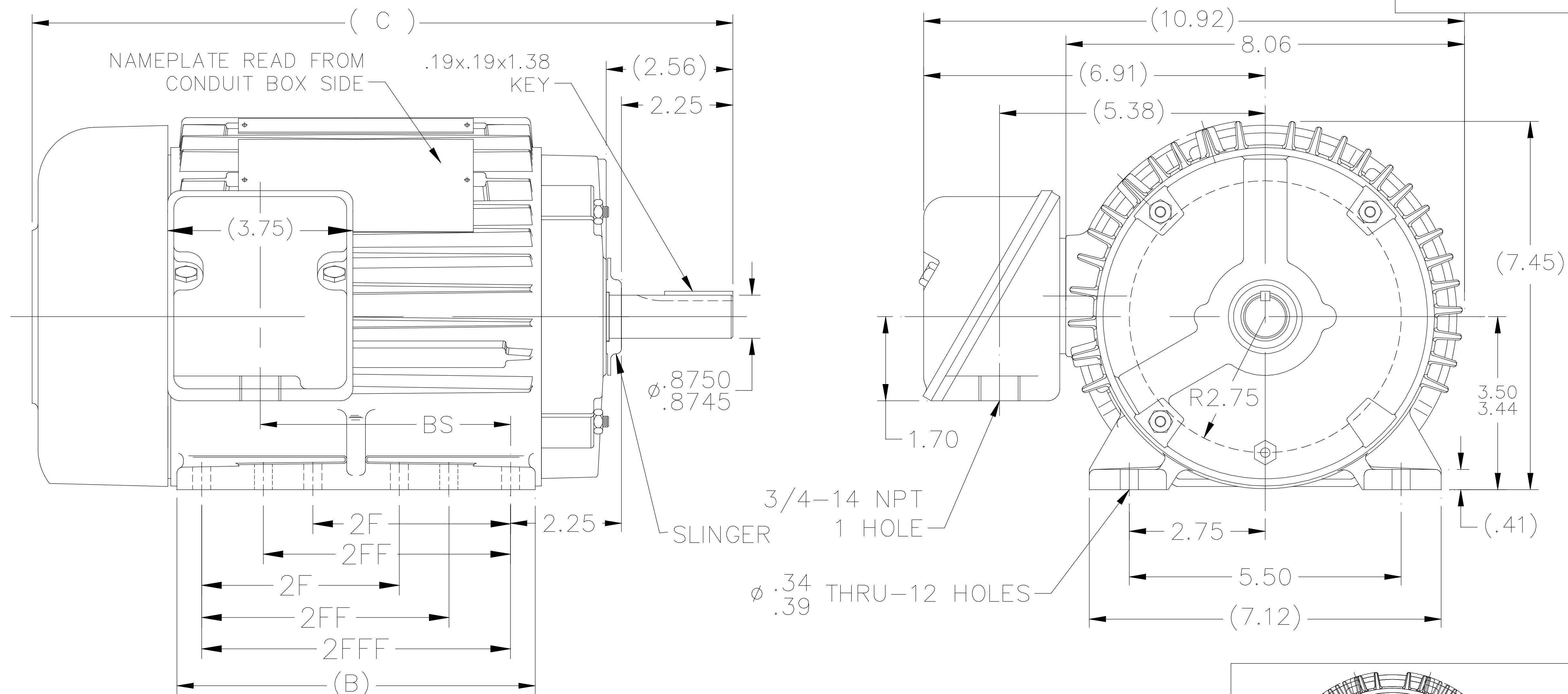
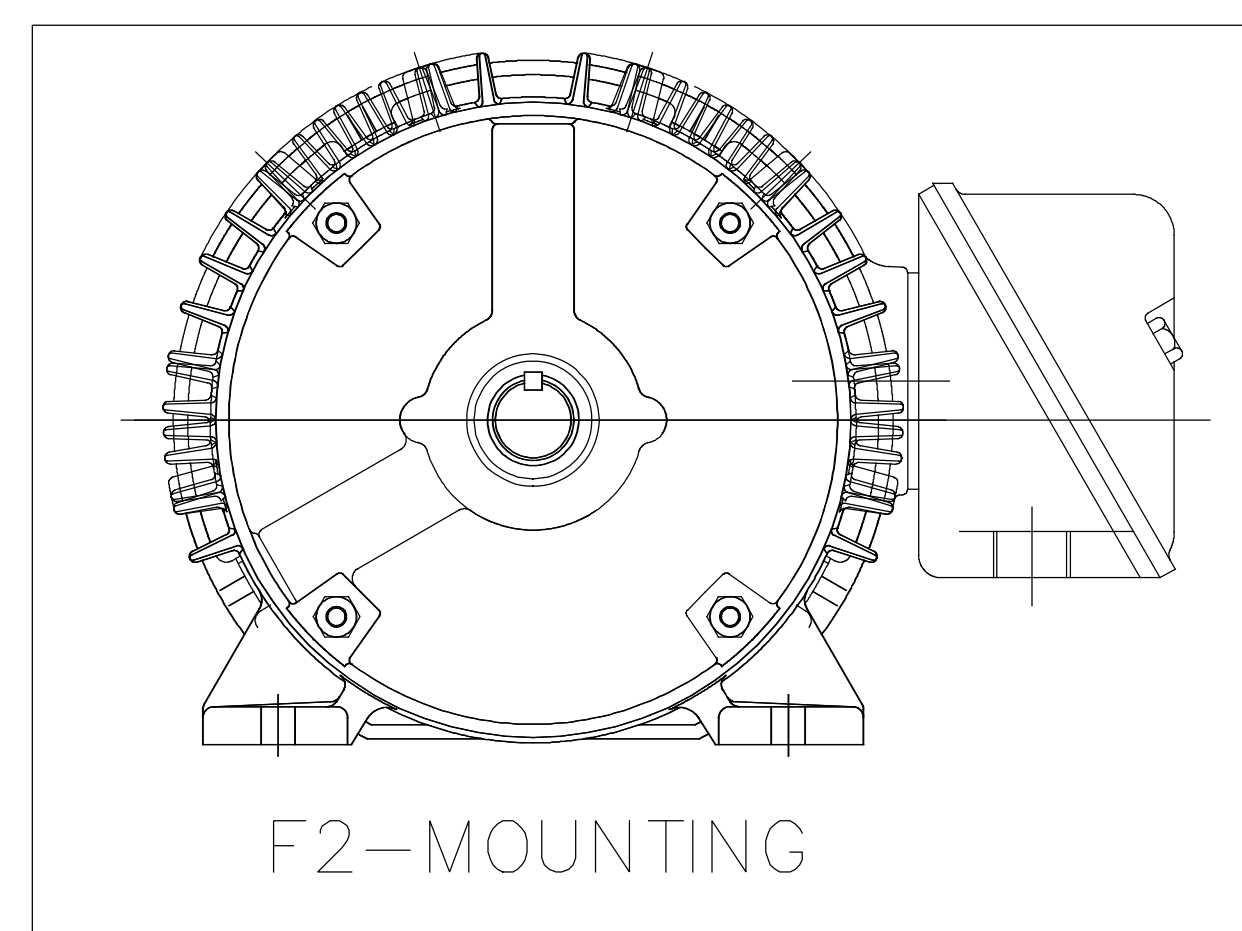


105546



NOTES:
 1- BOX CAN BE ROTATED IN 90° STEPS.
 2- BOX CAN BE MOUNTED ON OPPOSITE SIDE BY REMOVING BRACKETS AND TURNING FRAME 180°.



DASH	FR.	C	B	BS	2F	2FF	2FFF
750	143/5T	14.17	7.25	5.06	4.00	5.00	6.25

NO.	REVISION	BY & DATE	CHK	ANG	TOLERANCES UNLESS SPECIFIED	
					DEC.	INCHES
7	ADDED SLINGER ON DRAWING	UD 06/07/2019				
6	UPDATED PER ECO-0064358	UD 11-04-14				
5	UPDATED PER ISAAC 11-4672	RFH 01/31/2012	EH	.X	±.1	
4	ADDED F2 VIEW	SVL 1-3-2012		.XX	±.03	
3	REMOVED 145T-625 CN 29200-336	NJS 01-02-2004	PJB	.XXX	±.005	
2	ADDED 2F & FFF MU47117	ML 06-19-2003	ML	.XXXX	±.0005	
					±7'30"	

	DRAWN DRS 01-24-2003	
	CHK ML 01-24-2003	APPD GK 01-24-2003
TITLE OUTLINE 140T - BB - TS - TEFC	SCALE 5=16	
MAT'L.	REF	
FINISH	PREV	

THIS DRAWING IN DESIGN AND DETAIL IS OUR PROPERTY AND MUST NOT BE USED EXCEPT IN CONNECTION WITH OUR WORK ALL RIGHTS OF DESIGN AND INVENTION ARE RESERVED THIS IS AN ELECTRONICALLY GENERATED DOCUMENT - DO NOT SCALE THIS PRINT			RFP	CAD FILE 105546	SIZE A	DRAWING NO. 105546	PAGE OF	REV. 7
			DIST WP					