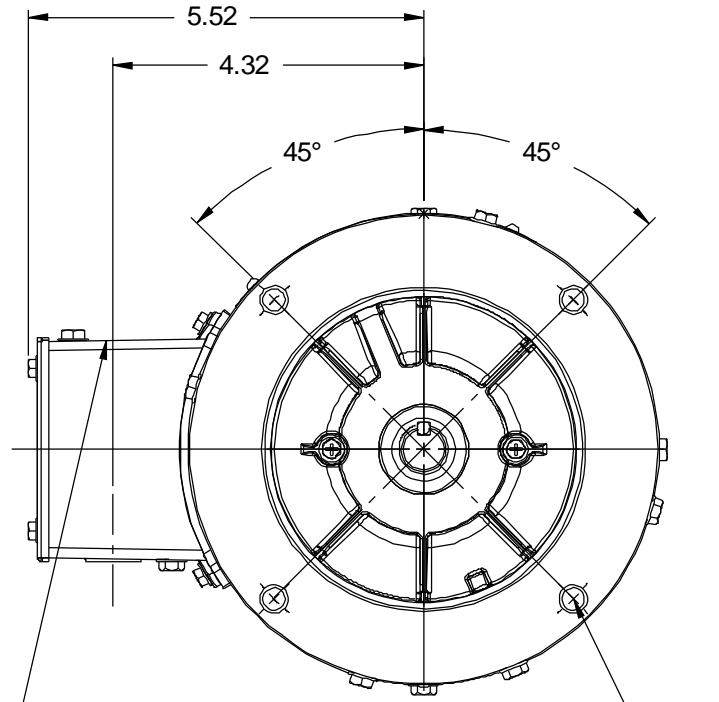
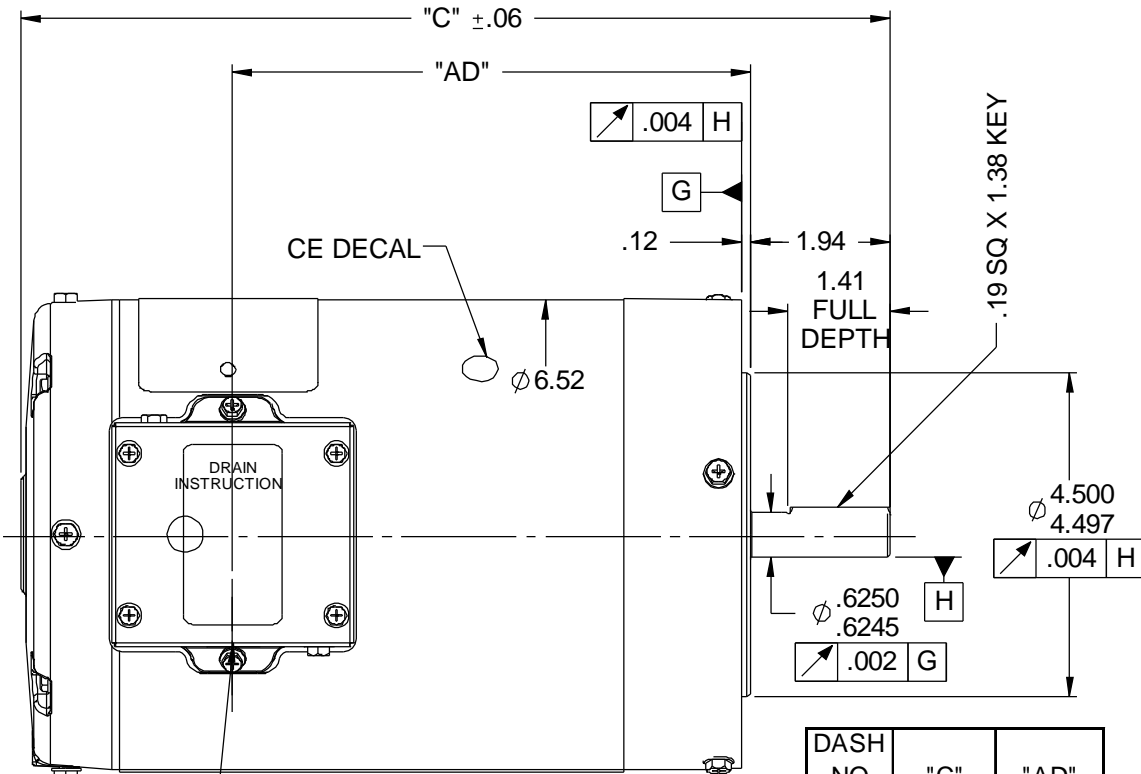


RBC PROPRIETARY AND CONFIDENTIAL INFORMATION

This document is the property of REGAL BELOIT CORPORATION ("RBC") including its subsidiaries and divisions and contains proprietary information of RBC. This document is loaned on the express condition that neither it nor the information contained therein shall be disclosed to others without the express written consent of RBC, and that the information shall be used by the recipient only as approved expressly by RBC. This document shall be returned to RBC upon its request. This document may be subject to certain restrictions under U.S. export control laws and regulations.



(1) 1/2-14 NPT (PLUGGED)

NOTE:

- 1) SHAFT SEALS & V-RINGS
- 2) DRAIN HOLES IN BOTH ENDBELLS & CONDUIT BOX
- 3) GASKETS THROUGHOUT
- 4) STAINLESS STEEL SHAFT, HARDWARE & NAMEPLATE

DASH NO	"C"	"AD"
450	9.56	4.69
500	10.06	5.19
550	10.56	5.69
600	11.06	6.19
650	11.56	6.69
700	12.06	7.19
750	12.56	7.69
800	13.06	8.19

DECAL CONNECTION UNDER COVER

(4) 3/8-16 UNC-2B x .56 DEEP ON A Ø 5.875 B.C.

				TOLERANCES UNLESS SPECIFIED			DRAWN PVR 12/10/12	
				DEC	INCHES		CHK VS 12/10/12	
				.X	±.1		APPR	
				.XX	±.03		SCALE 3:8	
				.XXX	±.005		REF 607-0022	
				.XXX	±.0005	TITLE OUTLINE - 56C FRAME		FMF 56T34V99001
				.XXXX	±.0005	TENV - "C" FACE		PAGE OF
				ANG	±1/2°	MAT'L WASHGUARD		REV
NO	REVISION	BY & DATE	CHK	ANG	±1/2°	FINISH	SIZE	DRAWING NO
				RFP		PREV	A	607-0141

