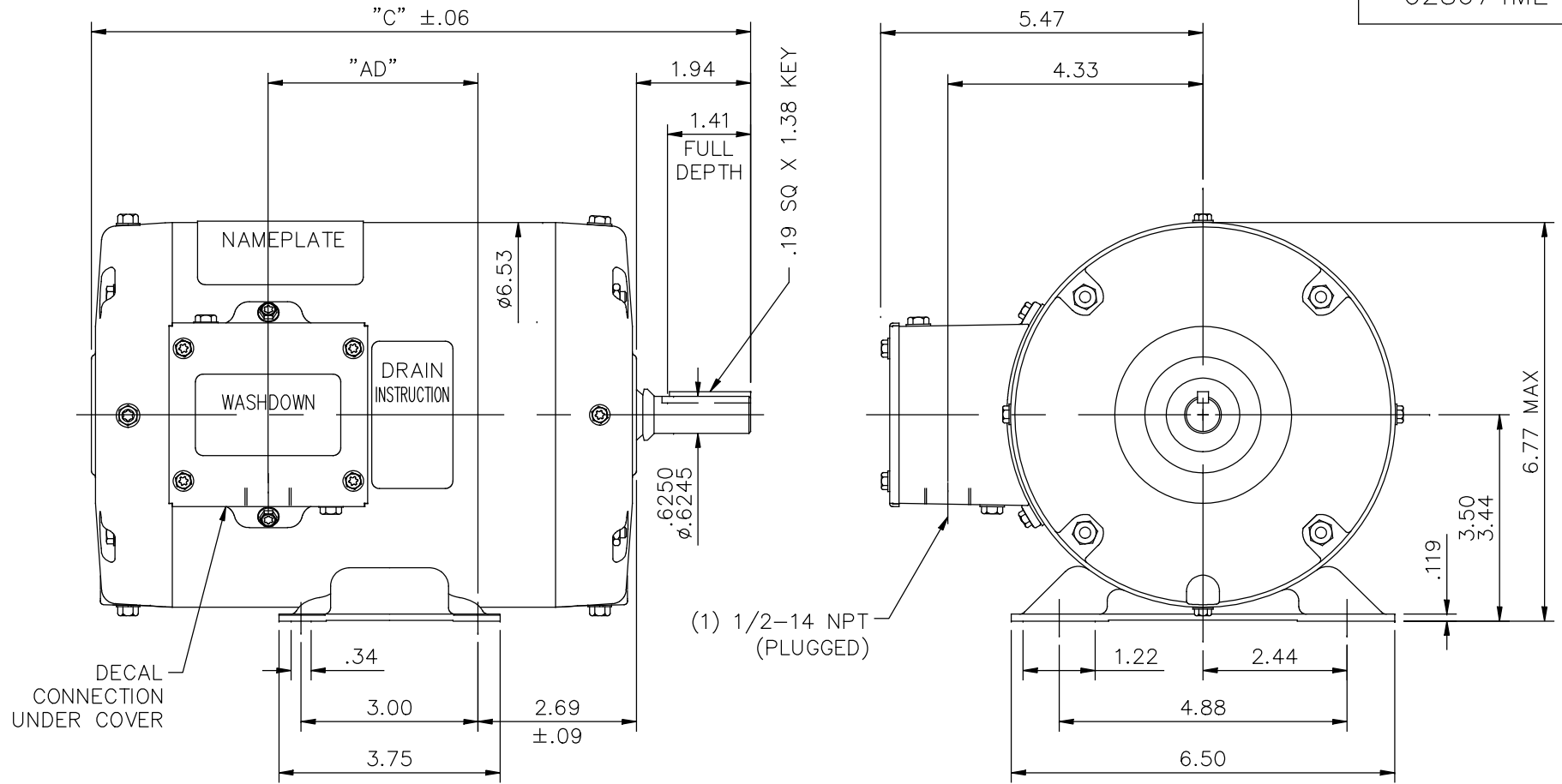


028674ME



**SPECIAL FEATURES:**

- 1) SHAFT SEALS & V-RING
- 2) DRAIN HOLES IN ENDBELLS & CONDUIT BOX
- 3) STAINLESS STEEL SHAFT, HARDWARE & NAMEPLATE
- 4) GASKETS THROUGHOUT

DASH NO.	"C"	"AD"
450	9.18	1.56
500	9.68	2.06
550	10.18	2.56

TOLERANCES UNLESS SPECIFIED	
DEC.	INCHES
.X	±.1
.XX	±.03
.XXX	±.005
.XXXX	±.0005
NO.	ANG ±1/2°



TITLE  
OUTLINE - 56 FRAME  
TENV - RIGID

MAT'L.

FINISH

DRAWN LST 7/9/09

CHK

APPD

SCALE 3=8

REF EP55-030

FMF

PREV

NO.	REVISION	BY & DATE	CHK	ANG

THIS DRAWING IN DESIGN AND DETAIL IS OUR PROPERTY AND MUST NOT BE USED EXCEPT IN CONNECTION WITH OUR WORK ALL RIGHTS OF DESIGN AND INVENTION ARE RESERVED THIS IS AN ELECTRONICALLY GENERATED DOCUMENT - DO NOT SCALE THIS PRINT

RFP	CAD FILE	028674ME	SIZE	DRAWING NO.	REV.
DIST			A	028674ME	