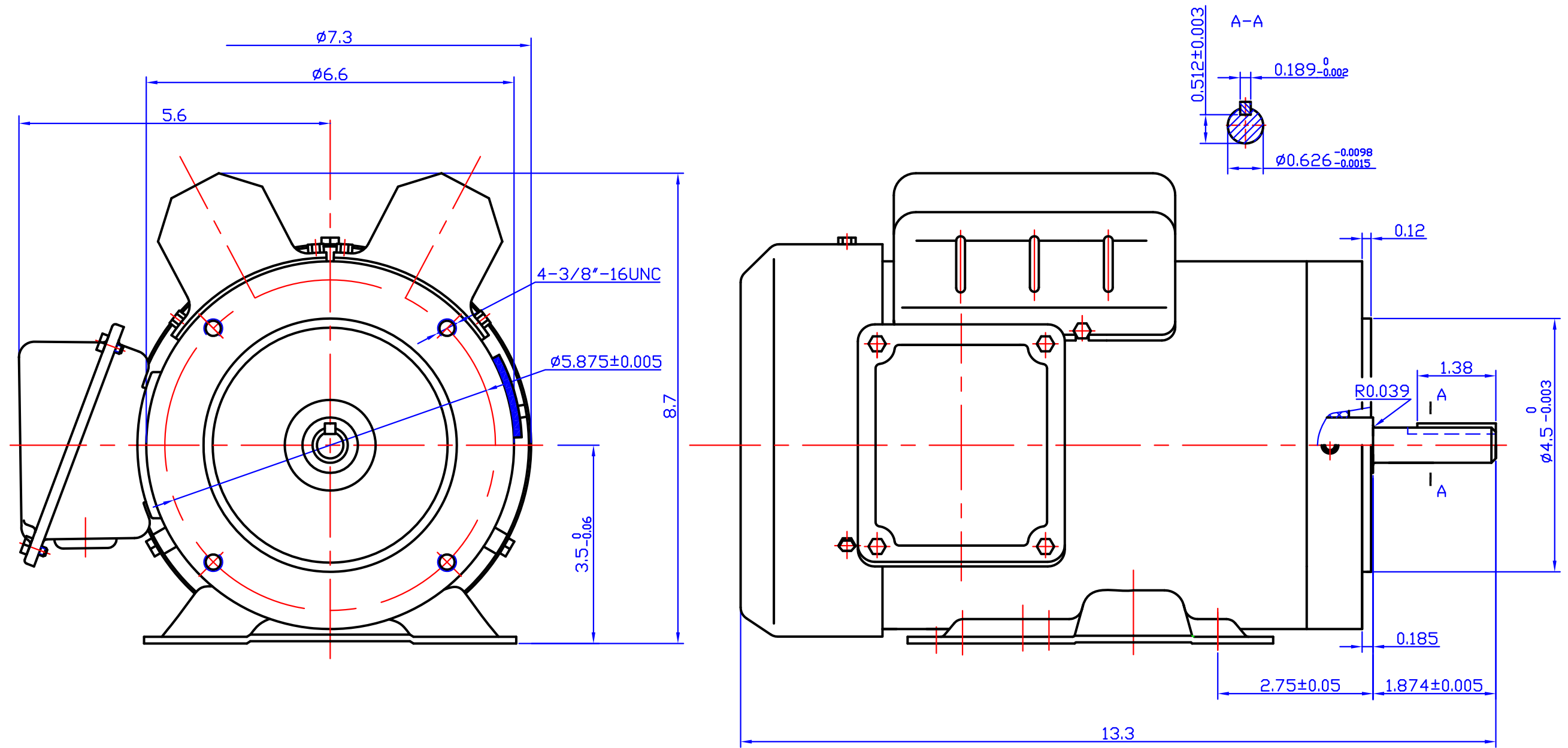



REV	ECO Uncontrolled Copy	REV BY	DATE	APPD	DATE
-----	--------------------------	--------	------	------	------



MODEL.NO.	FRAME	PH	HP	Hz	RPM	Pole	Volt	thermal protector
	56HC	3	1.5	60	1740	4	115/230	NONE

DR BY:

APPD:

FIRST ANGLE PROJECTION  EDS DATE
VERSION

CONFIDENTIAL: THIS DRAWING AND ITS INFORMATION ARE THE EXCLUSIVE AND CONFIDENTIAL PROPERTY OF REGAL BELOIT CORPORATION AND ARE NOT TO BE DISCLOSED, DUPLICATED, DISTRIBUTED OR OTHERWISE USED WITHOUT THE WRITTEN CONSENT OF REGAL BELOIT CORPORATION

-ALL RIGHTS RESERVED.

DESCRIPTION

outline drawing

SIZE **A3** DWG NO

SCALE SHEET