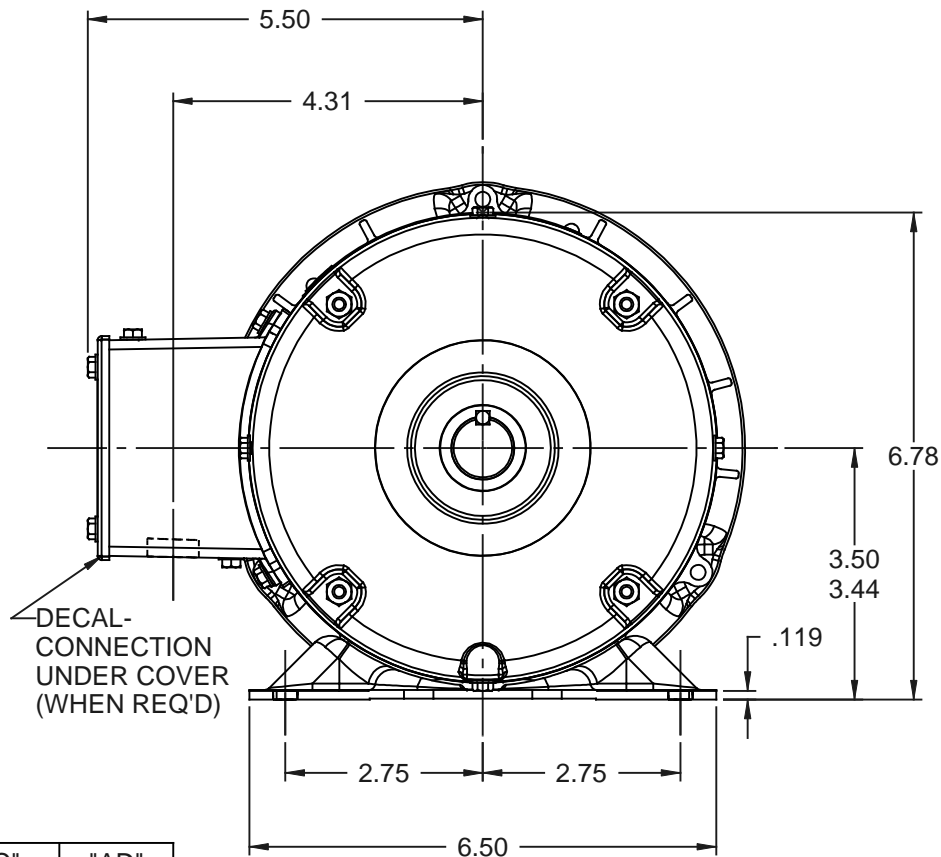
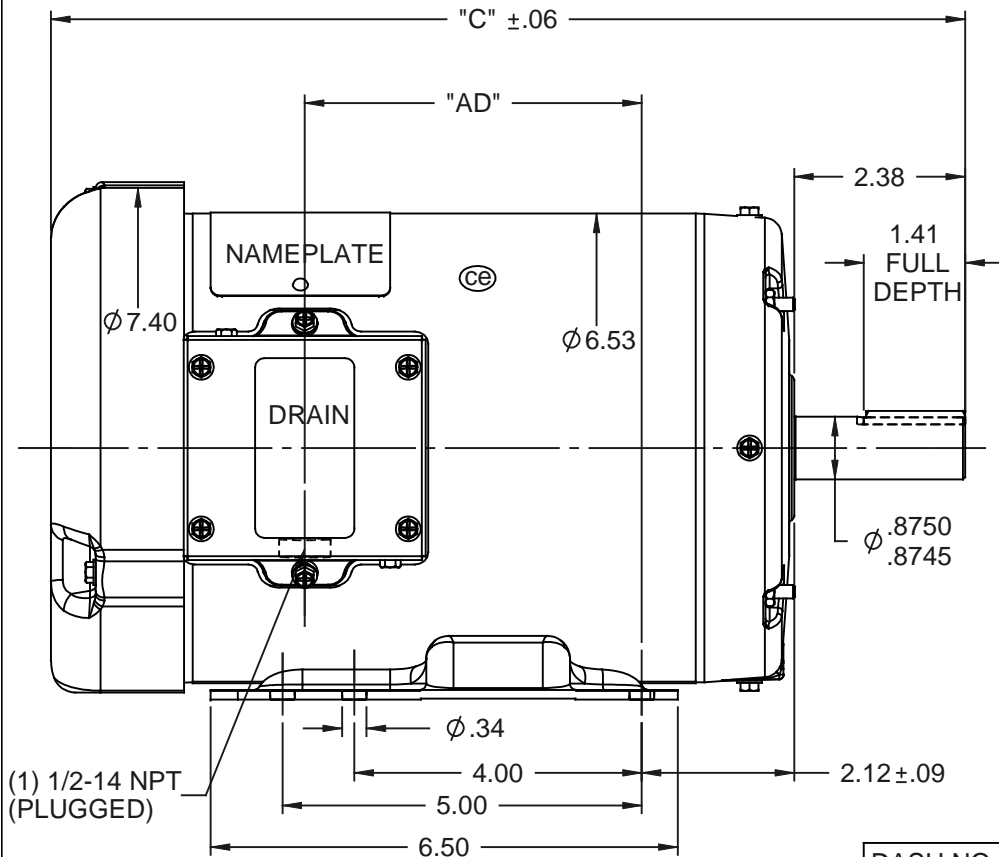


This document is the property of REGAL BELOIT CORPORATION ("RBC") including its subsidiaries and divisions and contains proprietary information of RBC. This document is loaned on the express condition that neither it nor the information contained therein shall be disclosed to others without the express written consent of RBC, and that the information shall be used by the recipient only as approved expressly by RBC. This document shall be returned to RBC upon its request. This document may be subject to certain restrictions under U.S. export control laws and regulations.



SPECIAL FEATURES
 GASKETS THROUGHOUT
 DRAIN HOLES IN ENDBELLS & CONDUIT BOX
 SHAFT SEAL & V-RING
 STAINLESS STEEL SHAFT, HARDWARE & NAMEPLATE

DASH NO.	"C"	"AD"
700	12.75	4.69
750	13.25	5.19
800	13.75	5.69
850	14.25	6.19

			TOLERANCES UNLESS SPECIFIED				DRAWN LST 10/3/08	
			DEC	INCHES			CHK	
			.X	±.1			APPR	
			.XX	±.03			SCALE 3:8	
			.XXX	±.005			REF	
			.XXXX	±.0005	MAT'L WASHGUARD		FMF	
NO	REVISION	BY & DATE	CHK	ANG ±1/2°	FINISH		PAGE OF	
			RFP	PREV	SIZE A		DRAWING NO 028889	
			NETWORK FILE NAME				REV	

THIRD ANGLE PROJECTION

