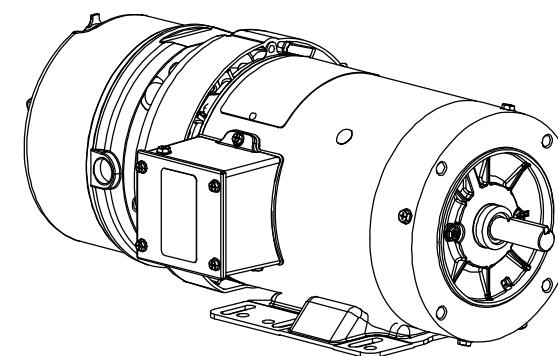


### WASHGUARD MOTOR

SPECIAL FEATURES:

1. SHAFT SEAL & V-RING
2. PLUGGED DRAIN HOLES IN ENDBELLS & CONDUIT BOX
3. BUNA-N GASKETS THROUGHOUT
4. STAINLESS STEEL SHAFT, HARDWARE & NAMEPLATE



700	17.50	7.06
DASH NO	"C"	"AD"

DRAWING REVISION B	REVISION BY JD	DATE 09/07/2017
ECO ECO-0130856	APPROVED BY JD	DATE 09/07/2017
ECO DESCRIPTION <b>UPDATE PIPE PLUG NOTE</b> COPYRIGHT REGAL BELOIT AMERICA, INC. ALL RIGHTS RESERVED. PROPRIETARY AND CONFIDENTIAL INFORMATION - THIS DOCUMENT IS THE PROPERTY OF REGAL BELOIT AMERICA, INC. ("OWNER") AND CONTAINS OWNER'S PROPRIETARY INFORMATION. ANY PERSON, CORPORATION OR OTHER FIRM RECEIVING IT IS DEEMED, BY RECEIVING IT, TO AGREE THAT IT, AND/OR ANY PART OF IT, SHALL NOT BE DISCLOSED TO ANY PERSON, CORPORATION OR OTHER ENTITY, DUPLICATED, AND/OR USED, EXCEPT AS EXPRESSLY APPROVED IN WRITING IN ADVANCE BY OWNER. THIS DOCUMENT SHALL BE RETURNED TO OWNER UPON REQUEST. IT MAY BE SUBJECT TO CERTAIN RESTRICTIONS UNDER APPLICABLE EXPORT CONTROL LAWS AND REGULATIONS.		
ORACLE REV 001		

TOLERANCES UNLESS OTHERWISE SPECIFIED:			
DEC.	INCH	mm	ANGLE
.X	±0.1	[±2.5]	±0.5°
.XX	±0.01	[±0.25]	
.XXX	±0.005	[±0.127]	
.XXXX	±0.0005	[±0.0127]	
REMOVE BURRS & BREAK SHARP EDGES: .003/.015 [0.076/.381] X 45° CORNER FILLETS: R.02 [0.51] MACHINED SURFACES: 125 INCH 3.2 mm SHOWN IN [BRACKETS]			

DRAWN BY LK	DATE 05/31/2016
APPROVED BY LK	DATE 05/31/2016
REFERENCE 607-0240	THIRD ANGLE PROJECTION

<b>REGAL</b> ™ Regal Beloit America, Inc.	
DESCRIPTION <b>OUTLINE</b> TEFC - "C" FACE	PROCESS/FINISH
MATERIAL WASHGUARD BRAKE MOTOR	SIZE B
DRAWING NUMBER <b>607-0247</b>	SHEET 1 OF 1