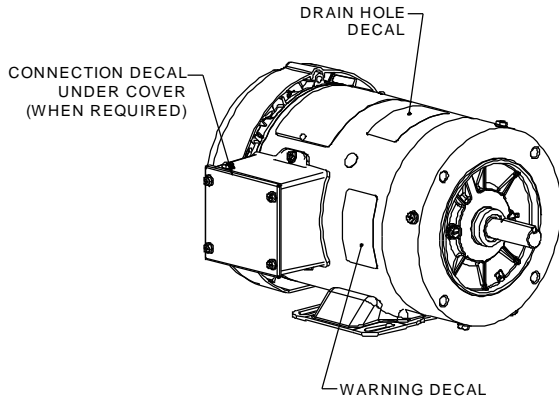


- WASHGUARD MOTOR**
- SPECIAL FEATURES:
1. SHAFT SEALS & V-RING.
 2. PLUGGED DRAIN HOLES IN ENDBELLS & CONDUIT BOX.
 3. BUNA-N GASKETS THROUGHOUT.
 4. STAINLESS STEEL SHAFT, HARDWARE & NAMEPLATE.



| DASH NO. | "C" | "AD" |
|----------|-------|------|
| 450 | 10.37 | 2.00 |
| 475 | 10.62 | 2.25 |
| 500 | 10.87 | 2.50 |
| 550 | 11.37 | 3.00 |
| 600 | 11.87 | 3.50 |
| 650 | 12.37 | 4.00 |
| 675 | 12.62 | 4.25 |

| | | | | | | | |
|------------------------|----------|-----------------------------|--------|------------------------------|-------|------------------------|---------|
| | | TOLERANCES UNLESS SPECIFIED | | | | DRAWN UD 12/27/12 | |
| | | DEC | INCHES | | | CHK AB 12/27/12 | |
| | | X | ±.1 | | | APPR | |
| | | XX | ±.03 | TITLE OUTLINE - 56C FRAME | | SCALE 3:8 | |
| | | XXX | ±.005 | TEFC - RIGID "C" FACE | | REF 607-0002 | |
| | | XXXX | ±.0005 | MAT'L WASHGUARD | | FMF 56T17W99004 | |
| NO | REVISION | BY & DATE | CHK | ANG | ±1/2° | FINISH | PAGE OF |
| | | | RFP | | | PREV | SIZE B |
| THIRD ANGLE PROJECTION | | DRAWING NO. 607-0002ME | | NETWORK FILE NAME 607-0002ME | | DRAWING NO. 607-0002ME | |
| | | | | | | REV | |