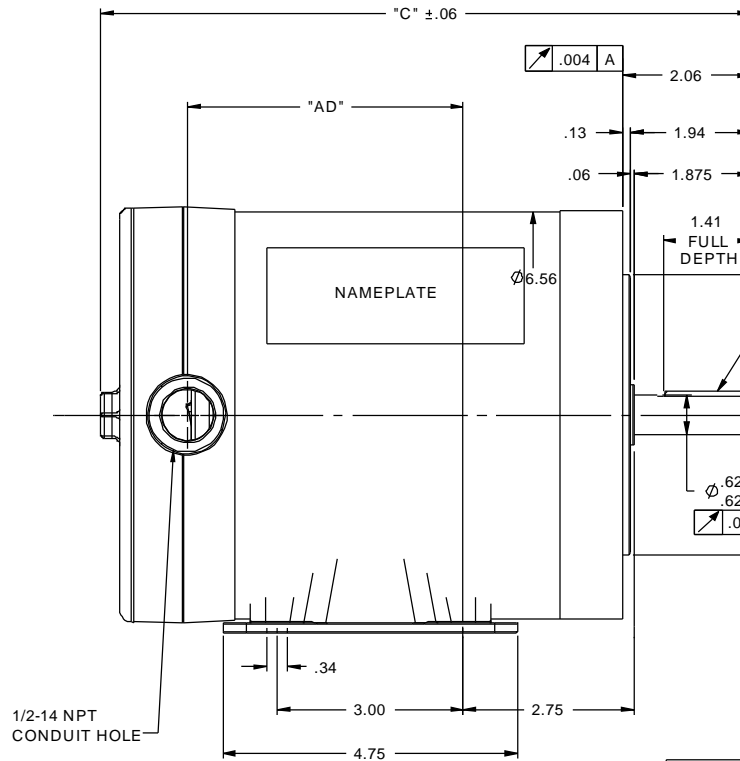
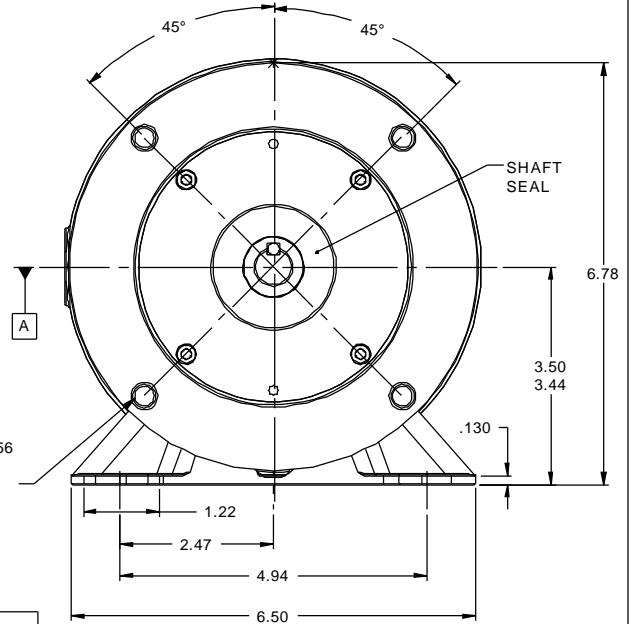


3/4" HEX DRIVER
FOR COVER REMOVAL



1/2-14 NPT
CONDUIT HOLE



DASH NO	"C"	"AD"
525	10.47	4.44
550	10.72	4.69
575	10.97	4.94
600	11.22	5.19
625	11.47	5.44
650	11.72	5.69
675	11.97	5.94
700	12.22	6.19
725	12.47	6.44
750	12.72	6.69
775	12.97	6.94

(4) 3/8-16 UNC-2B X .56
DEEP ON A Ø5.875
B.C.

NO		REVISION	BY & DATE	CHK	LANG	±1/2°	FINISH			DRAWN UD 08/26/13
								TITLE OUTLINE 56C FRAME TENV RIGID "C"		CHK GRB 08/26/13
								MAT'L		APPR
								NETWORK FILE NAME 028767ME		SCALE 1:2
								RFP		REF 028767
								PREV		FMF 056T34V99012
								SIZE B		PAGE OF
								DRAWING NO 028767ME		REV