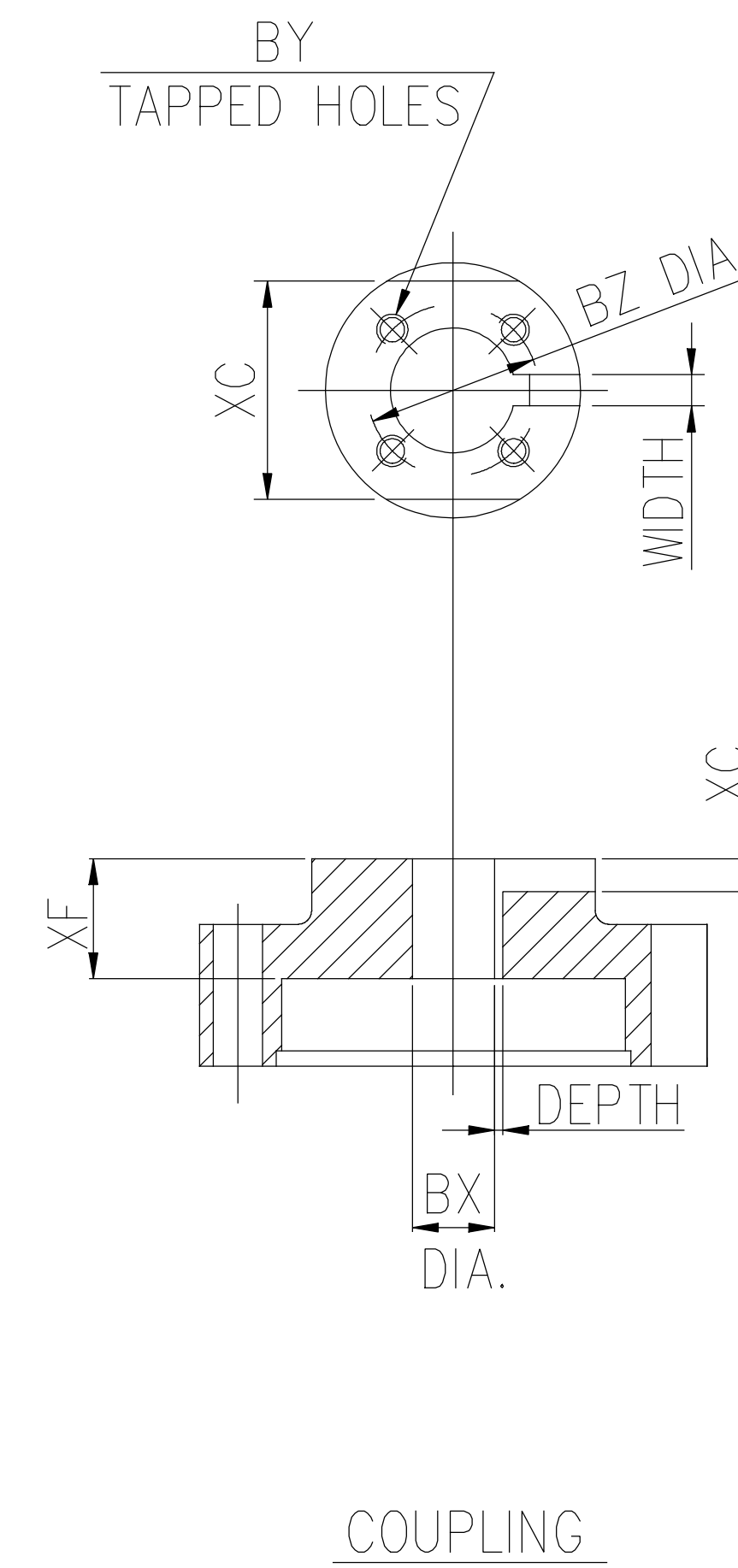
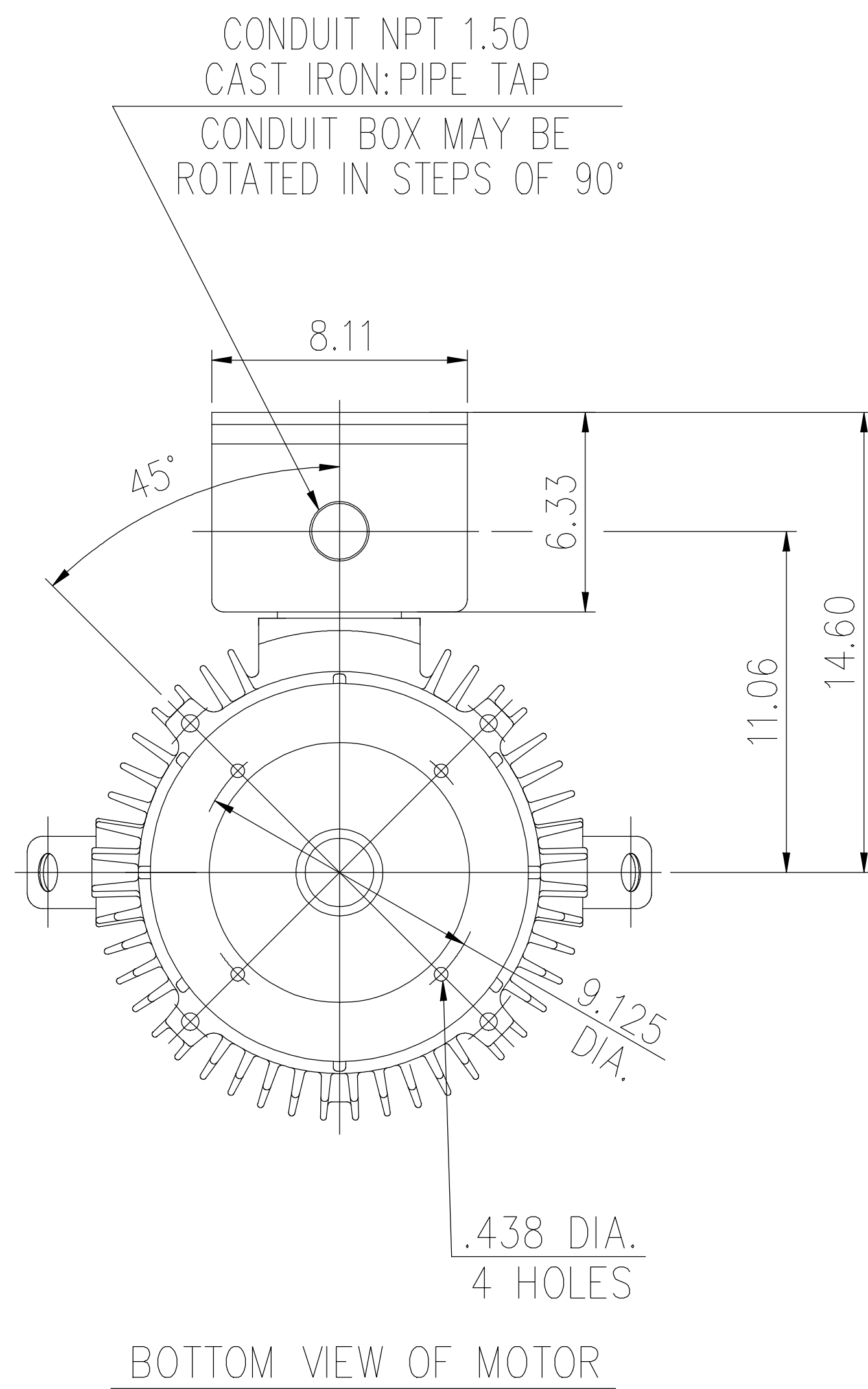
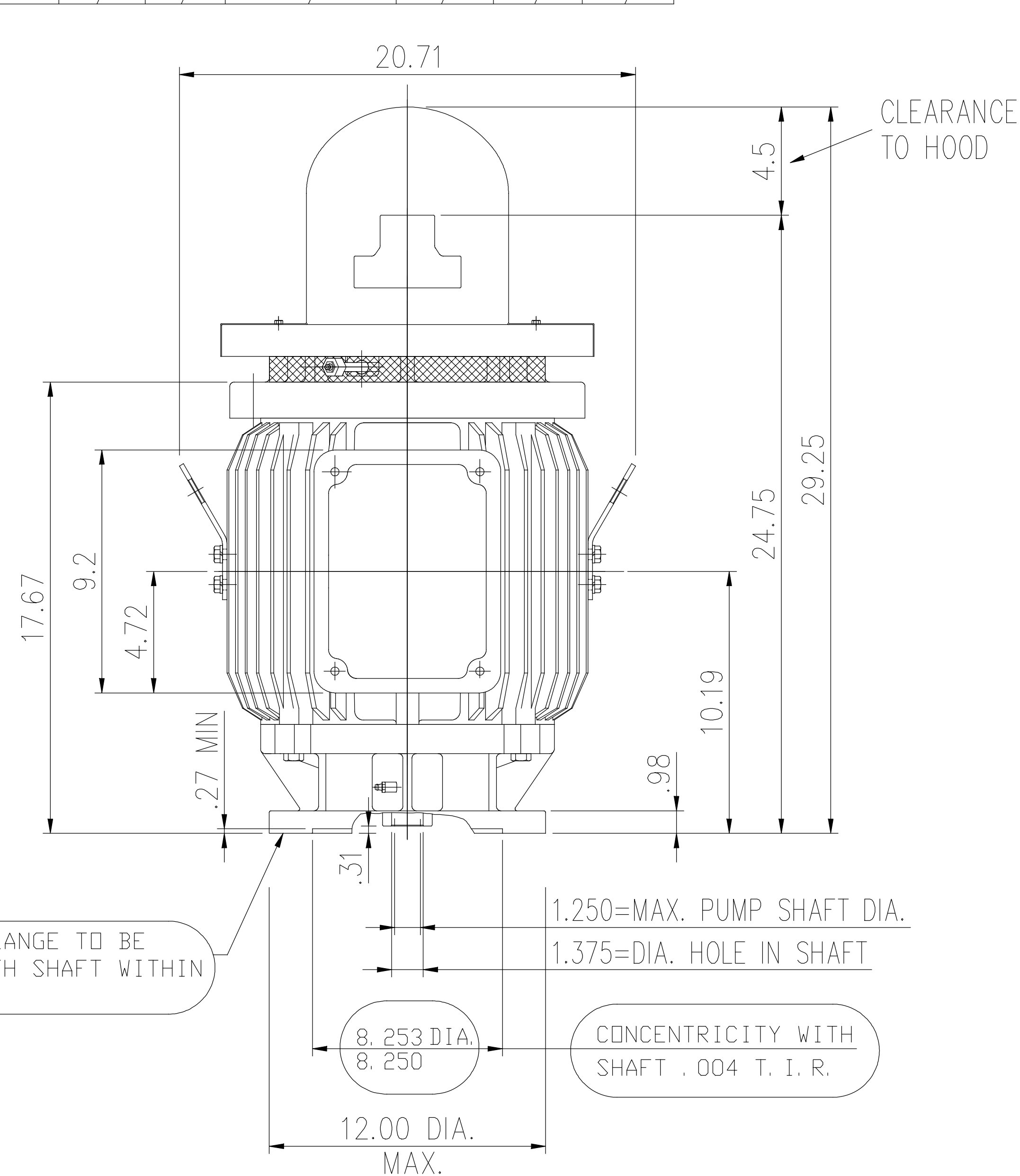


SS620836

COUPLING	BX DIA.	KEYWAY		BY	BZ	XF	XC
		WIDE	DEEP				
	1.001	0.250	0.140	10-32UNF	1.375	1.850	0.430
	1.188	0.250	0.140	1/4-20UNC	1.750	1.850	0.430
	1.251	0.250	0.140	1/4-20UNC	1.750	1.850	0.430
	0.751	N/A	N/A	N/A	N/A	N/A	N/A



- (1) DIMENSIONS ARE IN INCHES.
- (2) DRIVE END BEARING 6311  
OPPOSITE DRIVE END BEARING 7311B
- (3) APPROXIMATE WEIGHT = 490 lbs

(4) END OF LINE TESTS - SPECIFIC TO EACH RATING  
 \*NO LOAD AMPS @ FULL VOLTAGE  
 \*NO LOAD WATTS @ FULL VOLTAGE  
 \*VIBRATION MEETS MG-1 STANDARD  
 BALANCE 0.15 IN/S 3.8 MM/S

NO.	REVISION	BY & DATE	CHK	ANG	TOLERANCES UNLESS SPECIFIED		TITLE	DRAWN		
					DEC.	INCHES				
C	UPDATED PER MARK-UPS ECO-0151417	WGJ 9-10-2018	AL	.XX	±.03	REGAL REGAL - BELOIT CORPORATION	OUTLINE 284/286TP12 FRAME	CHK		
B	RE-PUBLISHED ECO-0125813	WGJ 6-21-2017	EMH	.XXX	±.005			APPD		
A	RELEASED FOR PRODUCTION ECO-0125213	WGJ 6-13-2017	AL	.XXXX	±.0005	MAT'L.	FINISH	SCALE		
								REF		
						CAD FILE	SIZE	FMF		
								PREV		
THIS DRAWING IN DESIGN AND DETAIL IS OUR PROPERTY AND MUST NOT BE USED EXCEPT IN CONNECTION WITH OUR WORK ALL RIGHTS OF DESIGN AND INVENTION ARE RESERVED THIS IS AN ELECTRONICALLY GENERATED DOCUMENT - DO NOT SCALE THIS PRINT							RFP	DRAWING NO.	REV.	
							DIST	B	SS620836	C