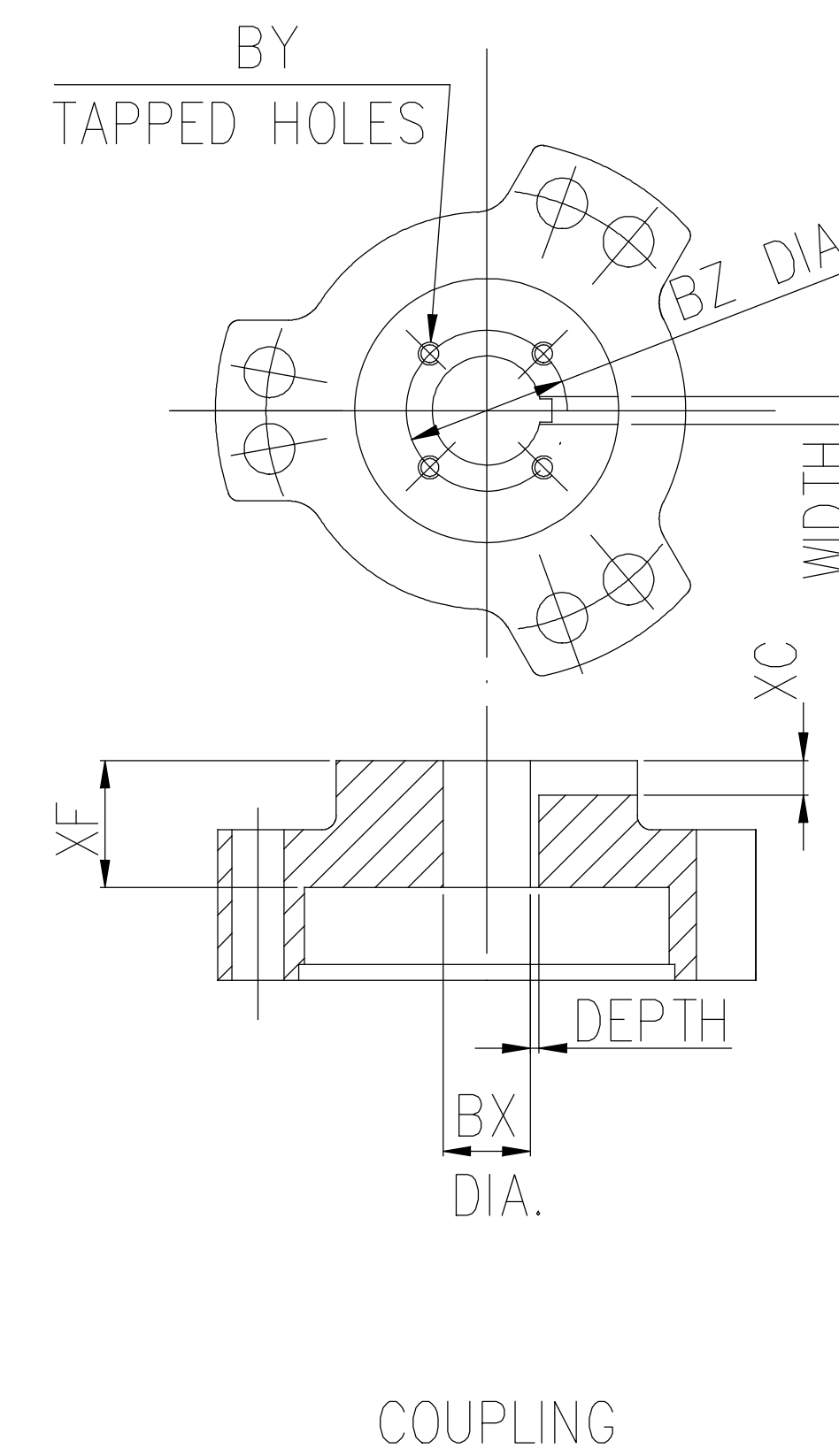
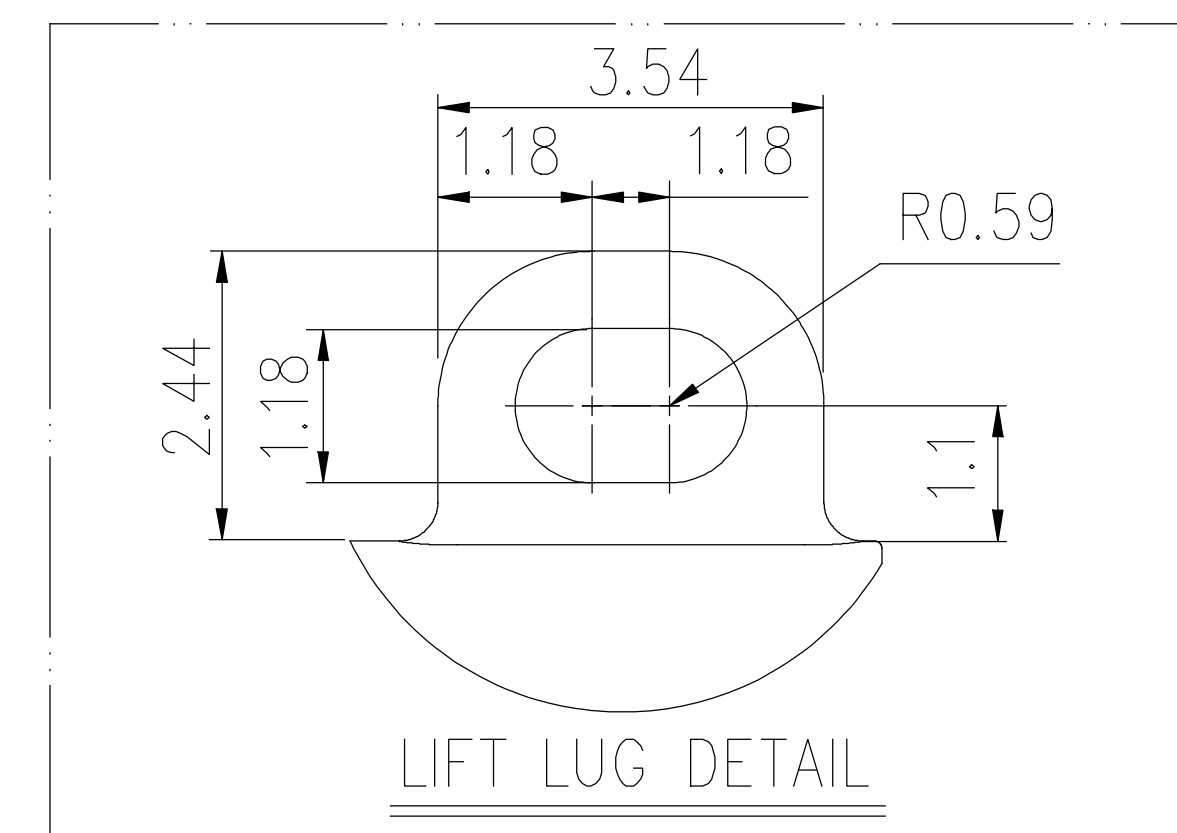
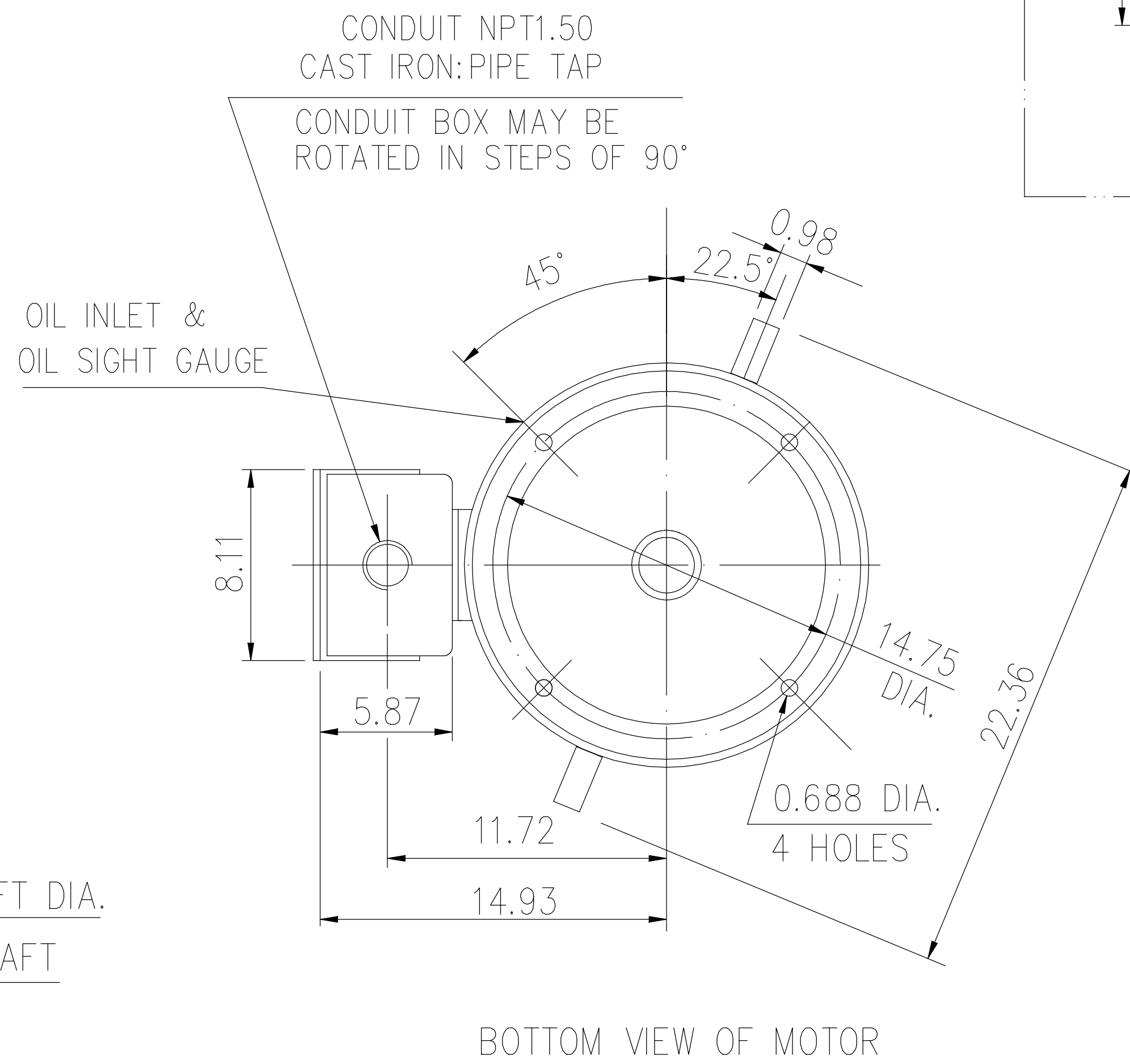
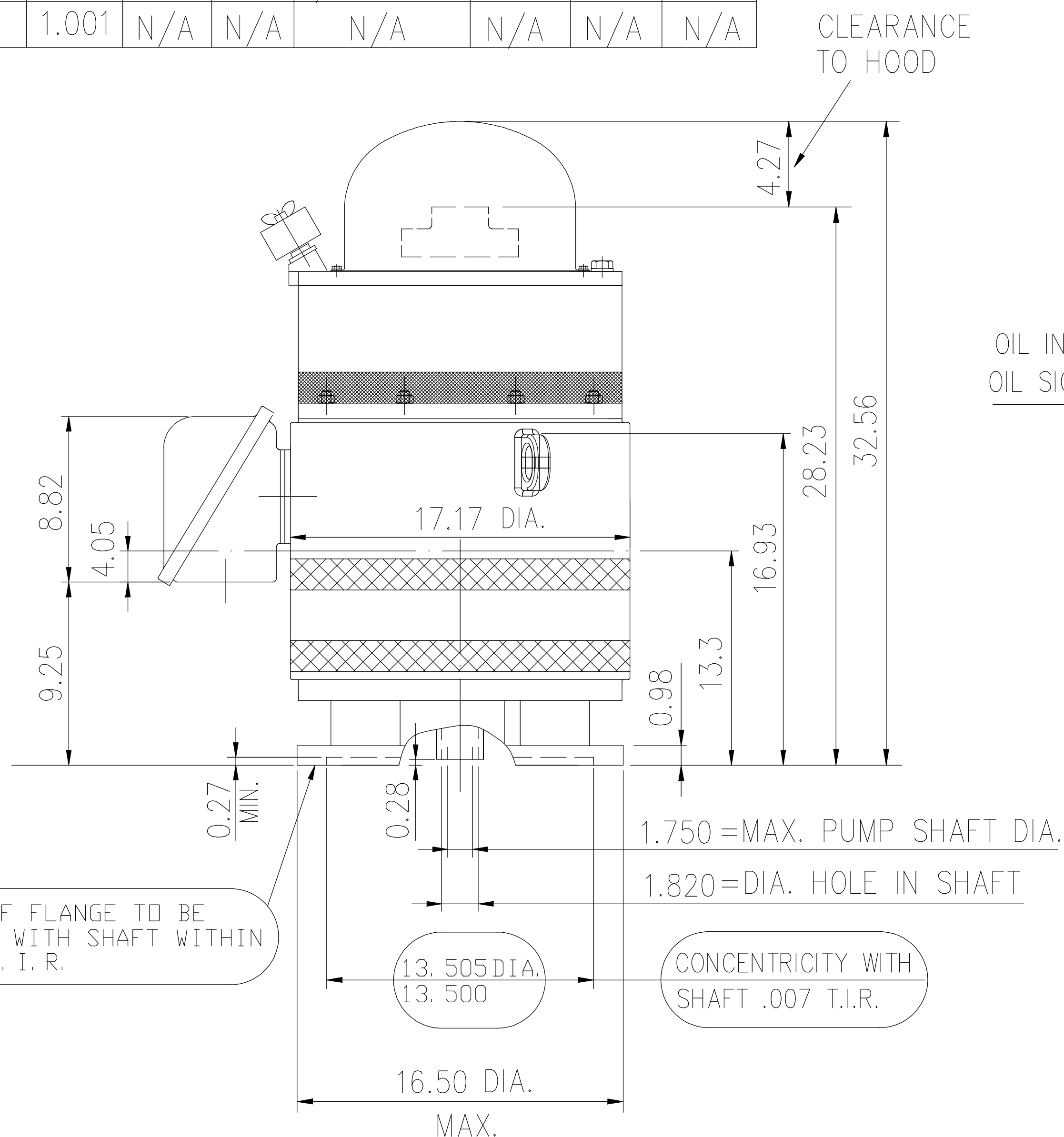


COUPLING	BX DIA.	KEYWAY		BY	BZ	XF	XC
		WIDE	DEEP				
	1.001	0.250	0.140	10-32UNF	1.375	1.610	0.320
	1.188	0.250	0.140	1/4-20UNC	1.750	1.610	0.320
	1.251	0.250	0.140	1/4-20UNC	1.750	1.610	0.320
	1.251	0.375	0.164	1/4-20UNC	1.750	1.610	0.320
	1.438	0.375	0.167	1/4-20UNC	2.120	1.610	0.320
	1.501	0.375	0.168	1/4-20UNC	2.120	1.610	0.320
	1.001	N/A	N/A	N/A	N/A	N/A	N/A



- (1) DIMENSIONS ARE IN INCHES.
- (2) DRIVE END BEARING 6312  
OPPOSITE DRIVE END BEARING 7219B
- (3) APPROXIMATE WEIGHT = 785 LBS

(4) END OF LINE TESTS - SPECIFIC TO EACH RATING  
 \*NO LOAD AMPS @ FULL VOLTAGE  
 \*NO LOAD WATTS @ FULL VOLTAGE  
 \*VIBRATION MEETS MG-1 STANDARD  
 BALANCE 0.15 IN/S 3.8 MM/S

				TOLERANCES UNLESS SPECIFIED		REGAL REGAL-BELOIT CORPORATION	DRAWN
				DEC.	INCHES		
				.X	±.1		APPD
				.XX	±.03	TITLE	SCALE
B	UPDATED PER MARK-UPS	ECO-0151417	WGJ 9-11-2018	AL .XXX	±.005	OUTLINE	REF
A	RELEASED FOR PRODUCTION	ECO-0125213	WGJ 6-13-2017	AL .XXXX	±.0005	324/326TP16 FRAME	FMF
NO.	REVISION	BY & DATE	CHK	ANG	±7'30"	MAT'L.	PREV
THIS DRAWING IN DESIGN AND DETAIL IS OUR PROPERTY AND MUST NOT BE USED EXCEPT IN CONNECTION WITH OUR WORK ALL RIGHTS OF DESIGN AND INVENTION ARE RESERVED THIS IS AN ELECTRONICALLY GENERATED DOCUMENT - DO NOT SCALE THIS PRINT				RFP		FINISH	
				DIST		CAD FILE	
						SIZE	DRAWING NO.
						B	SS620839
							REV. B