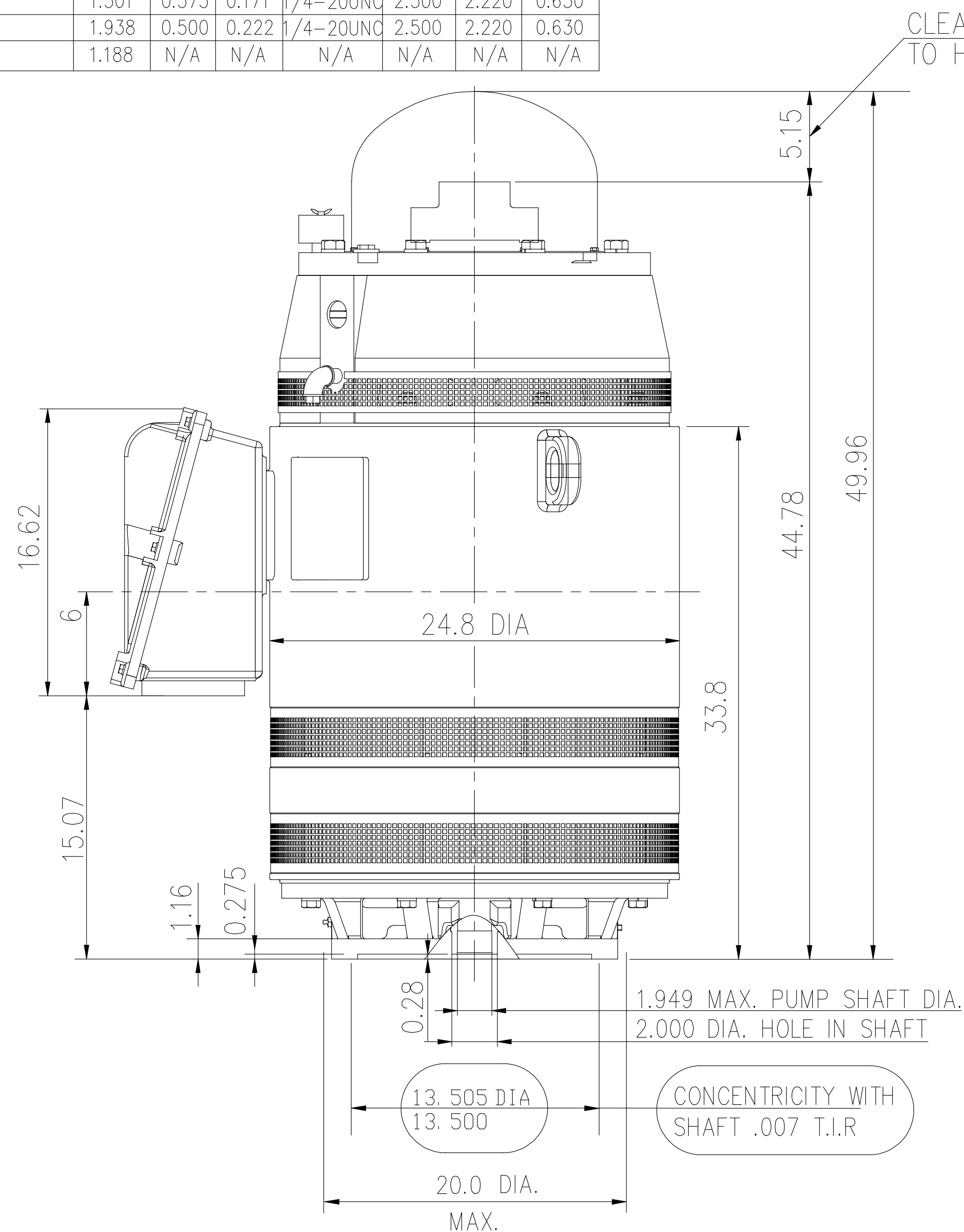
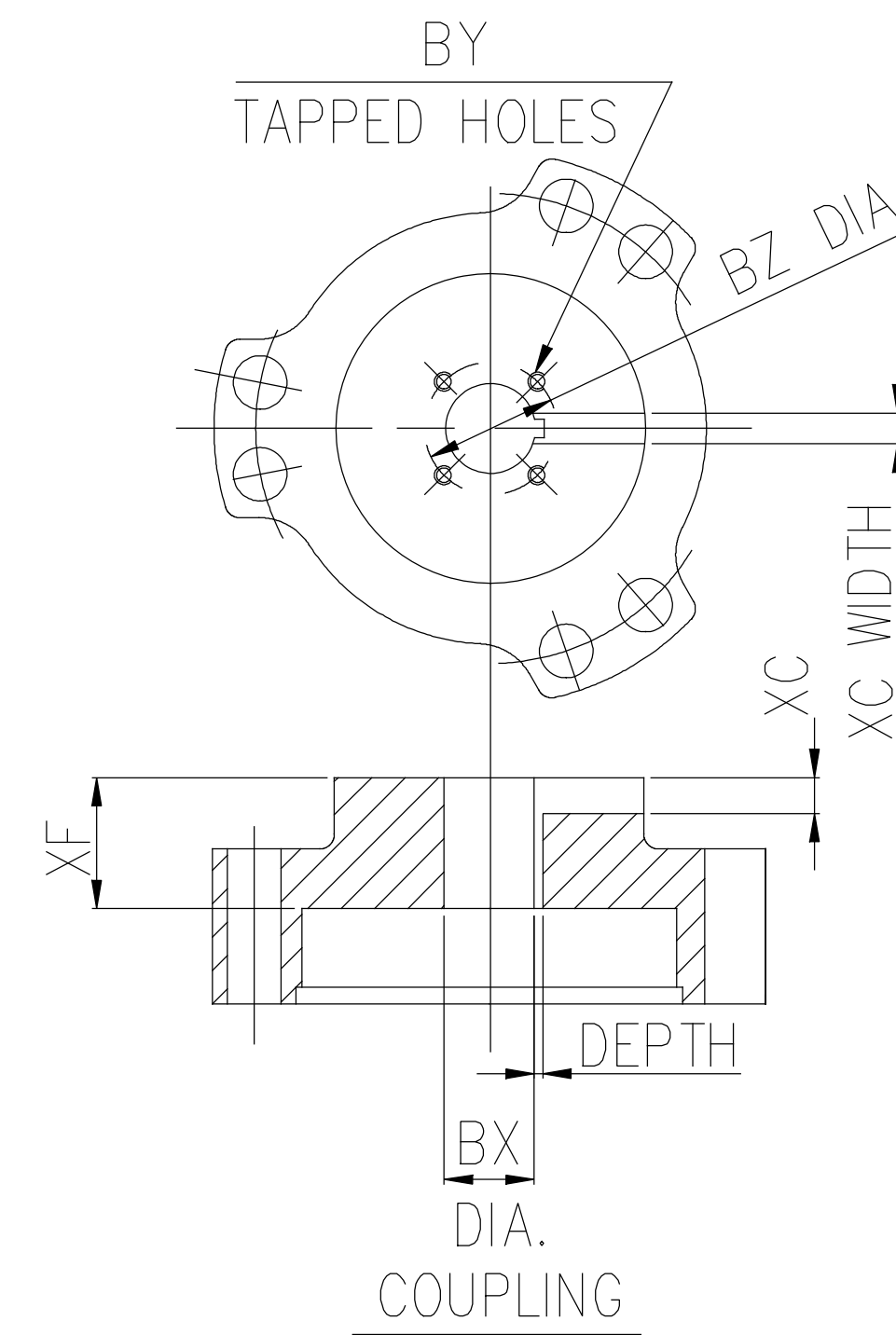
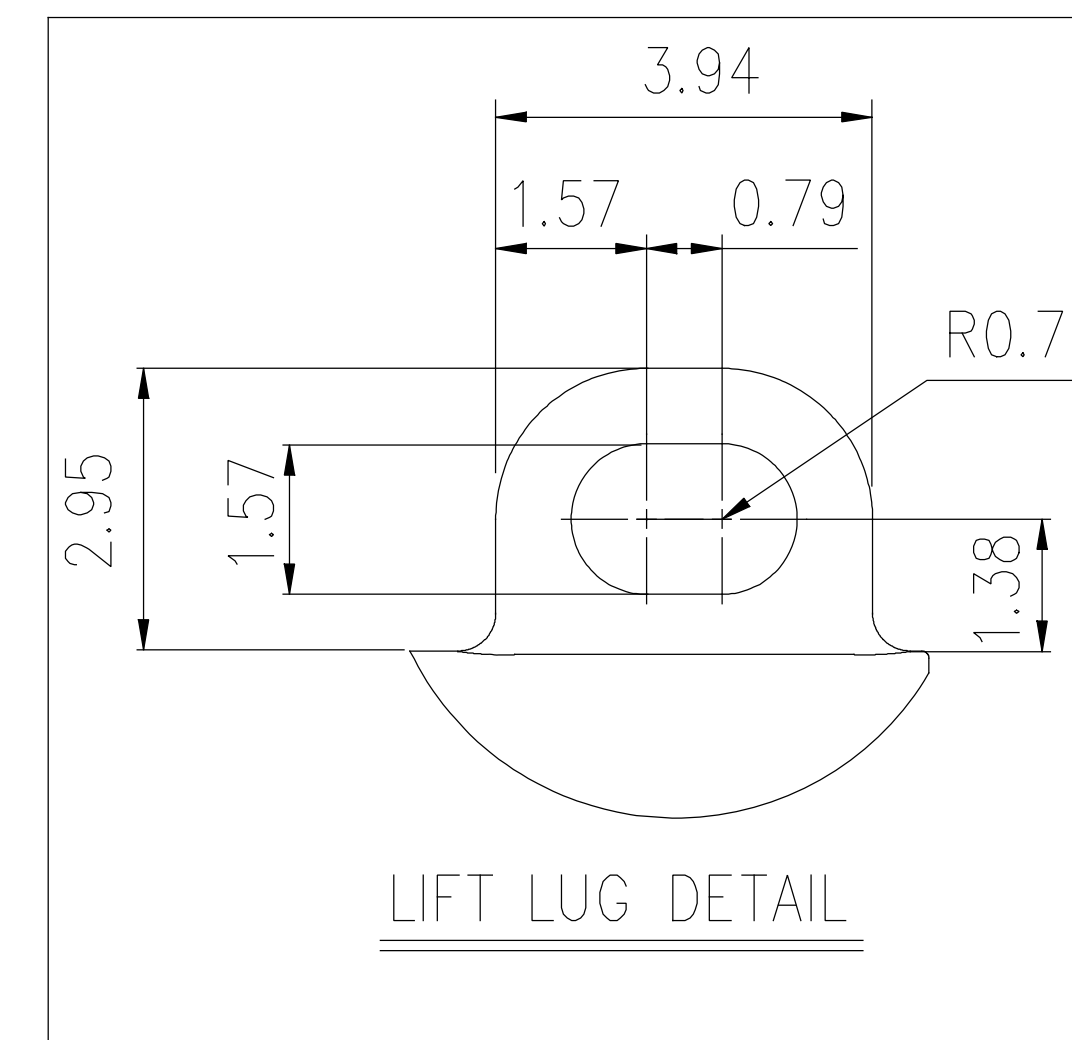
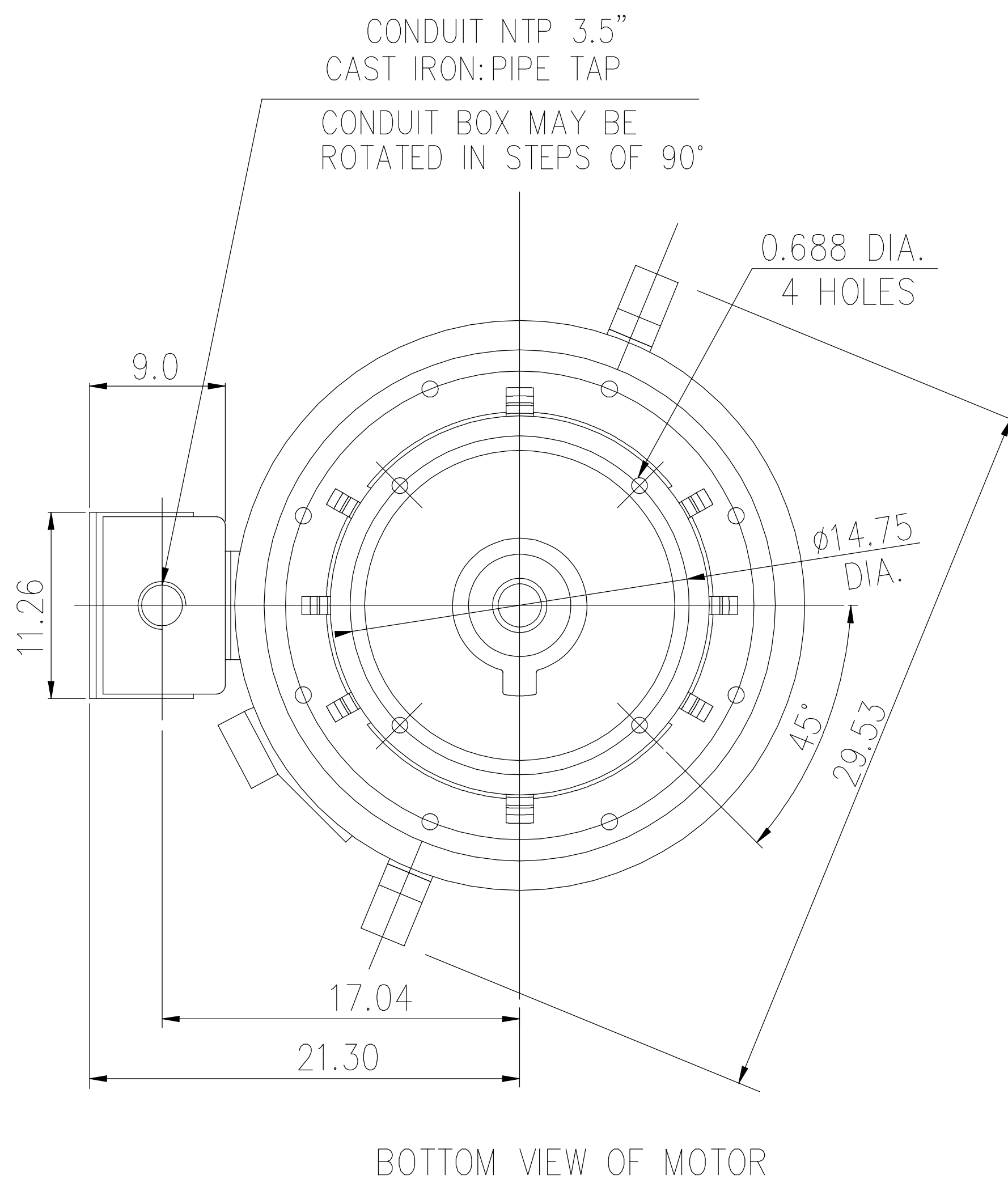


SS620845

COUPLING	BX DIA.	KEYWAY		BY	BZ	XF	XC
		WIDE	DEEP				
	1.188	0.250	0.116	1/4-20UNC	1.750	2.220	0.630
	1.251	0.375	0.168	1/4-20UNC	2.120	2.220	0.630
	1.438	0.375	0.171	1/4-20UNC	2.500	2.220	0.630
	1.501	0.375	0.171	1/4-20UNC	2.500	2.220	0.630
	1.938	0.500	0.222	1/4-20UNC	2.500	2.220	0.630
	1.188	N/A	N/A	N/A	N/A	N/A	N/A



CLEARANCE TO HOOD



- (1) DIMENSIONS ARE IN INCHES.
- (2) DRIVE END BEARING 6318
OPPOSITE DRIVE END BEARING 7230DT
- (3) APPROXIMATE WEIGHT = 2480 LB

- (4) END OF LINE TESTS - SPECIFIC TO EACH RATING
 - *NO LOAD AMPS @ FULL VOLTAGE
 - *NO LOAD WATTS @ FULL VOLTAGE
 - *VIBRATION MEETS MG-1 STANDARD
 - BALANCE 0.15 IN/S 3.8 MM/S

NO.	REVISION	BY & DATE	CHK	ANG	TOLERANCES UNLESS SPECIFIED		TITLE	DRAWN	
					DEC.	INCHES			
					.X	±.1	REGAL REGAL - BELOIT CORPORATION	CHK	
C	UPDATED PER MARK-UPS ECO-0151417	WGJ 9-11-2018	AL	.XX	±.03	TITLE		OUTLINE	APPD
B	RE-PUBLISHED ECO-0125813	WGJ 6-21-2017	EMH	.XXX	±.005		447TP20 FRAME	SCALE	
A	RELEASED FOR PRODUCTION ECO-0125213	WGJ 6-13-2017	AL	.XXXX	±.0005	MAT'L.		REF	
					ANG	±7'30"	FINISH	FMF	
			RFP			CAD FILE		PREV	
THIS DRAWING IN DESIGN AND DETAIL IS OUR PROPERTY AND MUST NOT BE USED EXCEPT IN CONNECTION WITH OUR WORK ALL RIGHTS OF DESIGN AND INVENTION ARE RESERVED THIS IS AN ELECTRONICALLY GENERATED DOCUMENT - DO NOT SCALE THIS PRINT							SIZE	DRAWING NO.	REV.
							B	SS620845	C