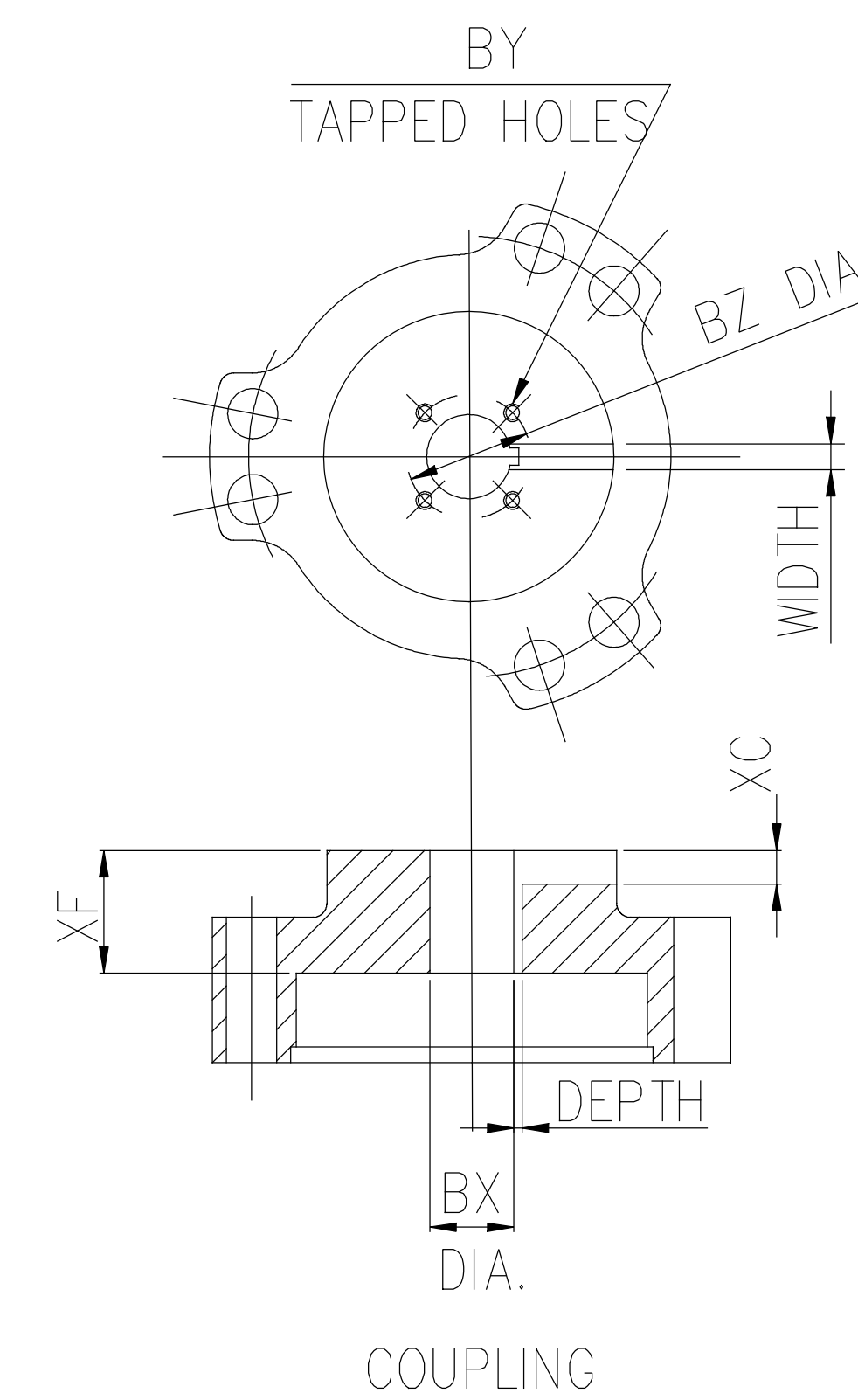
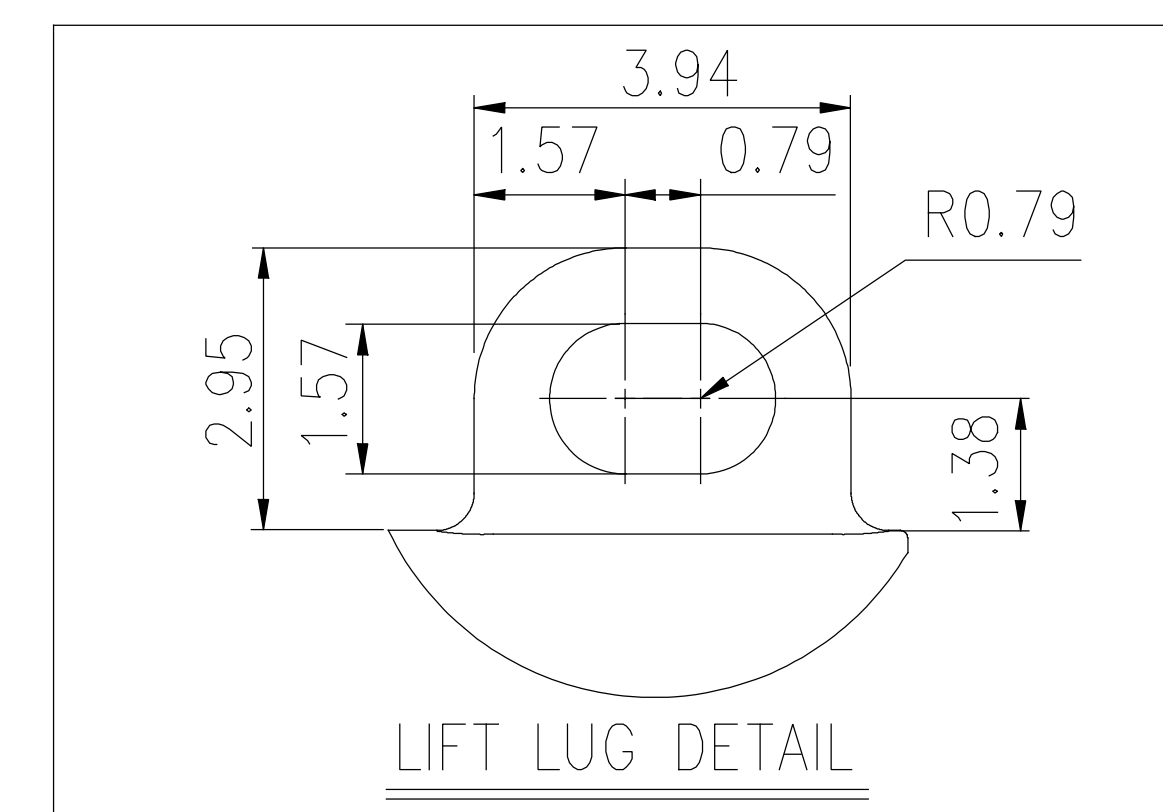
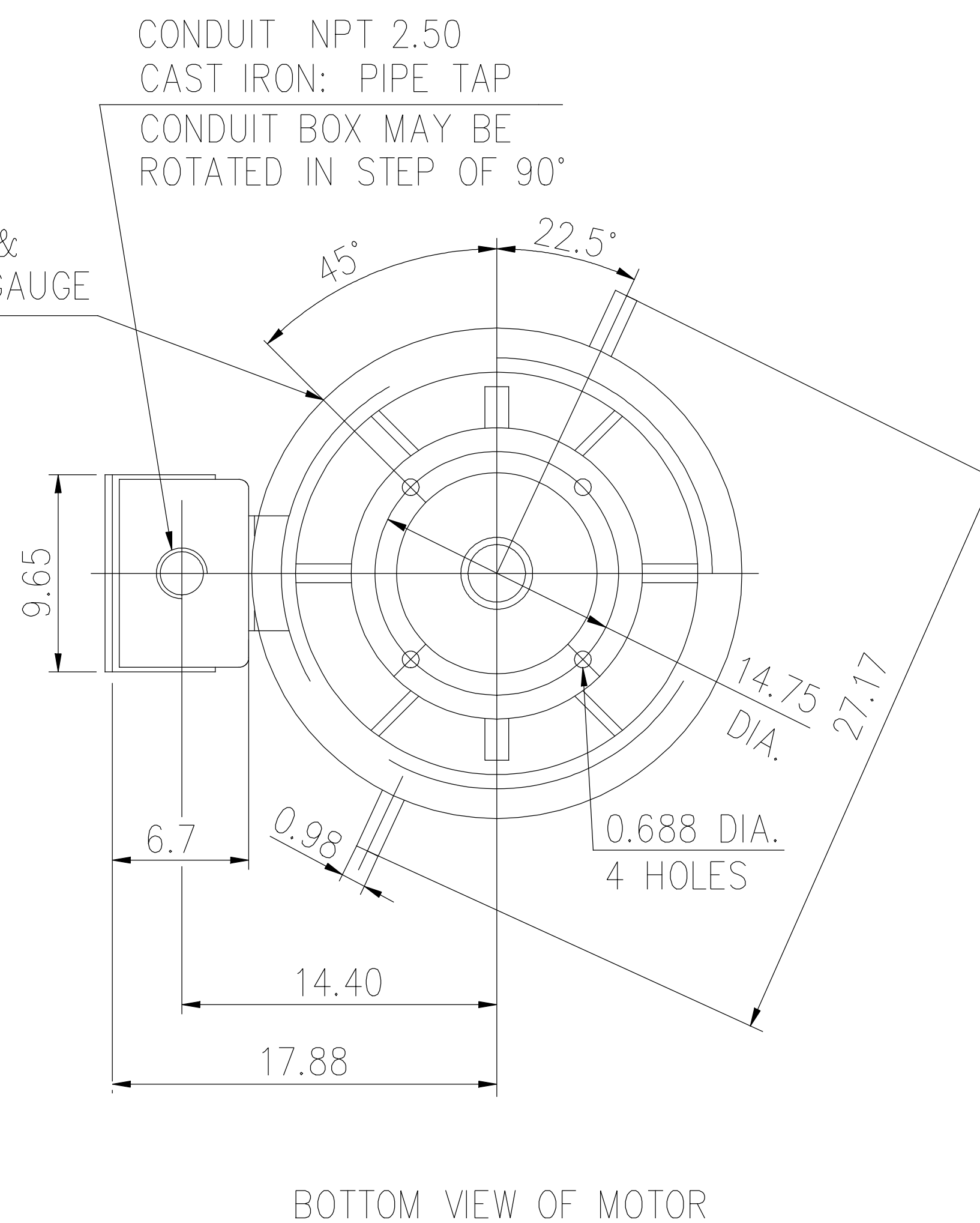
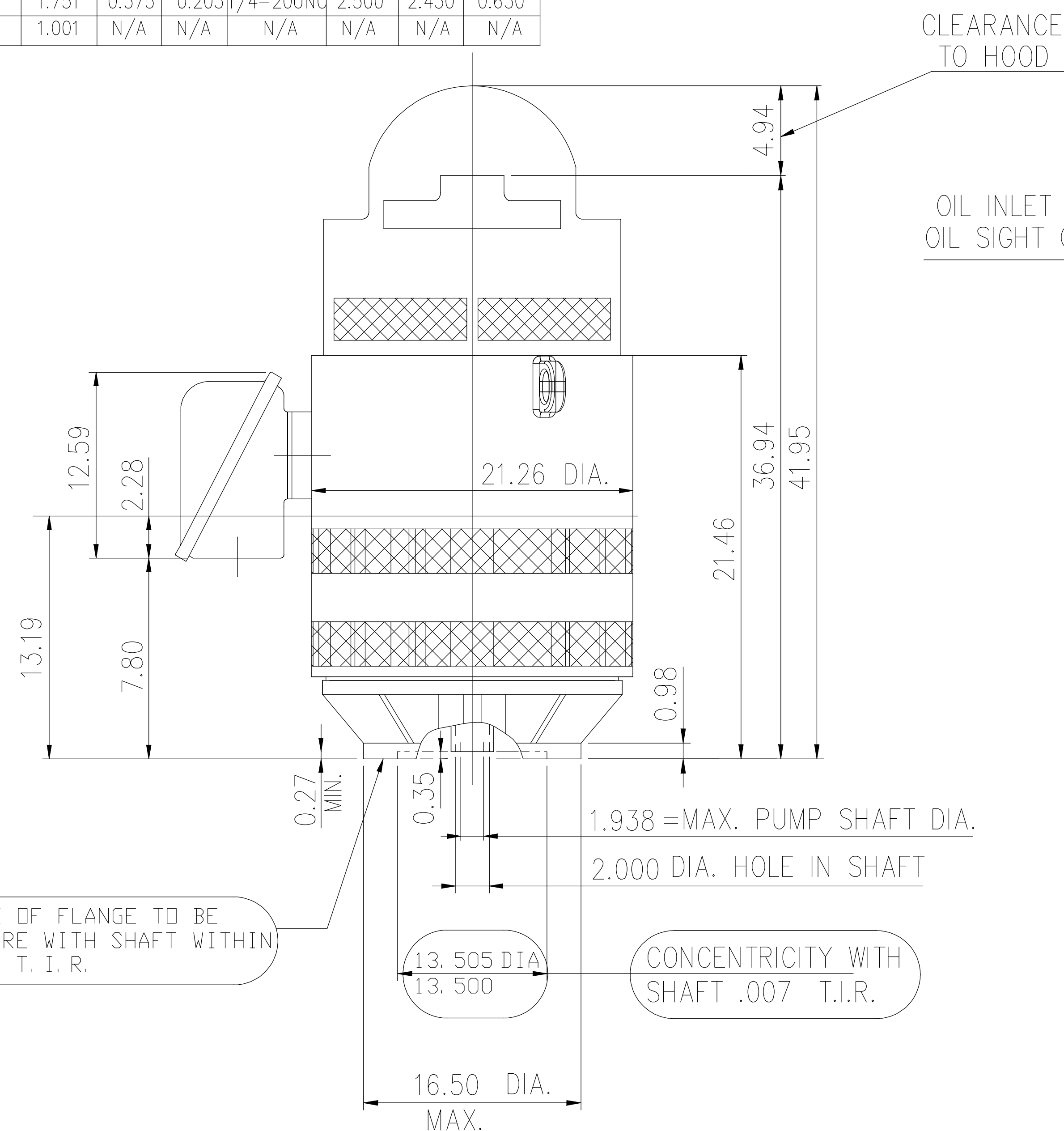


SS620842

COUPLING	BX DIA.	KEYWAY		BY	BZ	XF	XC
		WIDE	DEEP				
	1.188	0.250	0.140	1/4-20UNC	1.750	2.430	0.630
	1.251	0.375	0.140	1/4-20UNC	1.750	2.430	0.630
	1.438	0.375	0.140	1/4-20UNC	2.120	2.430	0.630
	1.501	0.375	0.140	1/4-20UNC	2.120	2.430	0.630
	1.688	0.375	0.203	1/4-20UNC	2.500	2.430	0.630
	1.751	0.375	0.203	1/4-20UNC	2.500	2.430	0.630
	1.001	N/A	N/A	N/A	N/A	N/A	N/A



- (1) DIMENSIONS ARE IN INCHES.
- (2) DRIVE END BEARING 6314
OPPOSITE DRIVE END BEARING 7222B
- (3) APPROXIMATE WEIGHT = 1460 LBS

- (4) END OF LINE TESTS - SPECIFIC TO EACH RATING
 - *NO LOAD AMPS @ FULL VOLTAGE
 - *NO LOAD WATTS @ FULL VOLTAGE
 - *VIBRATION MEETS MG-1 STANDARD
 - BALANCE 0.15 IN/S 3.8 MM/S

		TOLERANCES UNLESS SPECIFIED		REGAL REGAL - BELOIT CORPORATION		DRAWN	
		DEC.	INCHES			CHK	
		.X	±.1			APPD	
C	UPDATED PER MARK-UPS ECO-0151417	WGJ	9-11-2018	AL	.XX	±.03	SCALE
B	RE-PUBLISHED ECO-0125813	WGJ	6-21-2017	EMH	.XXX	±.005	REF
A	RELEASED FOR PRODUCTION ECO-0125213	WGJ	6-13-2017	AL	.XXXX	±.0005	FMF
NO.	REVISION	BY & DATE	CHK	ANG	±7'30"	FINISH	PREV
THIS DRAWING IN DESIGN AND DETAIL IS OUR PROPERTY AND MUST NOT BE USED EXCEPT IN CONNECTION WITH OUR WORK ALL RIGHTS OF DESIGN AND INVENTION ARE RESERVED THIS IS AN ELECTRONICALLY GENERATED DOCUMENT - DO NOT SCALE THIS PRINT				RFP	CAD FILE	SIZE	DRAWING NO.
				DIST		B	SS620842
							REV. C