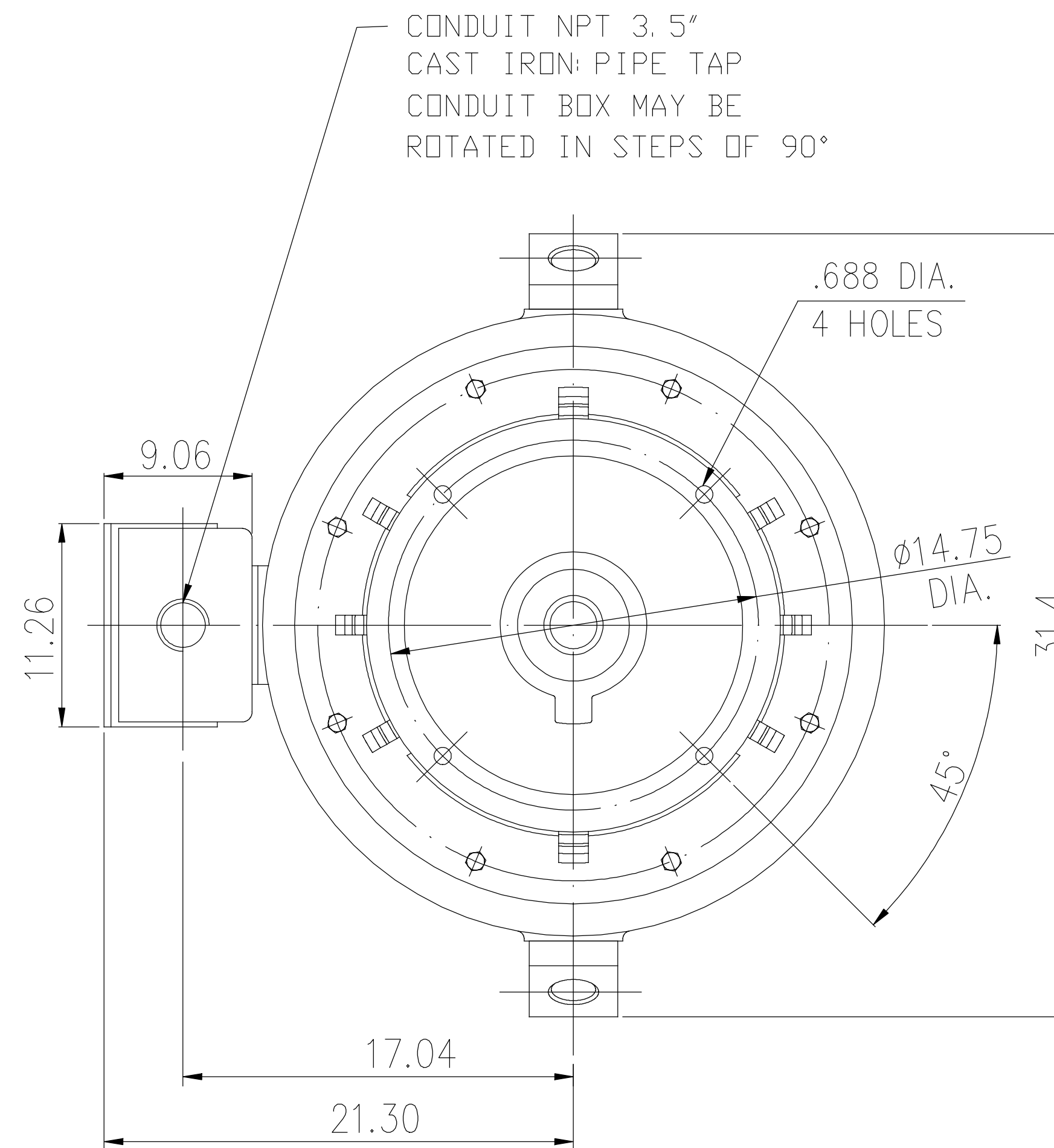
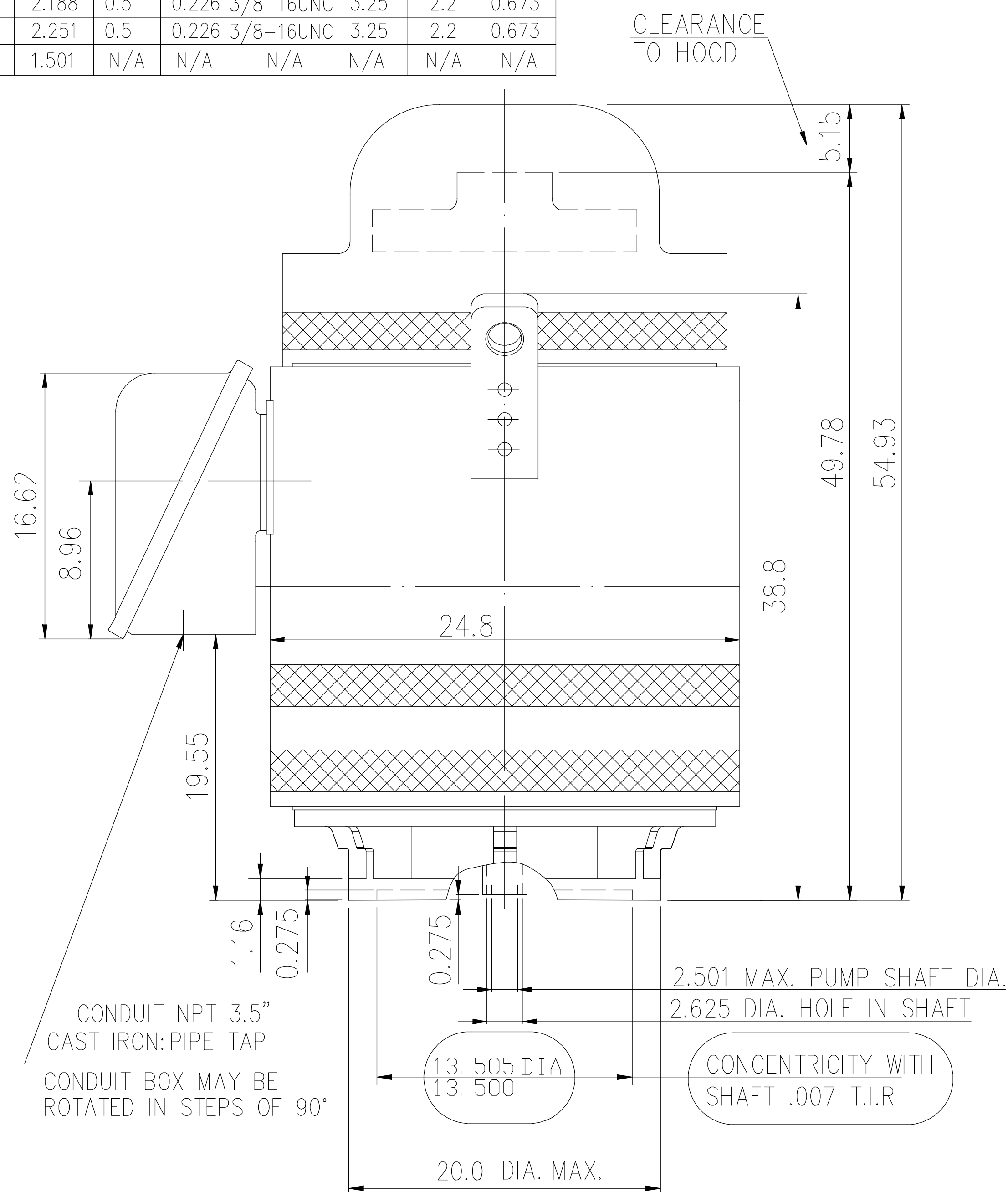
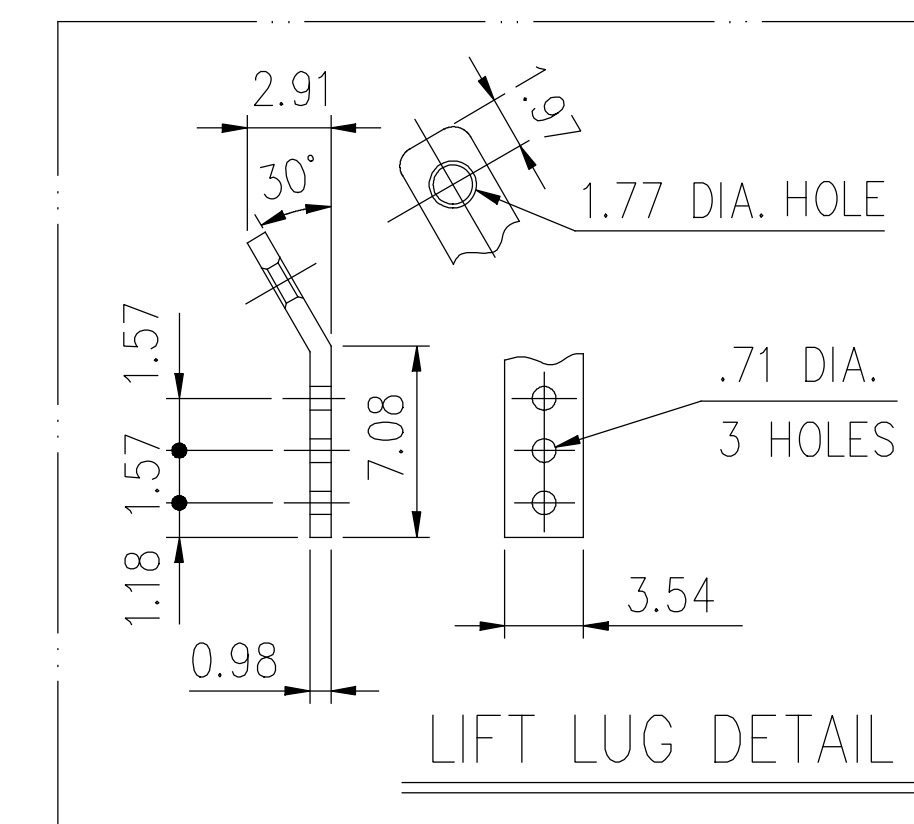
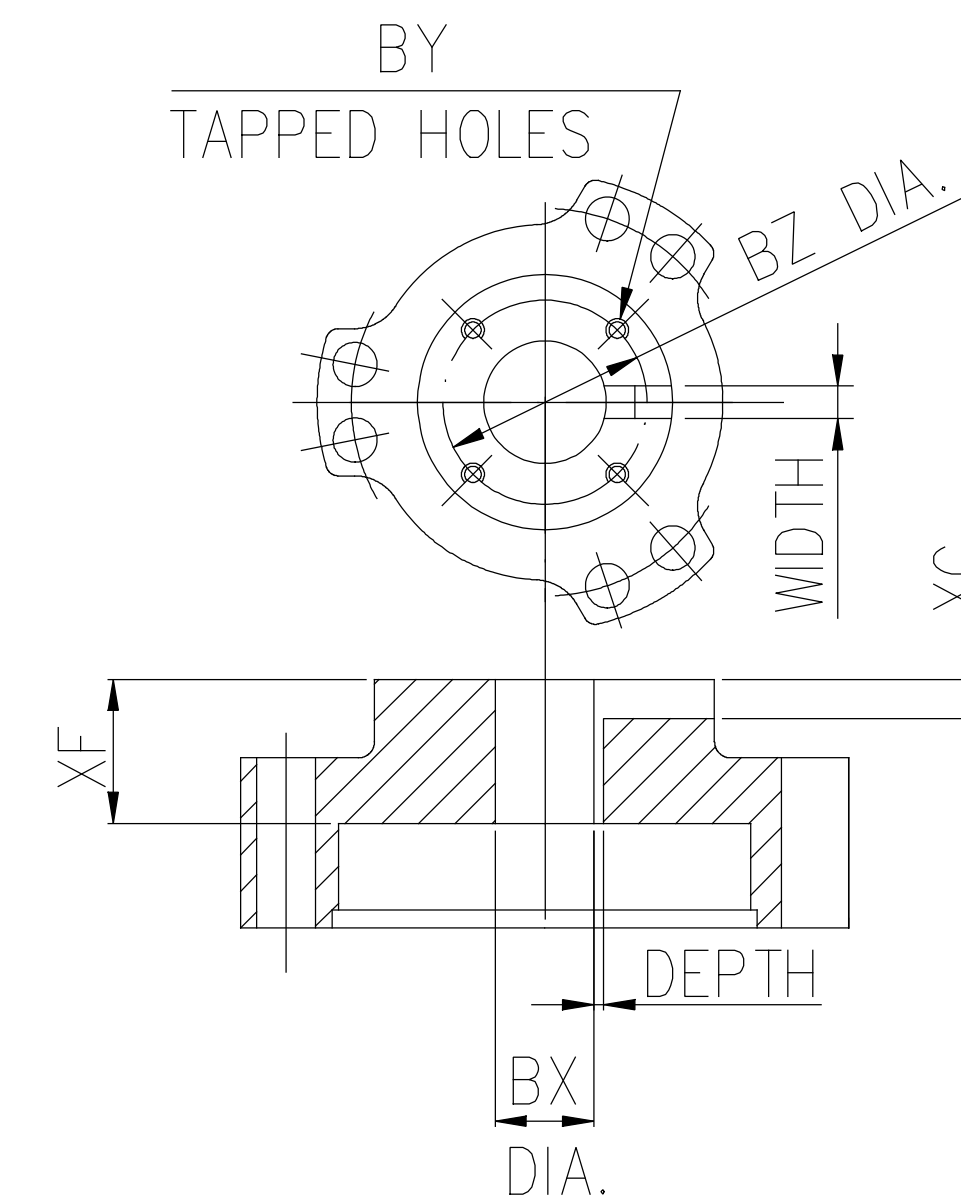


COUPLING	BX DIA.	KEYWAY		BY	BZ	XF	XC
		WIDE	DEEP				
	1.501	0.375	0.168	1/4-20UNC	2.125	2.2	0.547
	1.688	0.375	0.171	1/4-20UNC	2.5	2.2	0.547
	1.938	0.5	0.222	1/4-20UNC	2.5	2.2	0.673
	2.188	0.5	0.226	3/8-16UNC	3.25	2.2	0.673
	2.251	0.5	0.226	3/8-16UNC	3.25	2.2	0.673
	1.501	N/A	N/A	N/A	N/A	N/A	N/A



BOTTOM VIEW OF MOTOR



LIFT LUG DETAIL

- (1) DIMENSIONS ARE IN INCHES.
- (2) DRIVE END BEARING 6318
OPPOSITE DRIVE END BEARING 7230DT
- (3) APPROXIMATE WEIGHT = 2780 LB
- (4) CALCULATION THRUST 13300 LB

- (4) END OF LINE TESTS - SPECIFIC TO EACH RATING
 - *NO LOAD AMPS @ FULL VOLTAGE
 - *NO LOAD WATTS @ FULL VOLTAGE
 - *VIBRATION MEETS MG-1 STANDARD
 - BALANCE 0.15 IN/S 3.8 MM/S

				TOLERANCES UNLESS SPECIFIED		REGAL REGAL - BELOIT CORPORATION		DRAWN	
				DEC.	INCHES			CHK	
				.X	±.1			APPD	
				.XX	±.03	TITLE		SCALE	
B	UPDATED PER MARK-UPS	ECO-0151417	WGJ	9-11-2018	AL	.XXX	±.005	449TP20 FRAME	
A	RELEASED FOR PRODUCTION	ECO-0125213	WGJ	6-13-2017	AL	.XXXX	±.0005	REF	
NO.	REVISION		BY & DATE	CHK	ANG	±7'30"		PREV	
THIS DRAWING IN DESIGN AND DETAIL IS OUR PROPERTY AND MUST NOT BE USED EXCEPT IN CONNECTION WITH OUR WORK ALL RIGHTS OF DESIGN AND INVENTION ARE RESERVED THIS IS AN ELECTRONICALLY GENERATED DOCUMENT - DO NOT SCALE THIS PRINT				RFP	CAD FILE		SIZE	DRAWING NO.	REV.
				DIST			B	SS620846	B