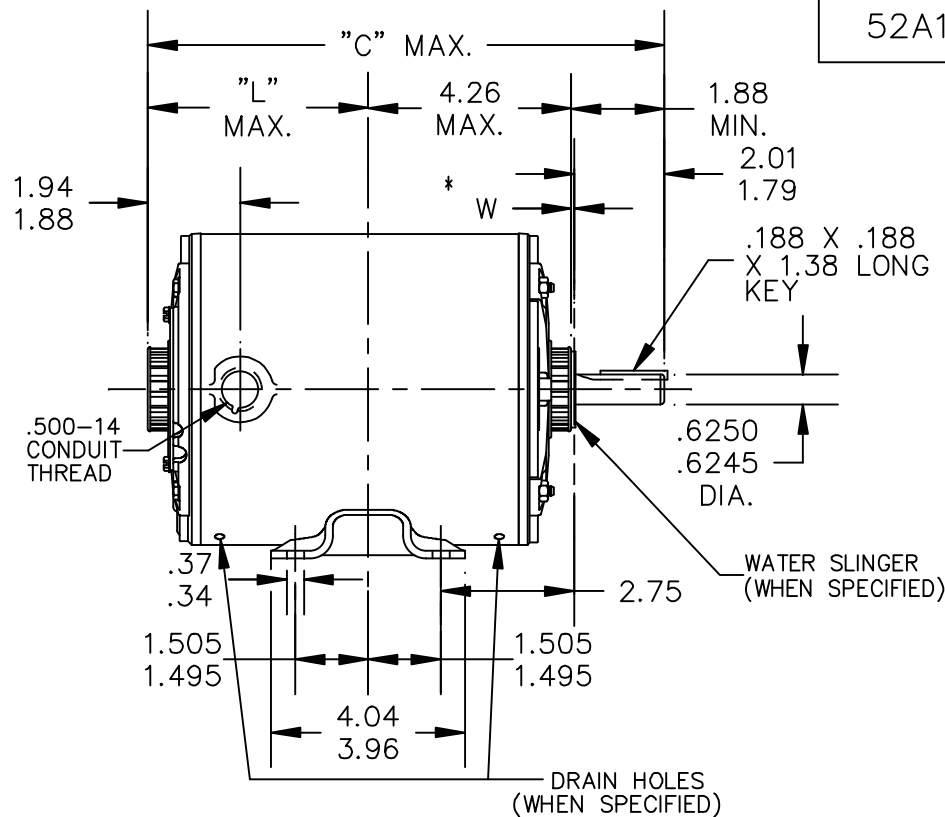
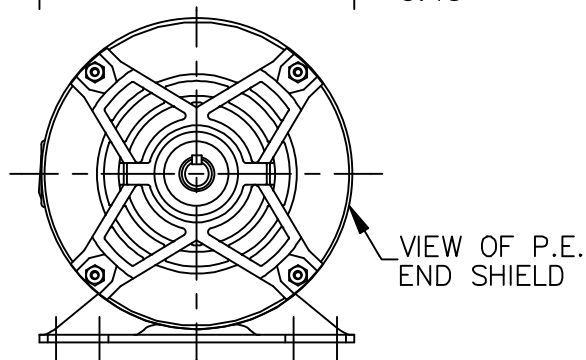
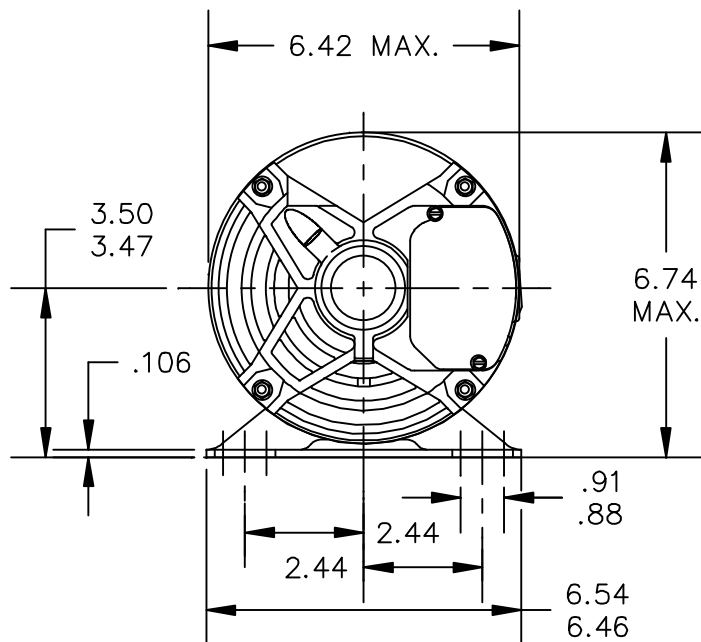


52A109628



ALL DIMENSIONS ARE IN INCHES

7	K	49	56	9.57	3.41		5.34
6	K	48	56	12.66	6.50		8.43
5	K	49	56	11.91	5.75		7.68
4	K	49	56	11.38	5.22		7.15
3	K	46	56	10.78	4.62		6.55
2	K	49	56	10.38	4.22		6.15
1	K	42	56	9.95	3.79		5.72
P	TYPE	RBC SIZE	NEMA FR.	"C"	"L"		MIN. SHELL

* W IS A VARIABLE CLEARANCE DUE TO VARIATIONS IN PARTS AND ASSEMBLY

				TOLERANCES UNLESS SPECIFIED		DRAWN M.D.P 06/03/94	
				DEC.	INCHES	CHK	
				.X	±0.1	APPD M.D.P 06/03/94	
5	REDRAWN IN DRAFT SIGHT	UD 10/08/12	PKG	.XX	±0.02	TITLE OUTLINE	
4	CHG TO RBC FORMAT PER ISO5-1777	SD 03/21/06		.XXX	±0.005	TEN V - BALL BEARING - WELDED BASE FMF - 40 FRAME REDESIGN(5K49SN4095)	
3	ADDED DRAIN HOLES.	M.D.P 08/18/95		.XXXX	±0.0005	SCALE 1=1	
NO.	REVISION	BY & DATE	CHK	ANG	±1.0	REF	
				RFP	CAD FILE	52A109628	SIZE A
				DIST			DRAWING NO. 52A109628
							REV. 5

THIS DRAWING IN DESIGN AND DETAIL IS OUR PROPERTY AND MUST NOT BE USED EXCEPT IN CONNECTION WITH OUR WORK ALL RIGHTS OF DESIGN AND INVENTION ARE RESERVED THIS IS AN ELECTRONICALLY GENERATED DOCUMENT - DO NOT SCALE THIS PRINT