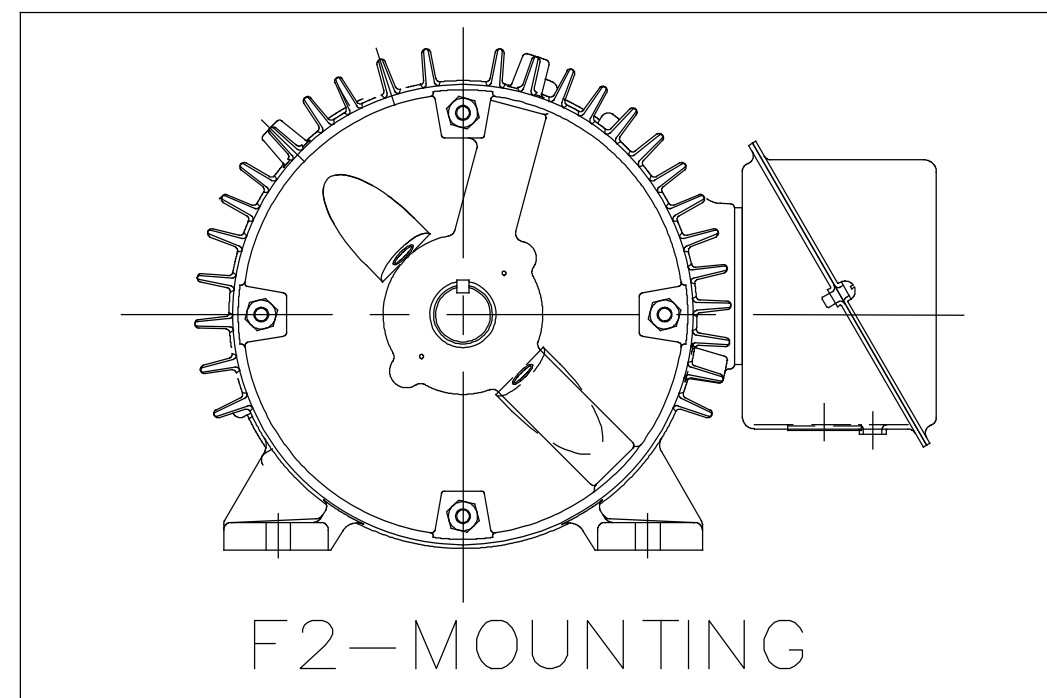


NOTES:

- 1- BOX CAN BE ROTATED IN 90° STEPS.
- 2- BOX CAN BE MOUNTED ON OPPOSITE SIDE BY REMOVING BRACKETS AND TURNING FRAME 180°.
- 3- FRONT GREASE HOLE LOCATIONS SHOWN WITH HIDDEN LINES.



| DASH | FR.  | B    | C     | BS   | 2F   |
|------|------|------|-------|------|------|
| 525  | 143T | 5.00 | 10.43 | 2.81 | 4.00 |
| 625  | 145T | 6.00 | 11.43 | 3.81 | 5.00 |

| NO.  | REVISION   | BY & DATE      | CHK | ANG   | ±7'30" | TOLERANCES UNLESS SPECIFIED |        | MARATHON ELECTRIC         | DRAWN RM 10-27-1992 |
|--|--|----------------|-----|-------|--------|-----------------------------|--------|---------------------------|---------------------|
|  |  |                |     |       |        | DEC.                        | INCHES |                           |                     |
| 11   | ADDED DIA .104 HOLES ON DRAWING                  | UD 09/06/2018  |     |       |        |                             |        |                           | CHK ML 10-28-1992   |
| 10   | ADDED F2-MOUNTING                                | PST 05/05/2014 | SM  |       |        |                             |        |                           | APPD GK 10-28-1992  |
| 9  | CORRECTED FOOT MOUNTING DIMENSIONS               | DRS 10-13-2005 |     | .X    | ±.1    |                             |        |                           | SCALE 11=32         |
| 8  | REDRAWN IN AUTOCAD                               | TAT 06-29-2004 | ML  | .XX   | ±.03   |                             |        | TITLE OUTLINE             | REF                 |
| 7  | BA TOLERANCE CHANGED TO ±.090 CN 27601           | CAE 03-12-1999 |     | .XXX  | ±.005  |                             |        | 140T FR. - BB - TS - TENV | FMF                 |
| 6  | REV. -525 BS DIM. TO 2.81, WAS 3.51 CN 25600-161 | BLR 04-22-1998 |     | .XXXX | ±.0005 |                             |        | MAT'L.                    | PREV                |
|  |  |                | RFP |       |        |                             |        | FINISH                    |                     |
| THIS DRAWING IN DESIGN AND DETAIL IS OUR PROPERTY AND MUST NOT BE USED EXCEPT IN CONNECTION WITH OUR WORK ALL RIGHTS OF DESIGN AND INVENTION ARE RESERVED THIS IS AN ELECTRONICALLY GENERATED DOCUMENT - DO NOT SCALE THIS PRINT |  |                |     |       |        |                             |        | CAD FILE 100655           | SIZE A              |
|  |  |                |     |       |        |                             |        | DRAWING NO. 100655        | PAGE OF REV. 1110   |
|  |  |                |     |       |        |                             |        | DIST LB-WP                |                     |