

4

3

Uncontrolled Copy

2

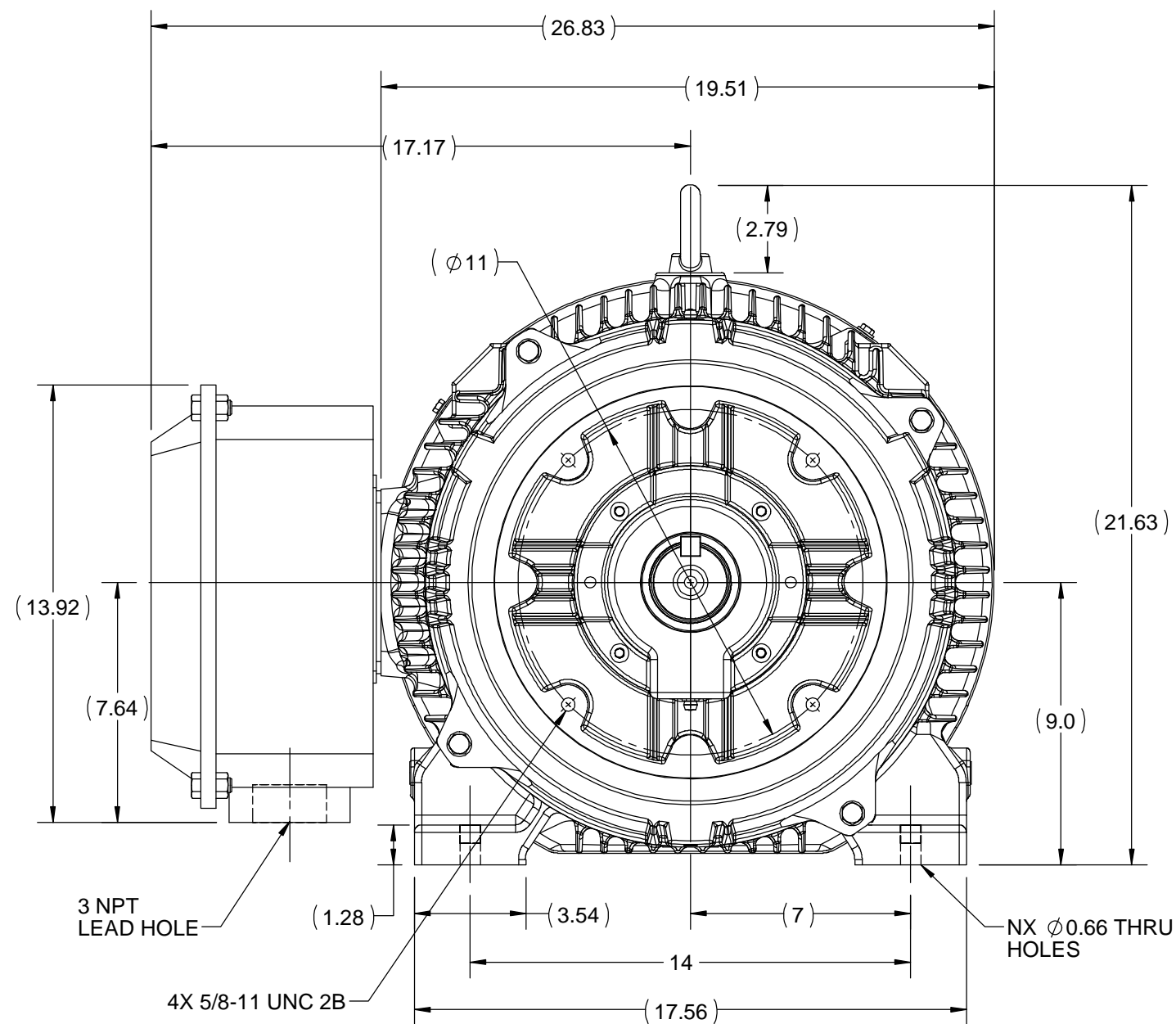
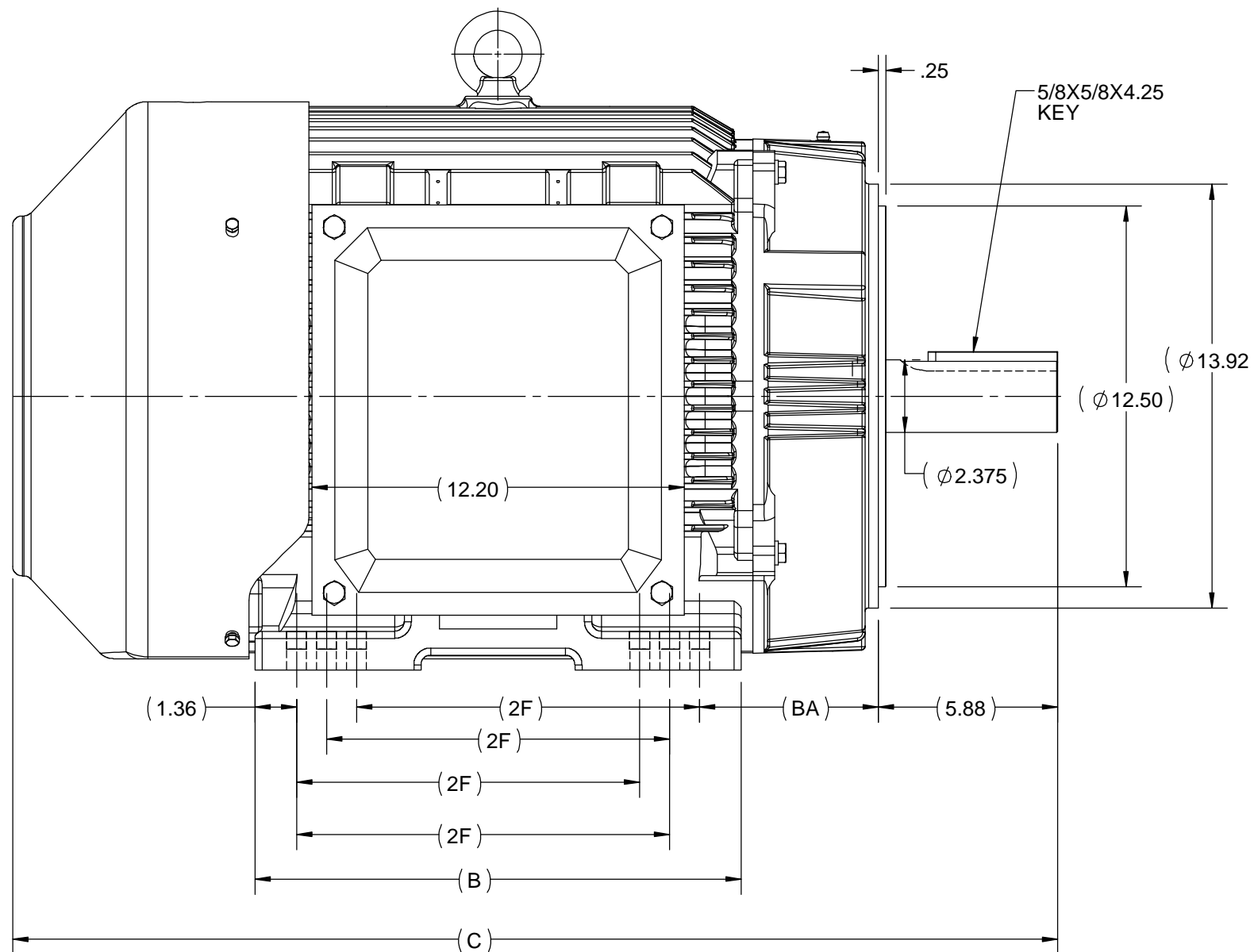
1

B

B

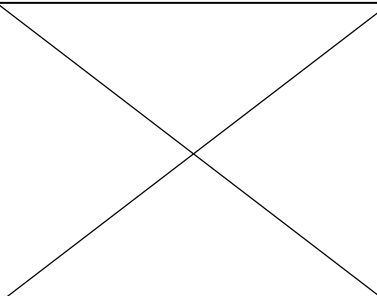
A

A



| | | | | | |
|-------|-------|-------|-------|----|------|
| 365TC | 15.94 | 34.30 | 12.25 | 12 | 5.88 |
| 364TC | 14.96 | 33.32 | 11.25 | 8 | 5.88 |
| FRAME | B | C | 2F | N | BA |

DRAWING REVISION B
 REVISION BY S.MUDDA
 DATE 24/8/2018
 ECO ECO-0151027
 APPROVED BY JAY
 DATE 24/8/2018
 ECO DESCRIPTION
 OUTLINE UPDATED AS PER NEW 3D STRUCTURING
 COPYRIGHT REGAL BELOIT AMERICA, INC. ALL RIGHTS RESERVED.
 PROPRIETARY AND CONFIDENTIAL INFORMATION - THIS DOCUMENT IS THE PROPERTY OF REGAL BELOIT AMERICA, INC. ("OWNER") AND CONTAINS OWNER'S PROPRIETARY INFORMATION. ANY PERSON, CORPORATION OR OTHER FIRM RECEIVING IT IS DEEMED, BY RECEIVING IT, TO AGREE THAT IT, AND/OR ANY PART OF IT, SHALL NOT BE DISCLOSED TO ANY PERSON, CORPORATION OR OTHER ENTITY, DUPLICATED, AND/OR USED, EXCEPT AS EXPRESSLY APPROVED IN WRITING IN ADVANCE BY OWNER. THIS DOCUMENT SHALL BE RETURNED TO OWNER UPON REQUEST. IT MAY BE SUBJECT TO CERTAIN RESTRICTIONS UNDER APPLICABLE EXPORT CONTROL LAWS AND REGULATIONS.



DRAWN BY NIV
 DATE 29/03/2016
 APPROVED BY SBD
 DATE 29/03/2016
 REFERENCE
 THIRD ANGLE PROJECTION

REGAL™ Regal Beloit America, Inc.
 DESCRIPTION
OUTLINE
 360TC FR-TEFC
 MATERIAL
 PROCESS/FINISH
 SIZE **B** DRAWING NUMBER **SS557001** SHEET 1 OF 1

4

3

2

1