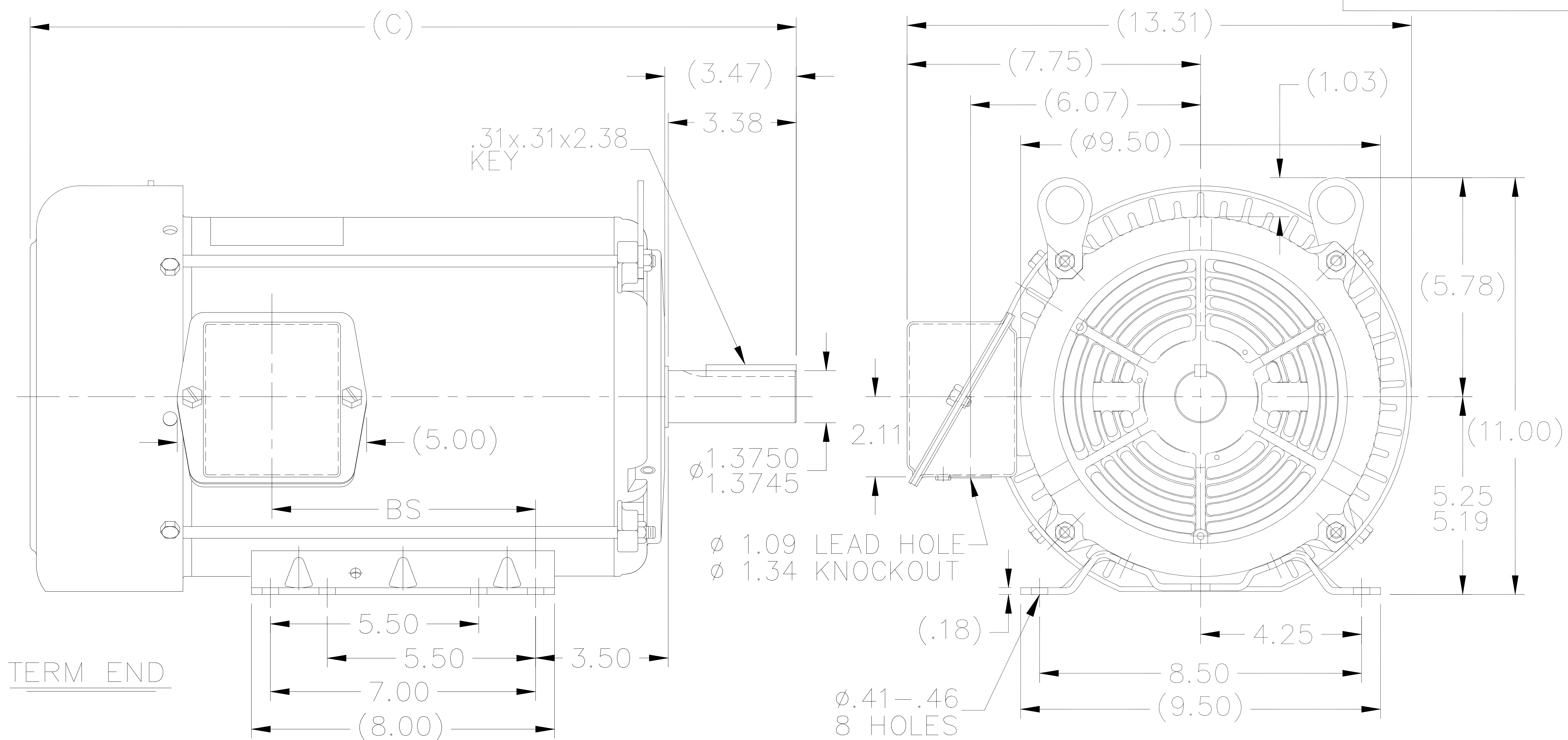


SS86560



- NOTES:
1. NAMEPLATE TO BE READ FROM C'BOX SIDE OF MOTOR.
 2. BOX CAN BE MOUNTED IN 90° STEPS.
 3. BOX CAN BE MOUNTED ON OPPOSITE SIDE BY REMOVING BRACKETS AND TURNING FRAME 180°. (EXCEPT AS NOTED.)

DASH	FR.	C	BS	MOUNTING
965	213/15T	18.73	5.43	
1115	213/15T	20.23	6.93	
1240	213/15T	21.48	8.18	F1 ONLY

NO.	REVISION	BY & DATE	CHK	ANG	TOLERANCES UNLESS SPECIFIED	FINISH	PREV
7	TITLE BLOCK LOGO CHANGE PER ECO-0078542	MDV 06/09/2015					DRAWN DA 08-26-1994
6	RE-ISSUED: REDRAWN AND REVISED DASH 965	ERH 12-04-2003			DEC. INCHES		CHK ML 08-29-1994
5	UPDATED C'BOX GEOMETRY CN 28425	DRS 01-31-2000		.X	\pm .1		APPD DRN 08-29-1994
4	REMOVED GRD. SCREW FROM FRAME CN 24453	MJD 10-01-1997		.XX	\pm .03	TITLE OUTLINE	SCALE 1=4
3	REV.(13.21) WAS (12.39)&(3.47) WAS 3.47 CN23925-481	MH 09-10-1997		.XXX	\pm .005	210T FR. - BB - TS - TEFC - R/S	REF
2	UPDATED PER REDESIGN CN 21725-775	DA 08-13-1996		.XXXX	\pm .0005	MAT'L.	FMF
					\pm 7'30"		

THIS DRAWING IN DESIGN AND DETAIL IS OUR PROPERTY AND MUST NOT BE USED EXCEPT IN CONNECTION WITH OUR WORK ALL RIGHTS OF DESIGN AND INVENTION ARE RESERVED THIS IS AN ELECTRONICALLY GENERATED DOCUMENT - DO NOT SCALE THIS PRINT		RFP	CAD FILE ss86560	SIZE A	DRAWING NO. SS86560	PAGE OF	REV. 7
		DIST LB					

