

4

3

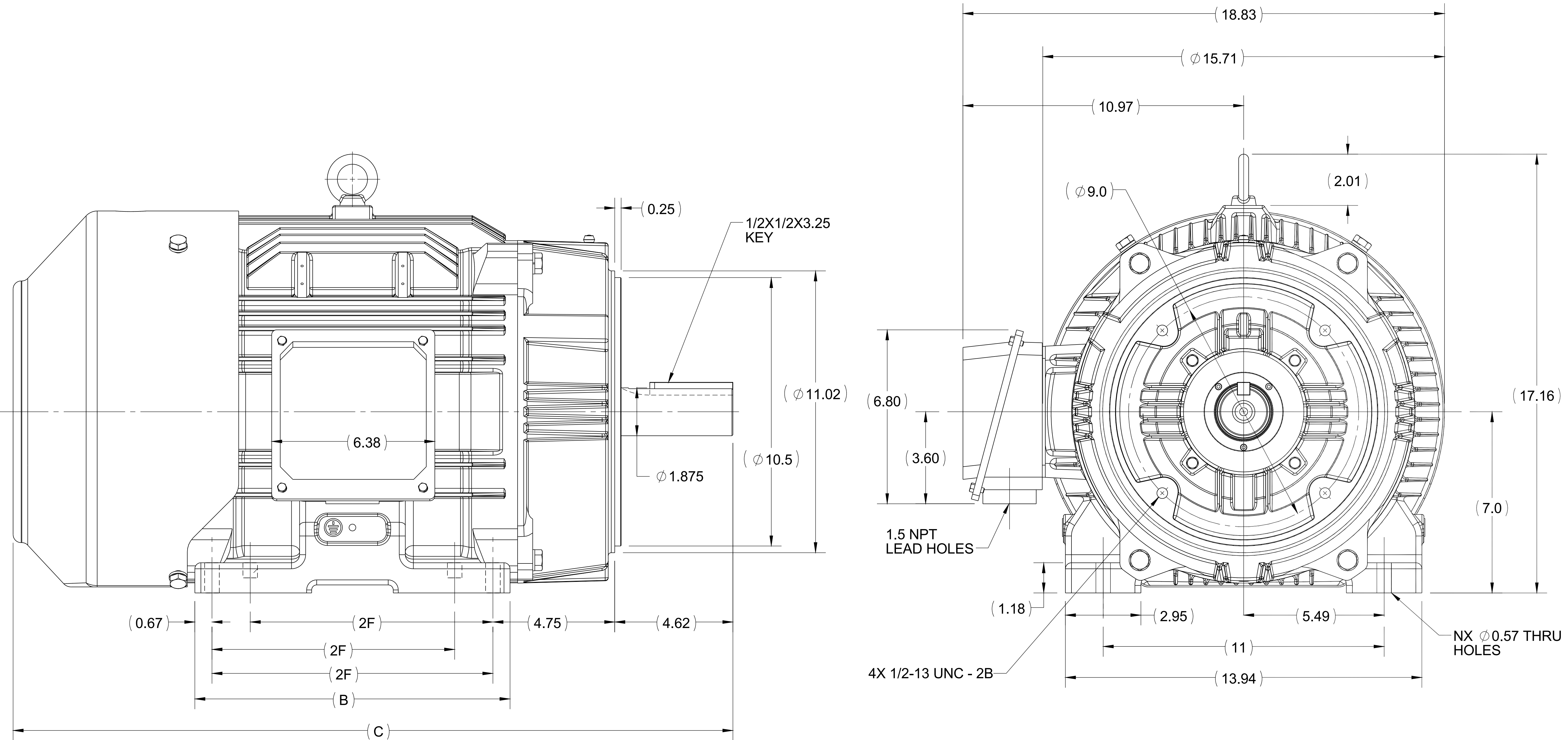
2

1

# OUTLINE

B

B

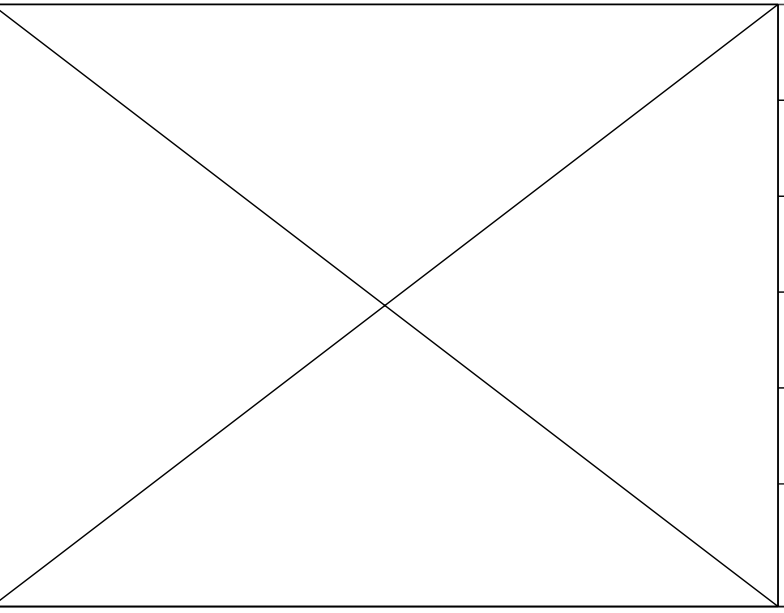


A

A

286	12.32	28.14	11	8
284	10.82	26.65	9.5	4
FRAME	B	C	2F	N

DRAWING REVISION A	REVISION BY UDAY	DATE 08/09/2015
ECO ECO-0084584	APPROVED BY SBD	DATE 08/09/2015
ECO DESCRIPTION		
<p><small>COPYRIGHT REGAL BELOIT AMERICA, INC. ALL RIGHTS RESERVED. PROPRIETARY AND CONFIDENTIAL INFORMATION - THIS DOCUMENT IS THE PROPERTY OF REGAL BELOIT AMERICA, INC. ("OWNER") AND CONTAINS OWNER'S PROPRIETARY INFORMATION. ANY PERSON, CORPORATION OR OTHER FIRM RECEIVING IT IS DEEMED, BY RECEIVING IT, TO AGREE THAT IT, AND/OR ANY PART OF IT, SHALL NOT BE DISCLOSED TO ANY PERSON, CORPORATION OR OTHER ENTITY, DUPLICATED, AND/OR USED, EXCEPT AS EXPRESSLY APPROVED IN WRITING IN ADVANCE BY OWNER. THIS DOCUMENT SHALL BE RETURNED TO OWNER UPON REQUEST. IT MAY BE SUBJECT TO CERTAIN RESTRICTIONS UNDER APPLICABLE EXPORT CONTROL LAWS AND REGULATIONS.</small></p>		



DRAWN BY SMAR
DATE 06/07/2015
APPROVED BY SBD
DATE 06/07/2015
REFERENCE
THIRD ANGLE PROJECTION

		REGAL-BELOIT CORPORATION
DESCRIPTION		
<p><b>OUTLINE</b> 284/286TC FR-TEFC-CAST IRON</p>		
MATERIAL	PROCESS/FINISH	
SIZE B	DRAWING NUMBER SS620701	SHEET 1 OF 1

4

3

2

1