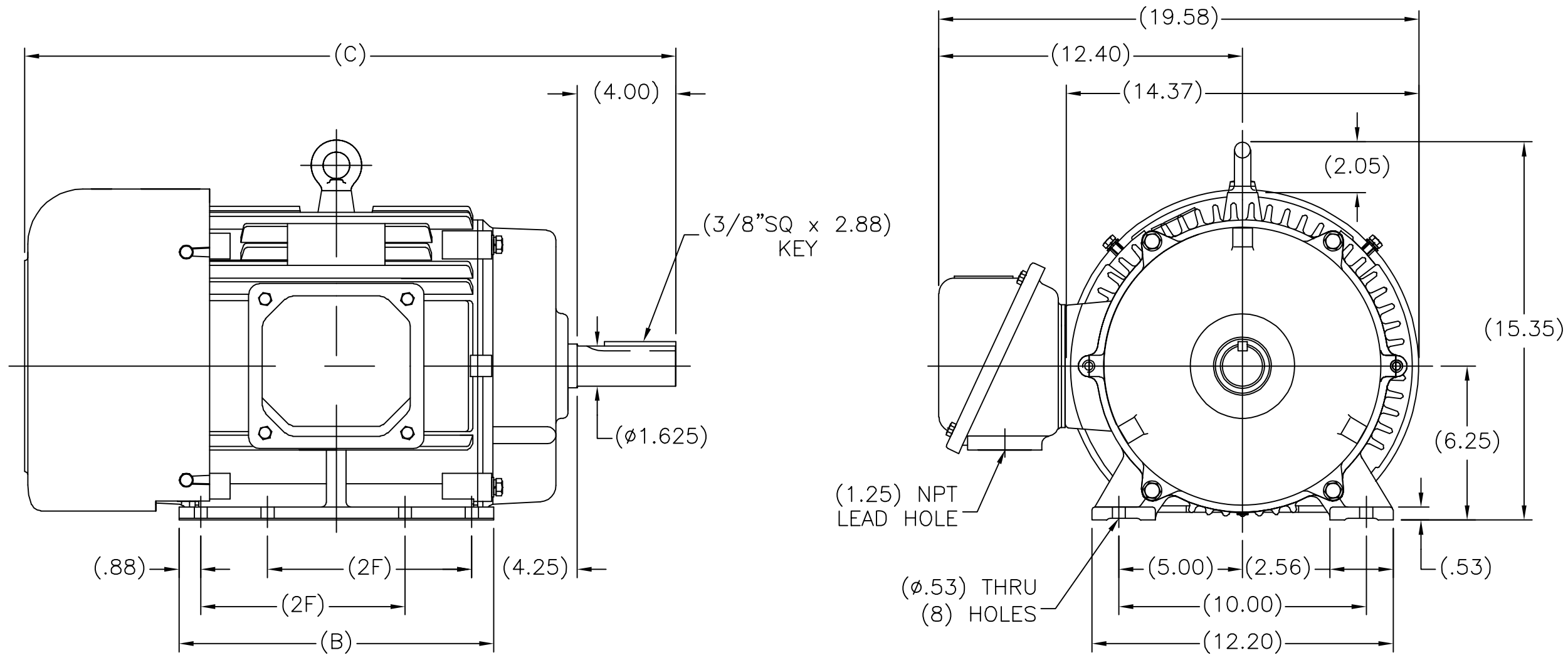


SS620244



(MAY NOT BE DRAWN TO SCALE)

(DIMENSIONS IN TABLE ARE CONSIDERED REFERENCE)

254T	26.60	12.80	8.25
256T	27.80	13.98	10.00
FRAME	C	B	2F

		TOLERANCES UNLESS SPECIFIED		DRAWN MSG 01-12-2010	
		DEC.	INCHES	CHK MJS 01-13-2010	
		.X	±.1	APPD SB 01-13-2010	
		.XX	±.03	SCALE 1=4	
		.XXX	±.005	REF	
D	CHANGED BORDER LOGO TO "REGAL" ECO-0075536	WGJ	04-09-2015	EH	.XXXX ±.0005
NO.	REVISION	BY & DATE	CHK	ANG	±7'30"
THIS DRAWING IN DESIGN AND DETAIL IS OUR PROPERTY AND MUST NOT BE USED EXCEPT IN CONNECTION WITH OUR WORK ALL RIGHTS OF DESIGN AND INVENTION ARE RESERVED THIS IS AN ELECTRONICALLY GENERATED DOCUMENT - DO NOT SCALE THIS PRINT		RFP	01-14-2010	CAD FILE	SS620244
		DIST		SIZE	DRAWING NO. PAGE OF REV.
				B	SS620244 D



TITLE OUTLINE
254T FR. - TEFC

MAT'L.

FINISH