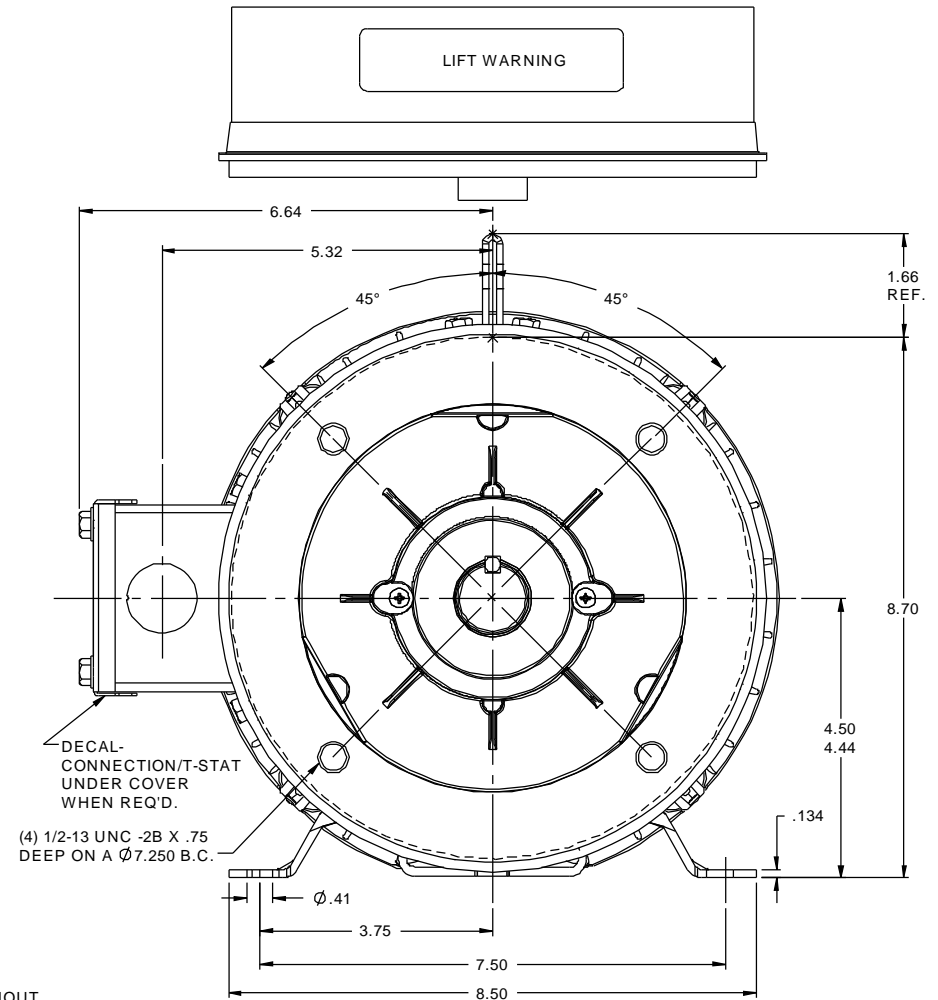
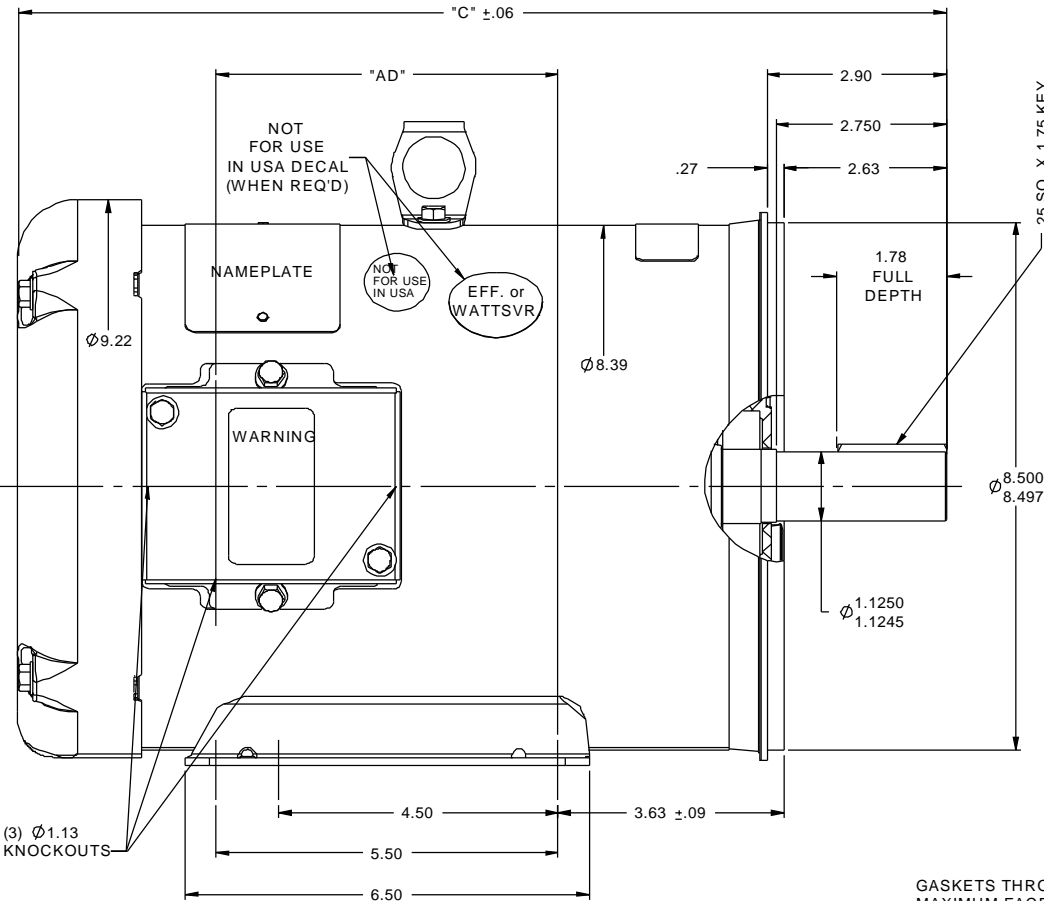


RBC PROPRIETARY AND CONFIDENTIAL INFORMATION  
 This document is the property of REGAL-BELOIT CORPORATION ("RBC") including its subsidiaries and divisions and contains proprietary information of RBC. This document is loaned on the express condition that neither the information contained therein shall be disclosed to others without the express written consent of RBC, and that the information shall be used by the recipient only as approved expressly by RBC. This document shall be returned to RBC upon request. This document may be subject to certain restrictions under U.S. export control laws and regulations.



GASKETS THROUGHOUT  
 MAXIMUM FACE RUNOUT TO BE .004 T.I.R.  
 MAXIMUM PILOT ECCENTRICITY TO BE .004 T.I.R.  
 PERMISSIBLE SHAFT RUNOUT TO BE .002 T.I.R.

DASH NO.	"C"	"AD"
850	13.97	4.50
900	14.47	5.00
950	14.97	5.50
1000	15.47	6.00
1050	15.97	6.50
1100	16.47	7.00
1150	16.97	7.50

				TOLERANCES UNLESS SPECIFIED		DRAWN RDW 1/21/03	
				DEC	INCHES	CHK	
				X	±.1	APPR SW 1/21/03	
				XX	±.03	SCALE 1:2	
1	ADDED DECAL NOT FOR USE IN USA	GR 06/04/12	JD	XXX	±.005	REF 035346	
-	UPDATED & REDRAWN IN SOLIDWORKS	LST 12/17/2009	XX	XXXX	±.0005	FMF	
NO	REVISION	BY & DATE	CHK	ANG	±1/2°	PAGE OF	
THIRD ANGLE PROJECTION			RFP		PREV	SIZE	DRAWING NO
			NETWORK FILE NAME		B	035453	REV
						1	



TITLE OUTLINE - 180TC FRAME  
 TEFC - RIGID "C"