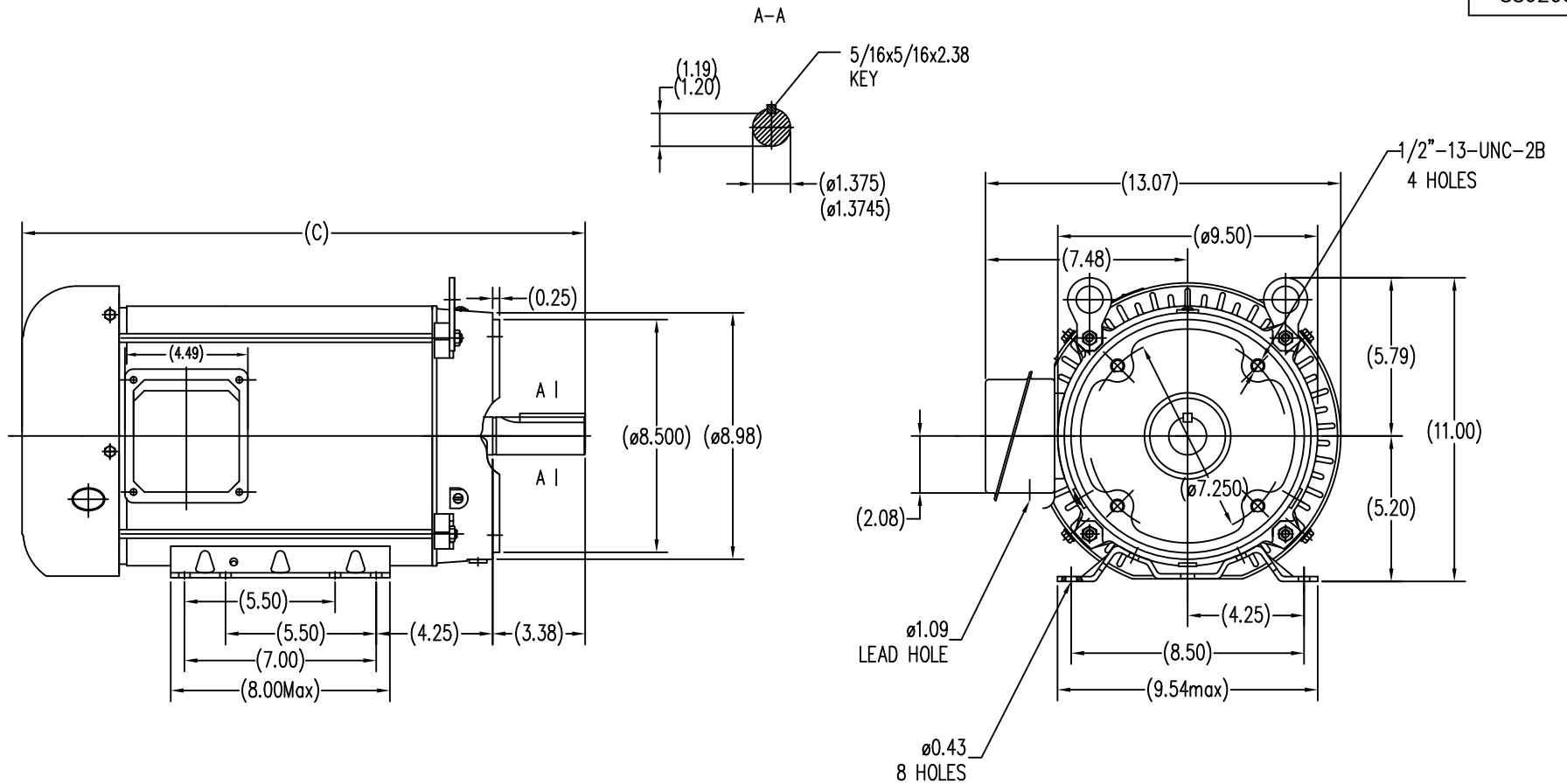


SS620688



213TC	19.1
215TC	20.7
FRAME	C

TOLERANCES UNLESS SPECIFIED		REGAL REGAL-BELOIT CORPORATION		DRAWN ZKW 06-03-2015	
DEC.	INCHES	CHK	ZL	06-03-2015	
.X	±.1	APPD	ZYH	06-03-2015	
.XX	±.03	TITLE		SCALE	
.XXX	±.005	213/215TC-Face TEFC ROLLED STEEL		REF	
.XXXX	±.0005	MAT'L		FMF REGAL-WUXI	
NO.	REVISION	BY & DATE	CHK	ANG	
THIS DRAWING IN DESIGN AND DETAIL IS OUR PROPERTY AND MUST NOT BE USED EXCEPT IN CONNECTION WITH OUR WORK. ALL RIGHTS OF DESIGN AND INVENTION ARE RESERVED. THIS IS AN ELECTRONICALLY GENERATED DOCUMENT - DO NOT SCALE THIS PRINT		RFP	CAD FILE	SS620688	SIZE
		DIST			B
		DRAWING NO.		REV.	
		SS620688		2	