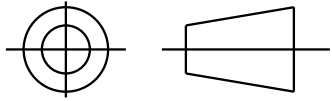


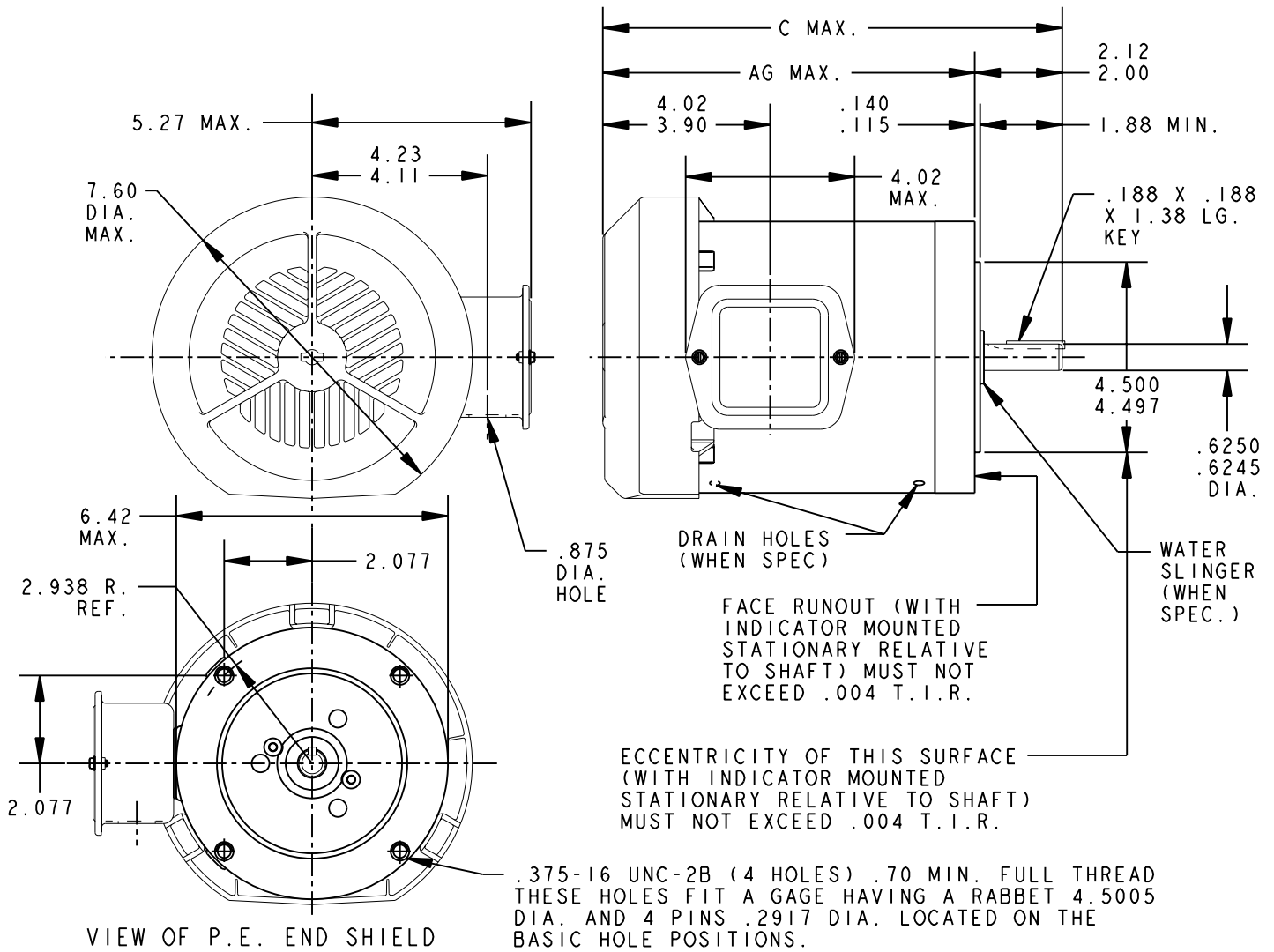
SHEET 1  
REV 8  
52A107814  
SIZE DRAWING NO. A

THIRD ANGLE PROJECTION



REVISIONS


REV.	DESCRIPTION	DATE	APPROVED
7	ADDED PART #6.	09/13/94	M.A.M.
8	CHG TO RBC FORMAT PER ISO5-1777	03/03/06	SUDHA



VIEW OF P.E. END SHIELD

5	K	49	56C	12.97	10.85	7.68								
4	K	46	56C	11.84	9.72	6.55								
3	K	49	56C	12.44	10.32	7.15								
2	K	42	56C	11.01	8.89	5.72								
I	K	49	56C	11.44	9.32	6.15	6	K	49	56C	10.63	8.51	5.34	
P	TYPE	GE SIZE	NEMA FR.	C	AG	MIN. SHELL	P	TYPE	GE SIZE	NEMA FR.	C	AG	MIN. SHELL	

SIGNATURES		DATE
MODEL	B. JOHNSON	09/11/92
DETAIL	.	.
CHECKED	.	.
ENGRG	.	.
MFG	.	.
FOR ADDITIONAL INFO REFER TO:	QUALITY	.
APPLIED PRACTICES	ISSUED	M.D. PAPE 07/28/94
DIMENSIONS ARE IN INCHES ✓	SOLID MODEL: 52A107814	



**REGAL-BELOIT CORPORATION**

TITLE **OUTLINE**

**FMF - 40 FRAME REDESIGN - 5K49GN2008**

**GENERAL PUPPOSE MOTOR - TEFC - BALL BEARING - R2 END MOUNTED**

SCALE: 0.250 REF. No: . SHEET 1 of 1

SIZE DRAWING	52A107814	REV
A	8	8