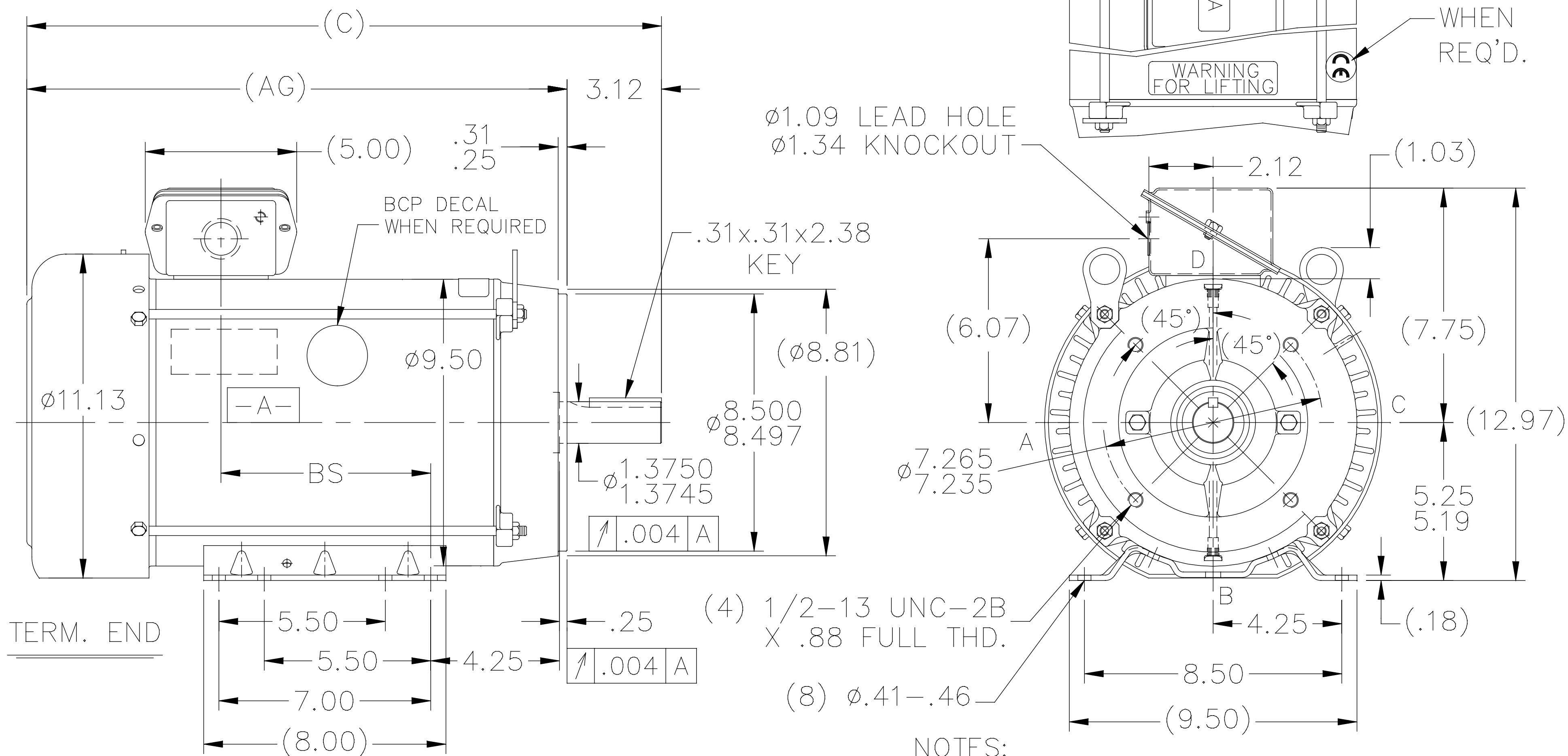


| DASH | FR.     | C     | AG    | BS   |
|------|---------|-------|-------|------|
| 965  | 213T    | 19.47 | 16.35 | 5.43 |
| 1115 | 213/15T | 20.97 | 17.85 | 6.93 |
| 1240 | 213/15T | 22.22 | 19.10 | 8.18 |

SS88794



NOTES:  
1. NAMEPLATE READ FROM LOCATION AT "C".

|  |   |                |     |                             |                  |   |                      |             |         |      |
|--|---|----------------|-----|-----------------------------|------------------|---|----------------------|-------------|---------|------|
|  |   |                |     | TOLERANCES UNLESS SPECIFIED |                  | <b>REGAL</b> ™ Regal Beloit America, Inc. | DRAWN TAT 08-13-2004 |             |         |      |
|  |   |                |     | DEC.                        | INCHES           |   | CHK ML 08-13-2004    |             |         |      |
|  |   |                |     | .X                          | ±.1              |   | APPD TB 08-13-2004   |             |         |      |
|  |   |                |     | .XX                         | ±.03             | TITLE OUTLINE - F3 C'BOX MOUNTING         | SCALE                | 1=5         |         |      |
|  |   |                |     | .XXX                        | ±.005            | 210T FR. -BB-TS-TEFC-R/S - C'FACE         | REF                  |             |         |      |
| 1  | TITLE BLOCK LOGO CHANGE PER ECO-0078542 | MDV 06/09/2015 |     | .XXXX                       | ±.0005           | MAT'L.                                    | FMF                  |             |         |      |
| NO.  | REVISION                                | BY & DATE      | CHK | ANG                         | ±7'30"           | FINISH                                    | PREV                 |             |         |      |
| THIS DRAWING IN DESIGN AND DETAIL IS OUR PROPERTY AND MUST NOT BE USED EXCEPT IN CONNECTION WITH OUR WORK ALL RIGHTS OF DESIGN AND INVENTION ARE RESERVED THIS IS AN ELECTRONICALLY GENERATED DOCUMENT - DO NOT SCALE THIS PRINT |   |                |     | RFP                         | CAD FILE ss88794 |   | SIZE                 | DRAWING NO. | PAGE OF | REV. |
|  |   |                |     | DIST LB                     |                  |   | A                    | SS88794     | 1       | 1    |