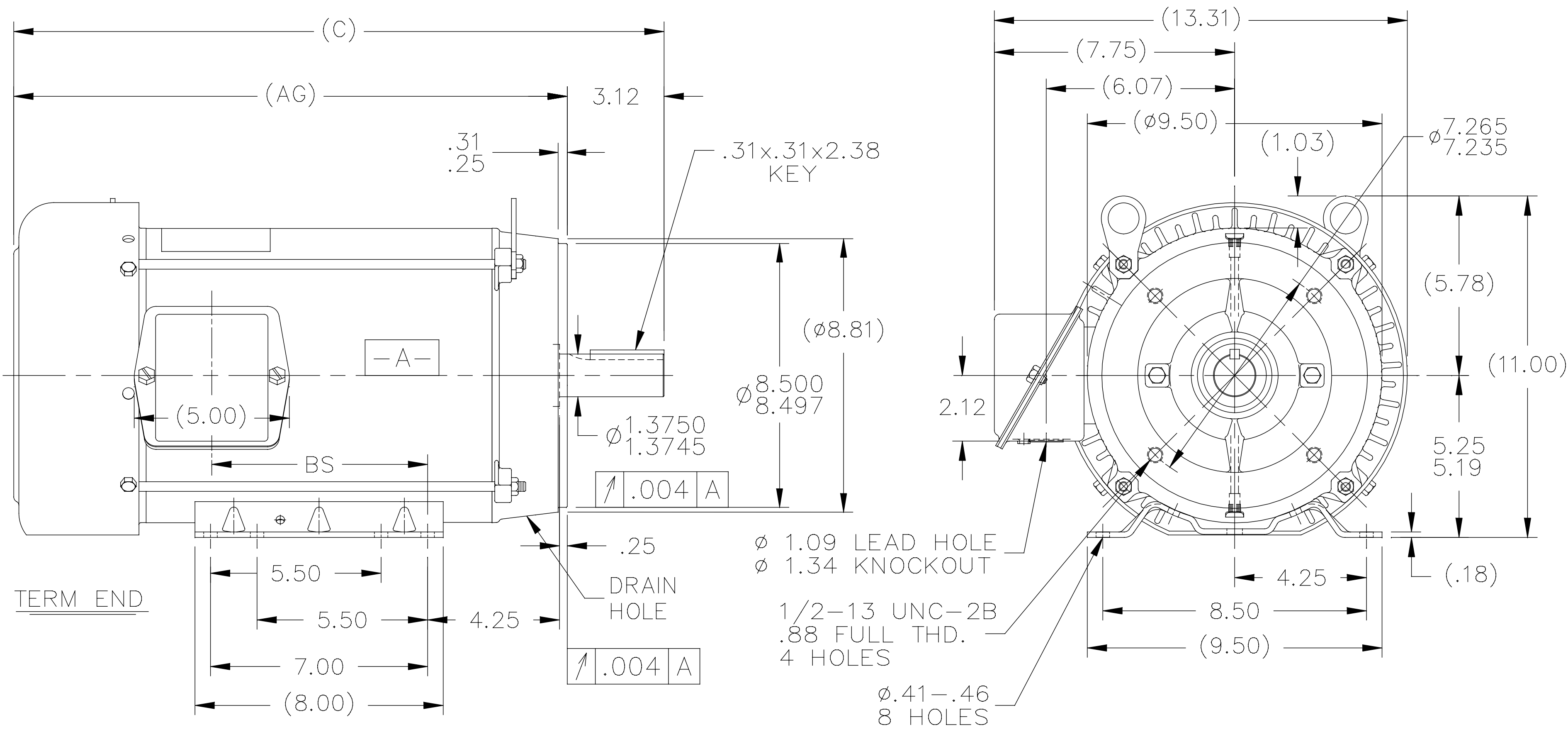



SS88652



ϕ 1.09 LEAD HOLE
 ϕ 1.34 KNOCKOUT
 1/2-13 UNC-2B
 .88 FULL THD.
 4 HOLES
 ϕ .41-.46
 8 HOLES

- NOTES:
1. NAMEPLATE TO BE READ FROM C'BOX SIDE OF MOTOR.
 2. BOX CAN BE MOUNTED IN 90° STEPS.
 3. BOX CAN BE MOUNTED ON OPPOSITE SIDE BY REMOVING BRACKETS AND TURNING FRAME 180° (EXCEPT AS NOTED.)
 4. BASE IS REMOVABLE.
 5. PROVISIONS ONLY FOR DRIP COVER.

DASH	FR.	C	AG	BS	MOUNTING
965	213T	19.47	16.35	5.43	
1115	213/15T	20.97	17.85	6.93	
1240	213/15T	22.22	19.10	8.18	F1 ONLY

NO.	REVISION	BY & DATE	CHK	TOLERANCES UNLESS SPECIFIED		 Regal Beloit America, Inc.	DRAWN NJS 05-01-2002	
				DEC.	INCHES			CHK
5	TITLE BLOCK LOGO CHANGE PER ECO-0078542	MDV 06/09/2015		DEC.	INCHES	TITLE OUTLINE - TEFC 210T FR. - BB - TS - R/S - C'FACE	APPD DR 05-02-2002	
4	UPDATED DRAWING	TJW 05/04/2007		.X	±.1		SCALE 1=5	
3	RELOCATED DRAIN HOLE CN 35571	DRS 12-02-2002	ML	.XX	±.03	MAT'L. FINISH	REF	
2	ADDED DRAIN HOLE CN 31828	MSG 09-23-2002		.XXX	±.005		FMF	
1	NEW DRAWING MU41351	NJS 05-03-2002	DR	.XXXX	±.0005	PREV		
THIS DRAWING IN DESIGN AND DETAIL IS OUR PROPERTY AND MUST NOT BE USED EXCEPT IN CONNECTION WITH OUR WORK ALL RIGHTS OF DESIGN AND INVENTION ARE RESERVED THIS IS AN ELECTRONICALLY GENERATED DOCUMENT - DO NOT SCALE THIS PRINT			RFP	CAD FILE ss88652		SIZE	DRAWING NO. PAGE OF	REV.
			DIST LB			A	SS88652	5