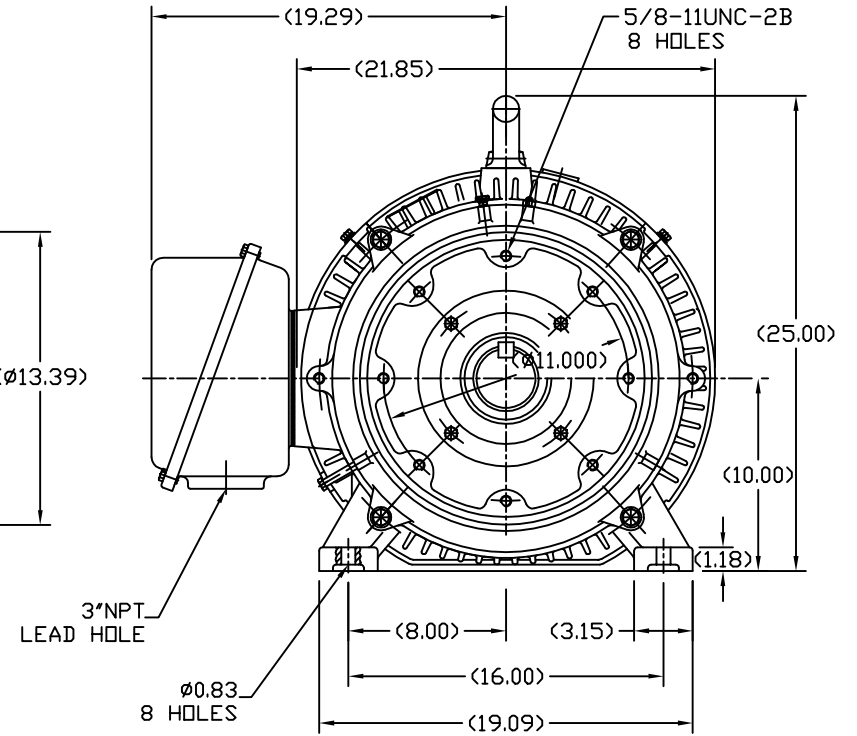
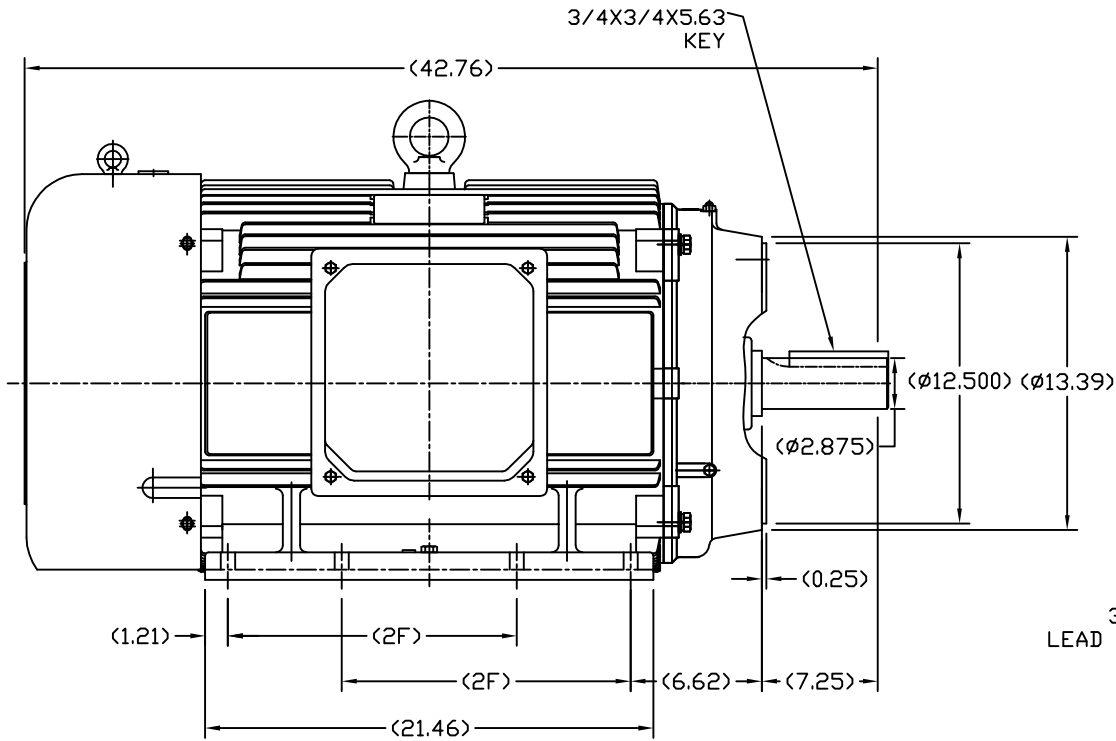


SS620306



404TC	12.25
405TC	13.75
FRAME	2F

TOLERANCES UNLESS SPECIFIED		REGAL-BELOIT CORPORATION		DRAWN SY 4-21-2010	
DEC.	INCHES	REGAL-BELOIT CORPORATION		CHK	HZJ 4-12-2010
.X	±.1	TITLE		APPD	CL 4-21-2010
.XX	±.03	OUTLINE		SCALE	1=7
.XXX	±.005	404/405TC FR-TEFC-CAST IRON		REF	
.XXXX	±.0005	MAT'L.		FMF	HWADA
ND.	REVISION	BY & DATE	CHK	ANG	±1/2
THIS DRAWING IN DESIGN AND DETAIL IS OUR PROPERTY AND MUST NOT BE USED EXCEPT IN CONNECTION WITH OUR WORK. ALL RIGHTS OF DESIGN AND INVENTION ARE RESERVED. THIS IS AN ELECTRONICALLY GENERATED DOCUMENT - DO NOT SCALE THIS PRINT			RFP	CAD FILE	SS620306
			DIST	SIZE	DRAWING NO.
				B	SS620306
				REV.	