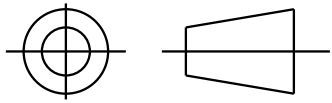


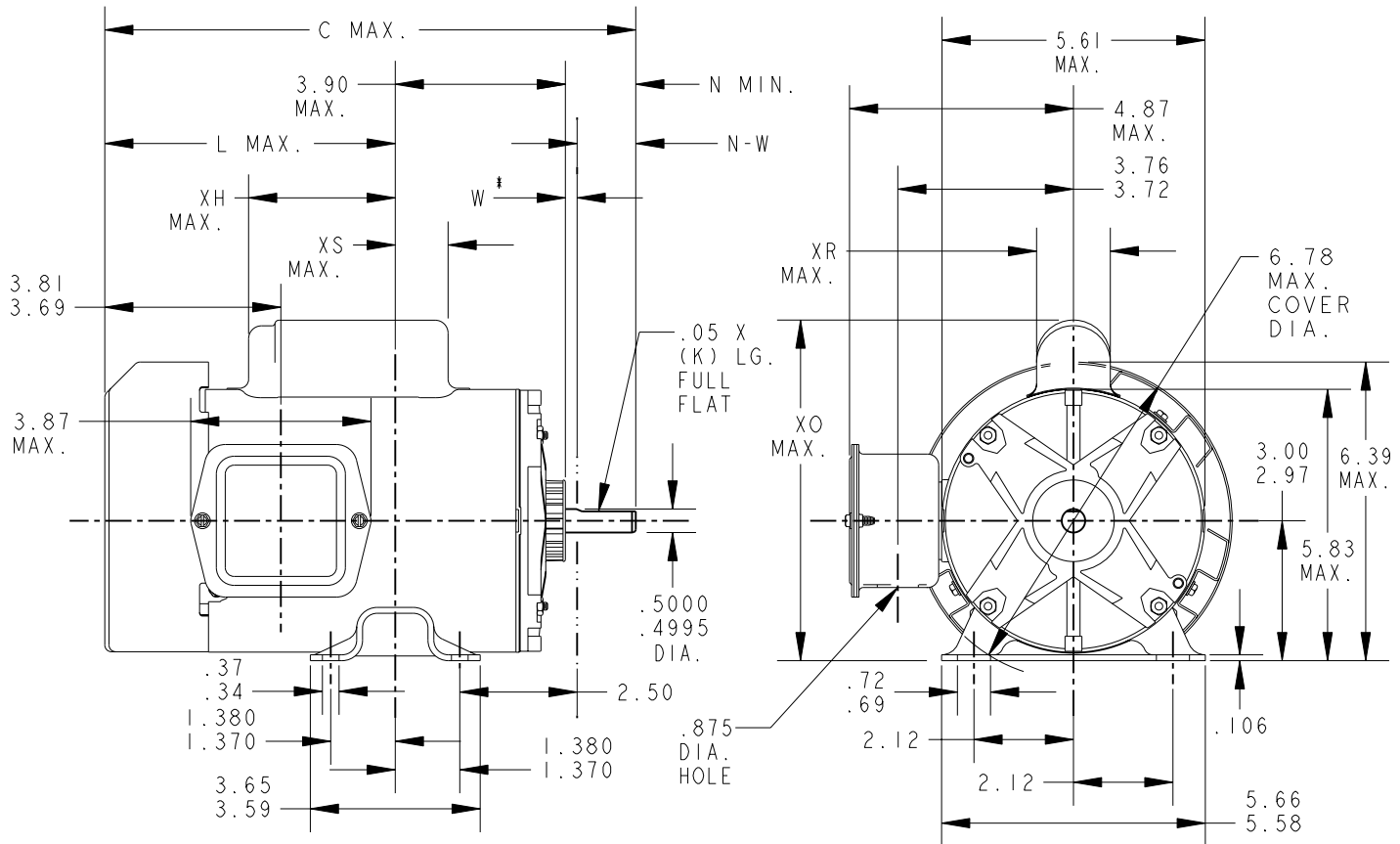
SHEET 1  
 REV 8  
 SIZE DRAWING NO. 52A102057  
 A

THIRD ANGLE PROJECTION




REVISIONS

REV.	DESCRIPTION	DATE	APPROVED
7	ADDED PARTS #10 & #11.	11/04/99	M.D.PAPE
8	CHG TO RBC FORMAT PER ISO5-1777	12/22/05	DURGA



W # IS A CLEARANCE DUE TO VARIATION IN PARTS AND ASSEMBLY

11	KC	36	48Z	11.23	0.50	5.60	1.75	1.88/1.66	3.02	7.31	1.60	2.35	
10	KC	37	48Z	11.63	0.50	6.00	1.75	1.88/1.66	3.42	7.31	1.60	2.35	
9	KC	32	48	10.00	1.16	4.66	1.50	1.63/1.41	2.26	7.31	1.60	2.14	
8	KC	35	48	10.55	1.16	5.17	1.50	1.63/1.41	2.59	7.93	2.22	1.97	
7	KC	33	48	10.17	1.16	4.79	1.50	1.63/1.41	2.21	7.93	2.22	2.35	
6	KC	38	48	11.98	1.16	6.60	1.50	1.63/1.41	4.02	7.31	1.60	1.75	
5	KC	37	48	11.38	1.16	6.00	1.50	1.63/1.41	3.42	7.31	1.60	2.35	
4	KC	36	48	10.98	1.16	5.60	1.50	1.63/1.41	3.02	7.31	1.60	2.35	
3	KC	35	48	10.55	1.16	5.17	1.50	1.63/1.41	2.59	7.31	1.60	1.97	
2	KC	33	48	10.17	1.16	4.79	1.50	1.63/1.41	2.21	7.31	1.60	2.35	
1	KC	32	48	9.92	1.16	4.54	1.50	1.63/1.41	2.16	7.31	1.60	2.43	
P	TYPE	GE SIZE	NEMA FR	C	K	L	N	N-W	XH	XO	XR	XS	SHELL LGTH

FOR ADDITIONAL INFO REFER TO: APPLIED PRACTICES DIMENSIONS ARE IN INCHES ✓ MATERIAL	SIGNATURES		DATE	 <b>REGAL-BELOIT CORPORATION</b> TITLE <b>OUTLINE</b> <b>GENERAL PURPOSE MOTOR -FORM N -TOTALLY ENCL.</b> <b>OUTBOARD FAN - WELDED BASE - BALL BEARING</b> SIZE DRAWING <b>52A102057</b> SCALE: 1.000 REF. No: . SHEET 1 of 1
	MODEL			
	DETAIL		FPK 12/20/76	
	CHECKED			
	ENGRG			
MFG				
QUALITY				
ISSUED		BLJ	2/6/91	
SOLID MODEL: 52A102057				