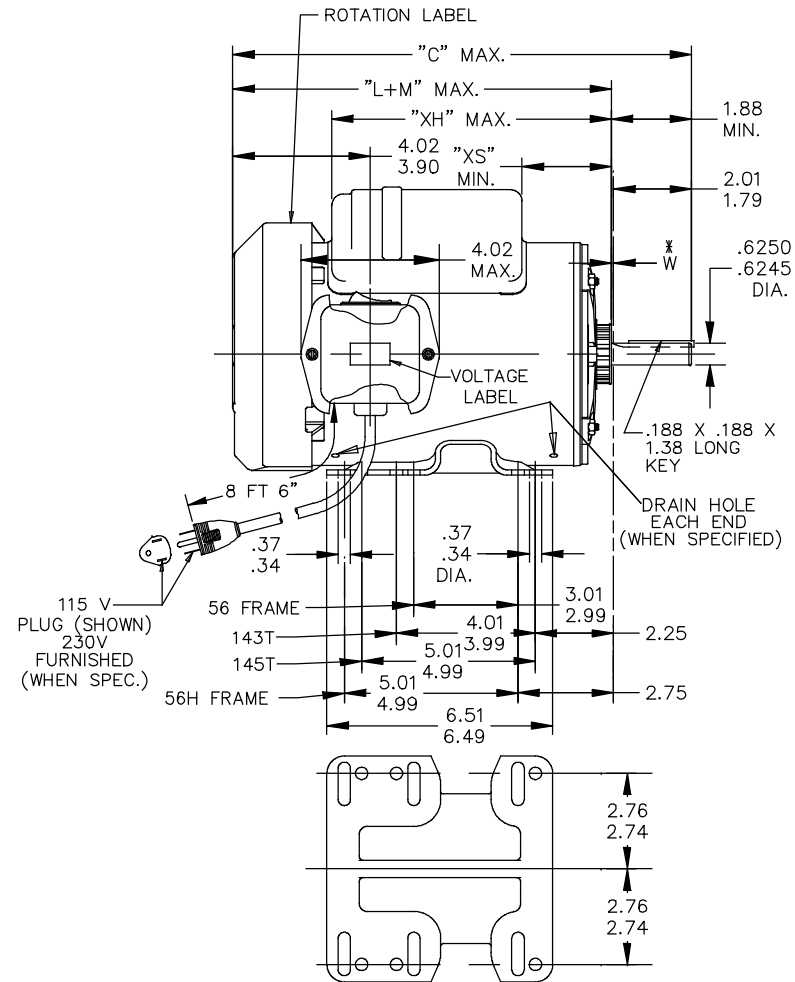
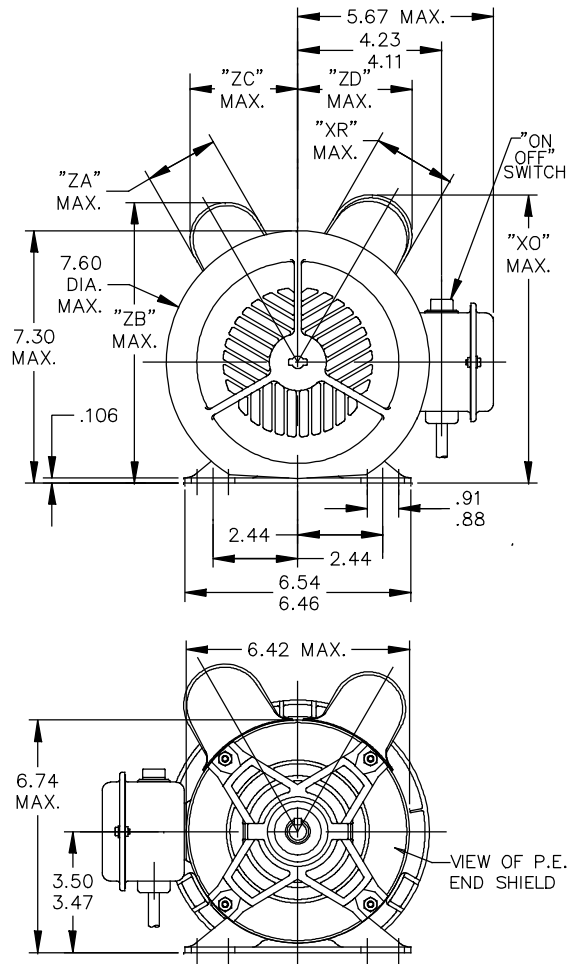


52A110620



115 V
PLUG (SHOWN)
230V
FURNISHED
(WHEN SPEC.)

56 FRAME
143T
145T
56H FRAME

* W IS A VARIABLE CLEARANCE
DUE TO VARIATIONS IN
PARTS AND ASSEMBLY

ALL DIMENSIONS ARE IN INCHES

1	KCR	48	56H	13.82	11.82	7.72	8.77	2.72	2.03	2.10	8.15	3.14	3.63	8.43
P	TYPE	GE SIZE	NEMA FR.	"C"	"L+M"	"XH"	"XO"	"XR"	"XS"	"ZA"	"ZB"	"ZC"	"ZD"	MIN. SHELL

		TOLERANCES UNLESS SPECIFIED		DRAWING NO. 09/19/00										
		DEC.		CHK										
		.X ±.1		APPD M.D.PAPE 09/19/00										
		.XX ±.03		SCALE 1=1										
3	ADDED DRAIN HOLES PER ECO-0136529	SN	12/19/17	SN	.XXX	±.005	TITLE GENERAL PURPOSE MTR-TEFC-BALL BEARING-WELDED BASE							REF
2	CHG TO RBC FORMAT PER IS05-1777	SUD	04/24/06	SUD	.XXXX	±.0005	MAT'L.							FMF 40 FR DESIGN
NO.	REVISION	BY & DATE	CHK	ANG	FINISH							PREV		
THIS DRAWING IN DESIGN AND DETAIL IS OUR PROPERTY AND MUST NOT BE USED EXCEPT IN CONNECTION WITH OUR WORK ALL RIGHTS OF DESIGN AND INVENTION ARE RESERVED THIS IS AN ELECTRONICALLY GENERATED DOCUMENT - DO NOT SCALE THIS PRINT				RFP	CAD FILE 52A110620					SIZE	DRAWING NO.	PAGE	OF	REV.
				DIST						A	52A110620			3

