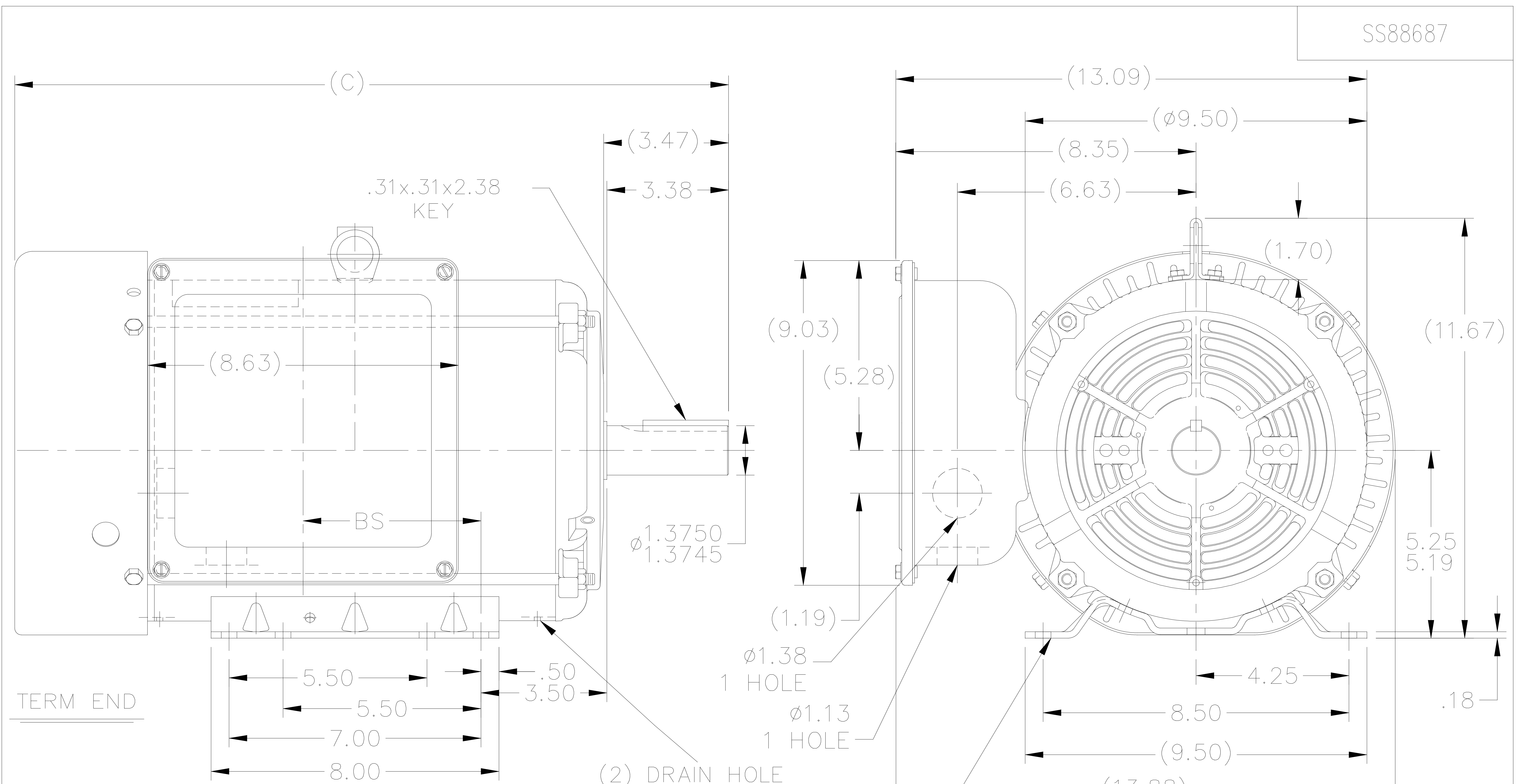
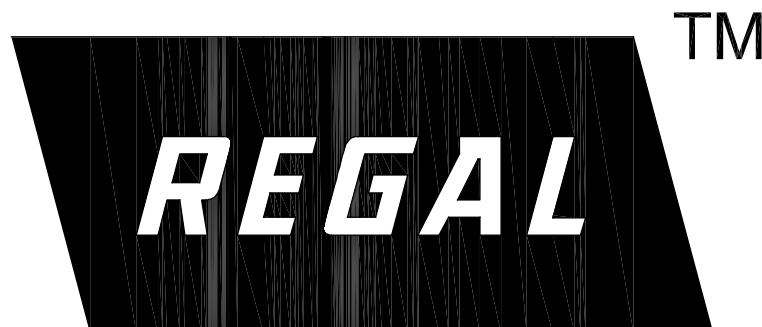


SS88687



DASH	FR.	C	BS
965	213T	18.34	3.44
1115	213/15T	19.84	4.94
1240	215T	21.09	6.19

NOTES:
 1. NAMEPLATE TO BE READ FROM C'BOX SIDE OF MOTOR.
 2. DASH 965 TO BE READ FROM OPPOSITE SHAFT END

				TOLERANCES UNLESS SPECIFIED		 Regal Beloit America, Inc.	DRAWN MJK 07-25-2007						
				DEC.	INCHES		CHK	MG	01-24-2008				
				.X	±.1	TITLE OUTLINE 210 FR. - TEFC - 1 PHASE	APPD	EH	01-24-2008	SCALE	1=4		
				.XX	±.03		REF						
				.XXX	±.005		FMF						
				.XXXX	±.0005		PREV						
A	DRAIN HOLES ADDED			KIR	02/08/16	SS	.XXXX	±.0005	MAT'L.				
NO.	REVISION			BY & DATE	CHK	ANG	±7'30"	FINISH					
THIS DRAWING IN DESIGN AND DETAIL IS OUR PROPERTY AND MUST NOT BE USED EXCEPT IN CONNECTION WITH OUR WORK ALL RIGHTS OF DESIGN AND INVENTION ARE RESERVED THIS IS AN ELECTRONICALLY GENERATED DOCUMENT - DO NOT SCALE THIS PRINT				RFP	01-24-2008	CAD FILE ss88687			SIZE	DRAWING NO.	PAGE	OF	REV.
				DIST	LB				A	SS88687			A