

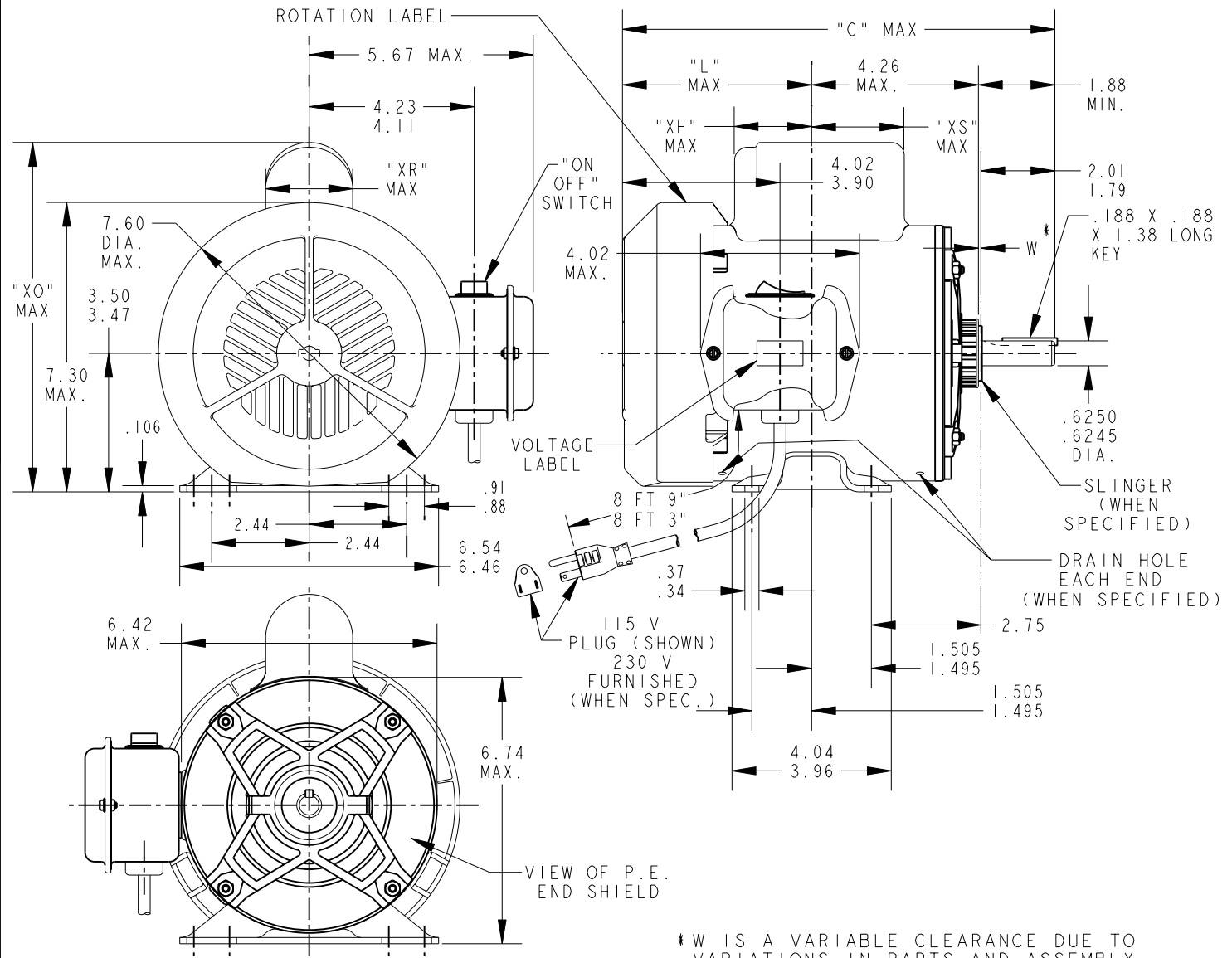
SHEET 1  
REV 6  
52A110622  
SIZE DRAWING NO. A

THIRD ANGLE PROJECTION



REVISIONS


REV.	DESCRIPTION	DATE	APPROVED
5	ADD TOL. TO CORD IS02-02676.	05/02/02	M.D.PAPE
6	CHG TO RBC FORMAT PER IS05-1777	04/24/06	SUDHA



ALL DIMENSIONS ARE IN INCHES

3	KC	49	56	12.43	6.28	3.51	8.22	1.60	2.24	7.15
2	KC	46	56	11.83	5.68	2.91	8.94	2.40	2.84	6.55
1	KC	49	56	12.96	6.81	3.58	8.94	2.40	2.17	7.68
P	TYPE	GE SIZE	NEMA FR.	"C"	"L"	"XH"	"XO"	"XR"	"XS"	MIN. SHELL

SIGNATURES		DATE
MODEL	M.D.PAPE	09/29/00
DETAIL	.	.
CHECKED	.	.
ENGRG	.	.
MFG	.	.
QUALITY	.	.
ISSUED	M.D.PAPE	09/29/00
SOLID MODEL:	52A110622	



**REGAL-BELOIT CORPORATION**

TITLE: **OUTLINE**

**GENERAL PURPOSE MOTOR - TEFC - BALL BEARING - WELDED BASE FMF - 40 FRAME REDESIGN**

SIZE: DRAWING A

SCALE: 0.250 REF. No: . SHEET 1 of 1

FOR ADDITIONAL INFO REFER TO:  
APPLIED PRACTICES  
DIMENSIONS ARE IN INCHES ✓  
MATERIAL