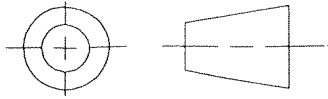


THIRD ANGLE PROJECTION

REVISIONS

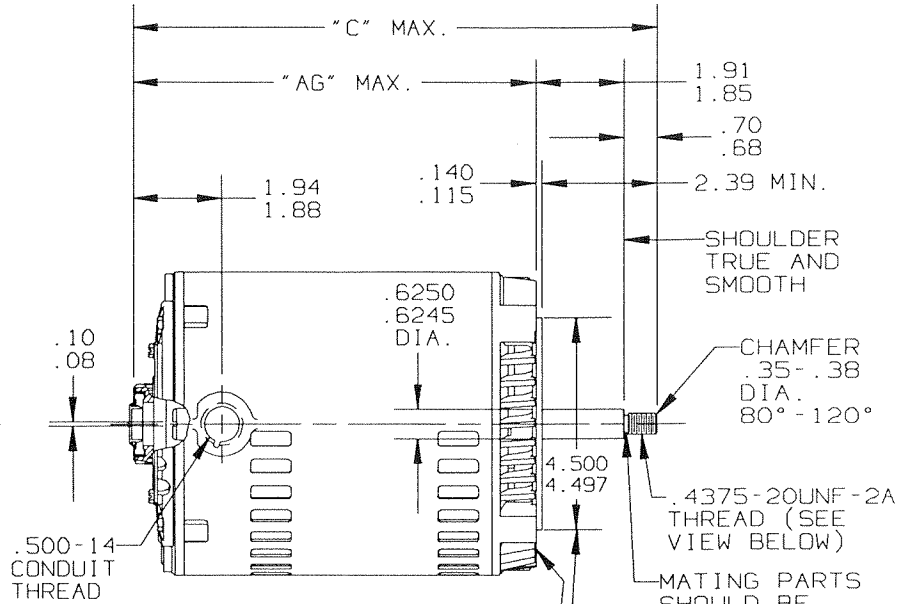
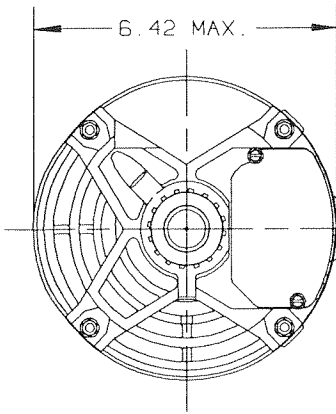


REV	DESCRIPTION	DATE	APPROVED
1	CHG TO RBC FORMAT IS05-1777	5/24/06	DURGA

RBC PROPRIETARY AND CONFIDENTIAL INFORMATION

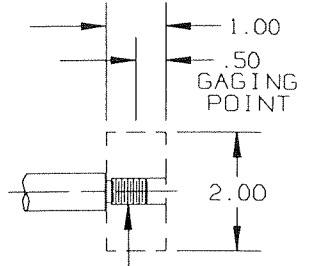
This document is the property of REGAL BELOIT CORPORATION ("RBC") including its subsidiaries and divisions and contains proprietary information of RBC. This document is loaned on the express condition that neither it nor the information contained therein shall be disclosed to others without the express written consent of RBC, and that the information shall be used by the recipient only as approved expressly by RBC. This document shall be returned to RBC upon its request. This document may be subject to certain restrictions under U.S. export control laws and regulations.

SIZE DWG NO 52A109680

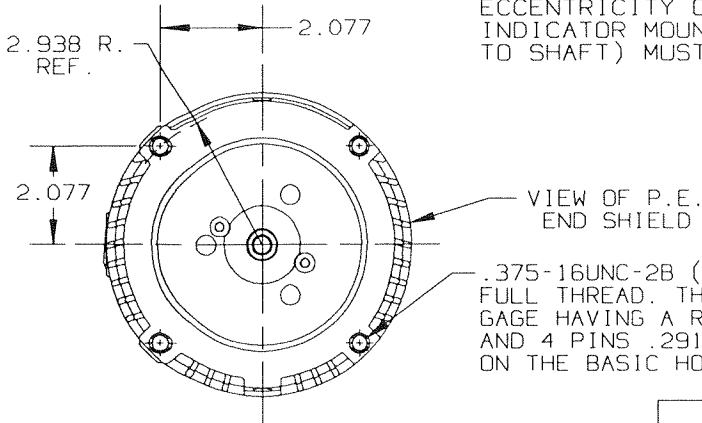


FACE RUNDOUT (WITH INDICATOR MOUNTED STATIONARY RELATIVE TO SHAFT) MUST NOT EXCEED .004 T.I.R.

ECCENTRICITY OF THIS SURFACE (WITH INDICATOR MOUNTED STATIONARY, RELATIVE TO SHAFT) MUST NOT EXCEED .004 T.I.R.



ECCENTRICITY OF THRD. PORTION OF SHAFT IS HELD WITHIN .004 TOTAL GAGE READING WITH THE INDICATOR ON THE O.D. OF THE GROUND RING GAGE AS SHOWN. THE GAGE BEING STATIONARY WITH RESPECT TO THE ROTOR.



ALL DIMENSIONS ARE IN INCHES

1	K	42	56J	10.41	7.78	5.72
P	TYPE	GE SIZE	NEMA FR.	"C"	"AG"	MIN. SHELL

UNLESS OTHERWISE SPECIFIED	SIGNATURES	DATE
DIMENSIONS ARE IN INCHES	DRAWN M.D.PAPE	09/14/94
TOLERANCES ON:	CHECKED	
2 PL DECIMALS ±	ENGRG	
3 PL DECIMALS ±	ISSUED M.D.PAPE	09/14/94
GAGES ±		
ACTIONS ±		
MATERIAL:		
APPLIED PRACTICES:		

REGAL BELOIT CORPORATION

OUTLINE

JET PUMP MOTOR
DRIP PROOF
BALL BEARING
R2 END MOUNTED

FMF - 5K42UN4139

CAD NO. F40:52A109680

SIZE A FSCM NO 0125 DWG NO **52A109680**

SCALE .25:1 SHEET 1 OF 1

DISTR TO F114(4).B201.J10(4).J11.J12(5)