

(4) .38-16 UNC 2B  $\nabla$ .63  
EQUALLY SPACED ON  
 $\varnothing$ 5.875 BOLT CIRCLE

-005	4.0	2.75	6.43	10.68	00
-004	3.0	2.75	5.43	9.68	00
-003	2.0	2.75	4.43	8.68	00
-002	1.5	2.50	3.93	8.18	00
-001	1.0	2.00	3.43	7.68	00
ITEM NO.	STACK REF.	"B"	"C"	"OL"	ITEM REV.

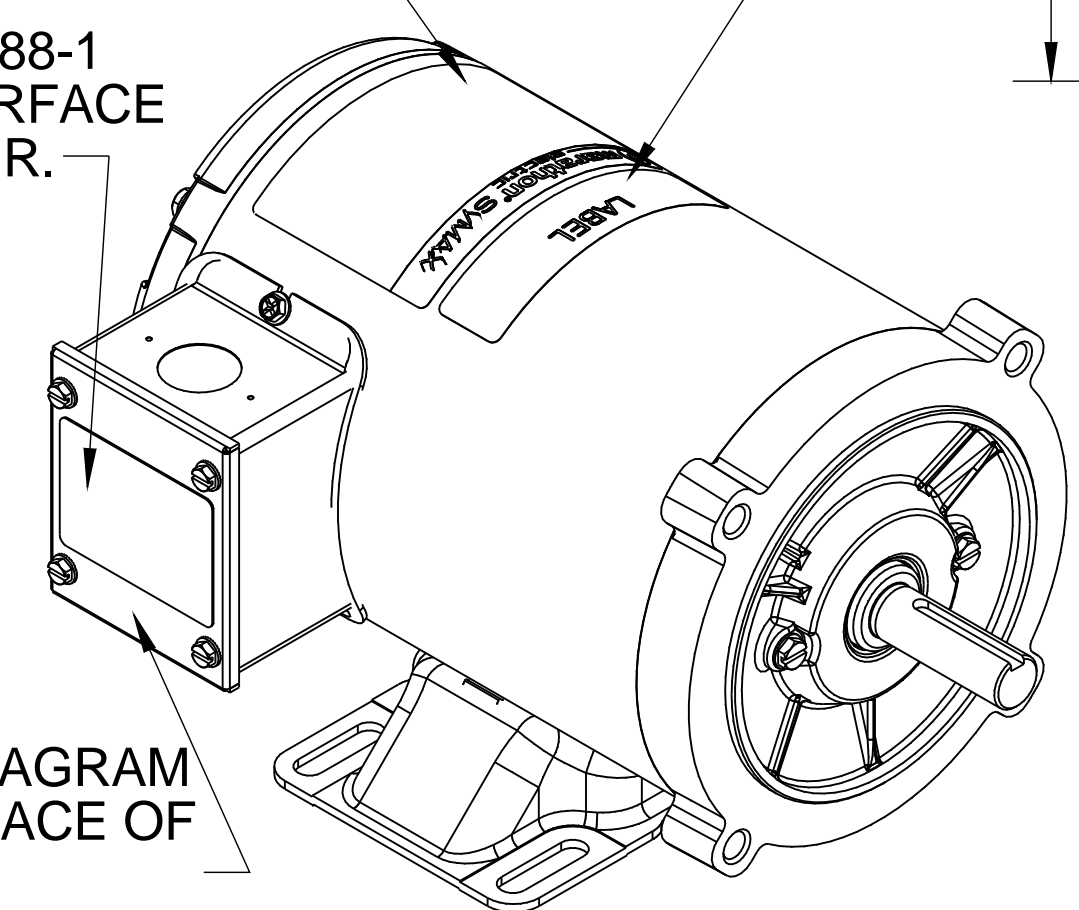
DRAWING REVISION E  
ECO ECO-0098749  
ECO DESCRIPTION  
UPDATE CONFIGURATIONS  
COPYRIGHT REGAL BELOIT AMERICA, INC. ALL RIGHTS RESERVED. PROPRIETARY AND CONFIDENTIAL INFORMATION - THIS DOCUMENT IS THE PROPERTY OF REGAL BELOIT AMERICA, INC. ("OWNER") AND CONTAINS OWNER'S PROPRIETARY INFORMATION. ANY PERSON, CORPORATION OR OTHER FIRM RECEIVING IT IS DEEMED, BY RECEIVING IT, TO AGREE THAT IT, AND/OR ANY PART OF IT, SHALL NOT BE DISCLOSED TO ANY PERSON, CORPORATION OR OTHER ENTITY, DUPLICATED, AND/OR USED, EXCEPT AS EXPRESSLY APPROVED IN WRITING IN ADVANCE BY OWNER. THIS DOCUMENT SHALL BE RETURNED TO OWNER UPON REQUEST. IT MAY BE SUBJECT TO CERTAIN RESTRICTIONS UNDER APPLICABLE EXPORT CONTROL LAWS AND REGULATIONS.

TOLERANCES UNLESS OTHERWISE SPECIFIED:  
DEC.  $\pm$ 0.1 [  $\pm$ 2.5 ]  
.X  $\pm$ 0.03 [  $\pm$ 0.76 ]  
.XX  $\pm$ 0.005 [  $\pm$ 0.127 ]  
.XXX  $\pm$ 0.0005 [  $\pm$ 0.0127 ]  
REMOVE BURRS & BREAK SHARP EDGES: .003/.015 [ .076/.381 ] X 45°  
CORNER FILLETS: R.02 [ .51 ]  
MACHINED SURFACES: 125  $\sqrt$  INCH  $\sqrt$  3.2 mm  $\sqrt$   
mm SHOWN IN [BRACKETS]

DRAWN BY DWH  
DATE 11/27/2012  
APPROVED BY  
DATE  
REFERENCE  
THIRD ANGLE PROJECTION

**REGAL**™ Regal Beloit America, Inc.  
DESCRIPTION  
**OUTLINE**  
3 PHASE PMAC  
MATERIAL  
PROCESS/FINISH  
SIZE **B** DRAWING NUMBER **614-0004** SHEET 1 OF 1

DECAL CONNECTION DIAGRAM  
PLACE ON INSIDE SURFACE OF  
CONDUIT BOX COVER



DECAL MAGNETIC FORCE 93520

NAMEPLATE 993519 SYMAX

DECAL MAX GUARD 91188-1  
PLACE ON OUTSIDE SURFACE  
OF CONDUIT BOX COVER.