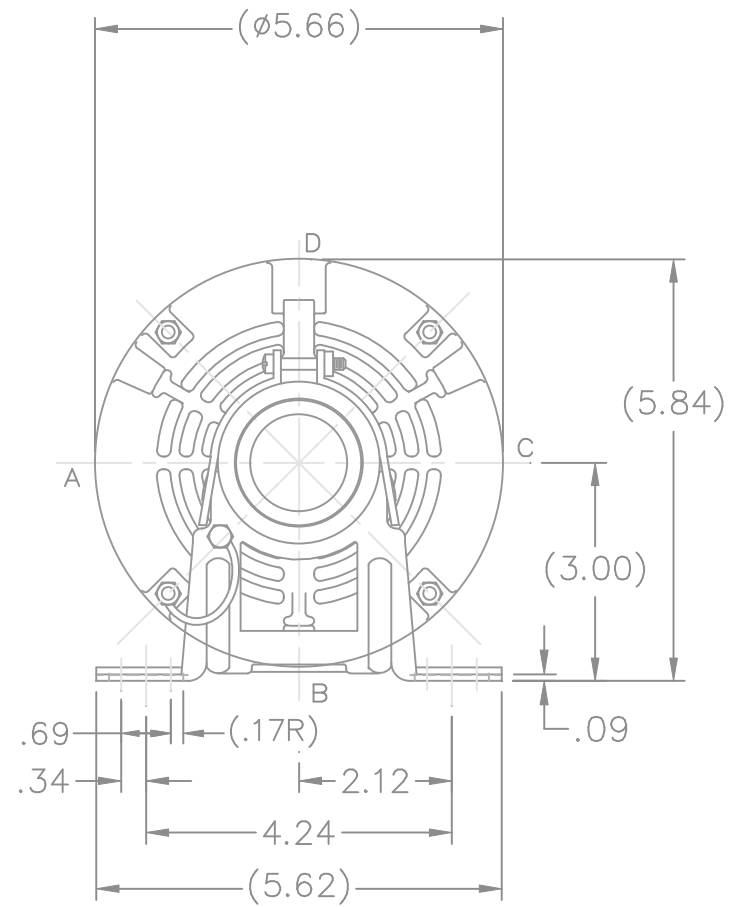
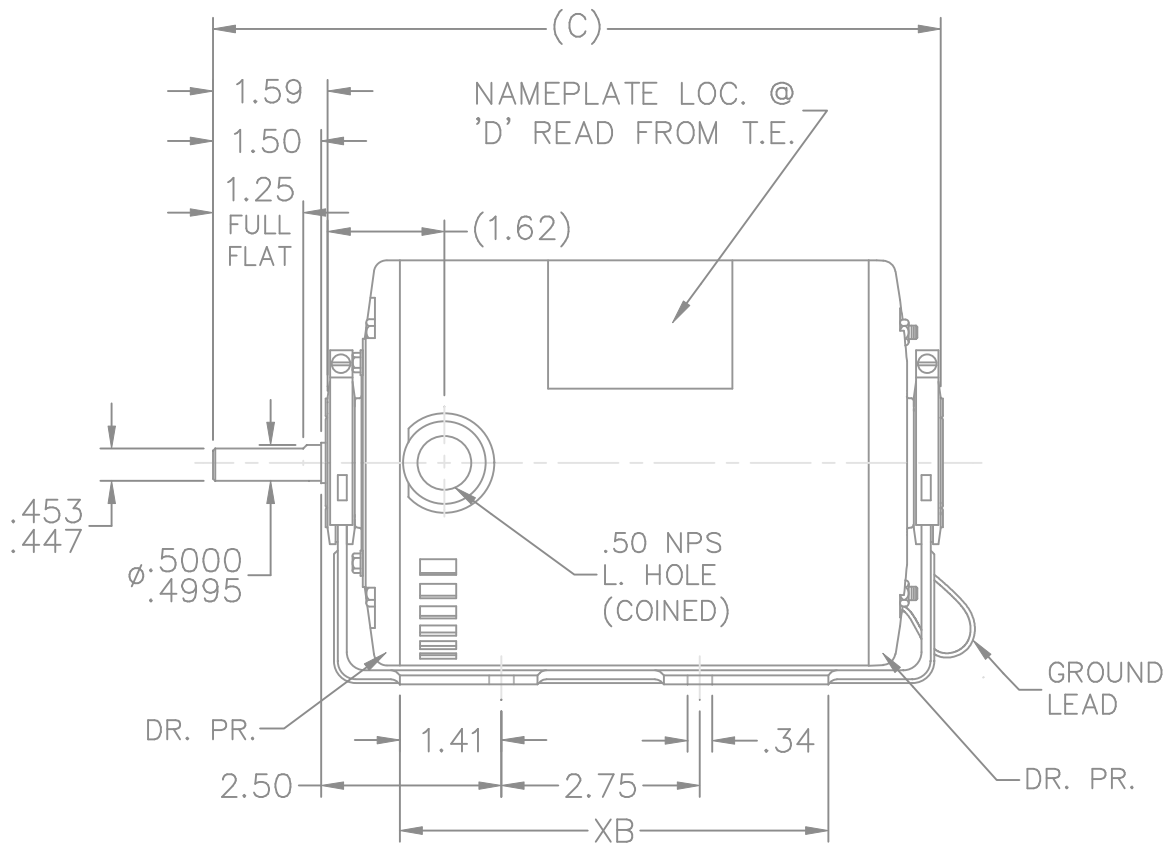



TERM END

SS403813



DASH	FR.	C	XB	DASH	FR.	C	XB
575	48	9.34	5.94				

				TOLERANCES UNLESS SPECIFIED		 MARATHON ELECTRIC	DRAWN SP 21-01-2009		
				DEC.	INCHES		CHK NB 21-01-2009		
				.X	±.1		APPD SP 21-01-2009		
				.XX	±.03		SCALE 3=8		
				.XXX	±.005		REF SS78763		
				.XXXX	±.0005	FMF 07-2636			
				ANG	±7'30"	PREV			
NO.	REVISION			BY & DATE	CHK	MAT'L.	FINISH		
THIS DRAWING IN DESIGN AND DETAIL IS OUR PROPERTY AND MUST NOT BE USED EXCEPT IN CONNECTION WITH OUR WORK ALL RIGHTS OF DESIGN AND INVENTION ARE RESERVED THIS IS AN ELECTRONICALLY GENERATED DOCUMENT - DO NOT SCALE THIS PRINT				RFP	21-01-2009	CAD FILE	SS403813	SIZE	DRAWING NO. PAGE OF REV.
				DIST	WP			A	SS403813