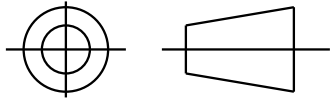


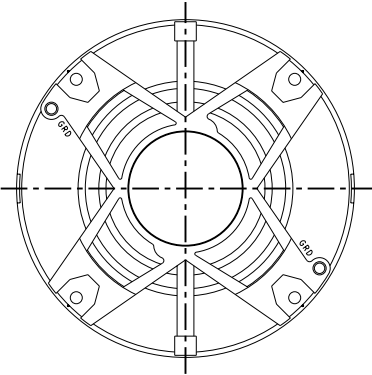
SHEET 1
REV 4
52A107024
SIZE DRAWING NO. A

THIRD ANGLE PROJECTION

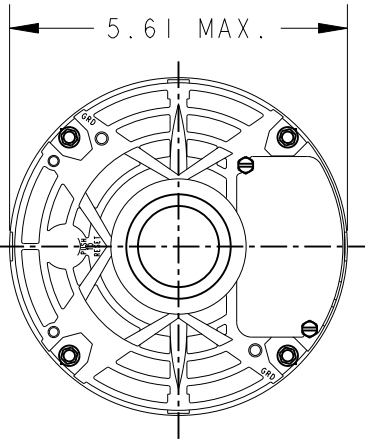


REVISIONS

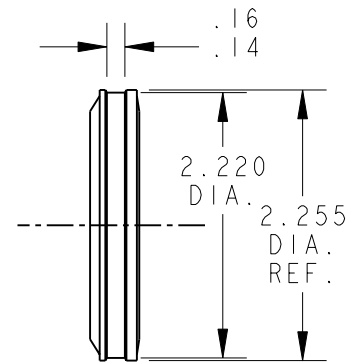
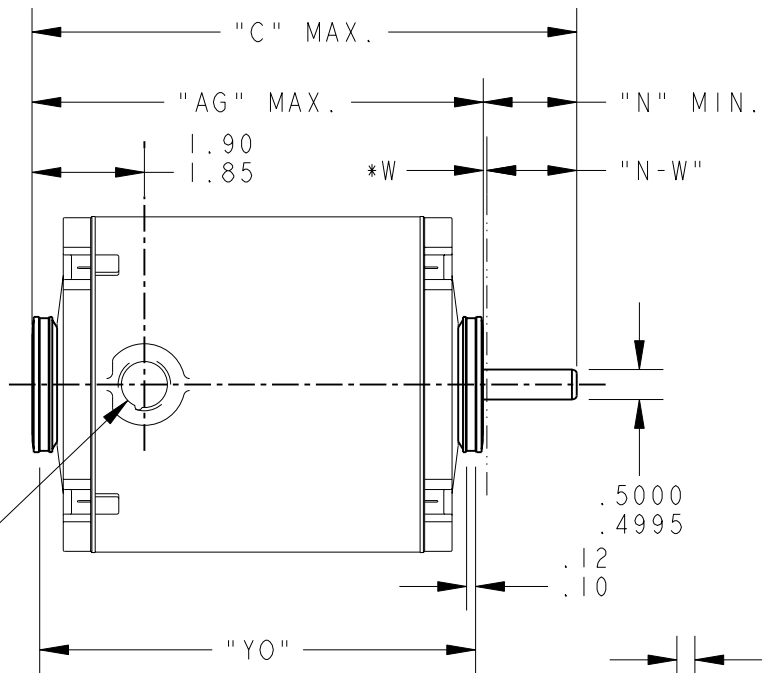
REV.	DESCRIPTION	DATE	APPROVED
3	RETRACED, CHGS. PER T195-21651.	02/16/95	M. D. PAPE
4	CHG TO RBC FORMAT PER IS05-1777	02/16/06	SUDHA



VIEW SHOWING P.E. VENTILATION OPENINGS




*W IS A VARIABLE CLEARANCE DUE TO VARIATIONS IN PARTS AND ASSEMBLY



P	TYPE	GE SIZE	NEMA FR	"C"	"AG"	"YO"	"N"	"N-W"	SHL. LGTH. REF.
2	KH	39	48Y	7.29	6.20	5.97 5.76	0.97	1.10/0.88	4.05
1	KH	32	48Y	8.40	7.31	7.08 6.87	0.97	1.10/0.88	5.16

SIGNATURES		DATE
MODEL	M. D. PAPE	03/21/90
DETAIL	.	.
CHECKED	.	.
ENGRG	.	.
MFG	.	.
FOR ADDITIONAL INFO REFER TO:	QUALITY	.
APPLIED PRACTICES	ISSUED	M. D. PAPE 02/16/95
DIMENSIONS ARE IN INCHES ✓	SOLID MODEL: 52A107024	



REGAL-BELOIT CORPORATION

TITLE

OUTLINE

DRIP PROOF - RESIL. RING - SLV./BALL BRG.

5KH39QN5554T

SIZE	DRAWING
A	

52A107024

REV 4

SCALE: 0.313	REF. No: .	SHEET 1 of 1
--------------	------------	--------------