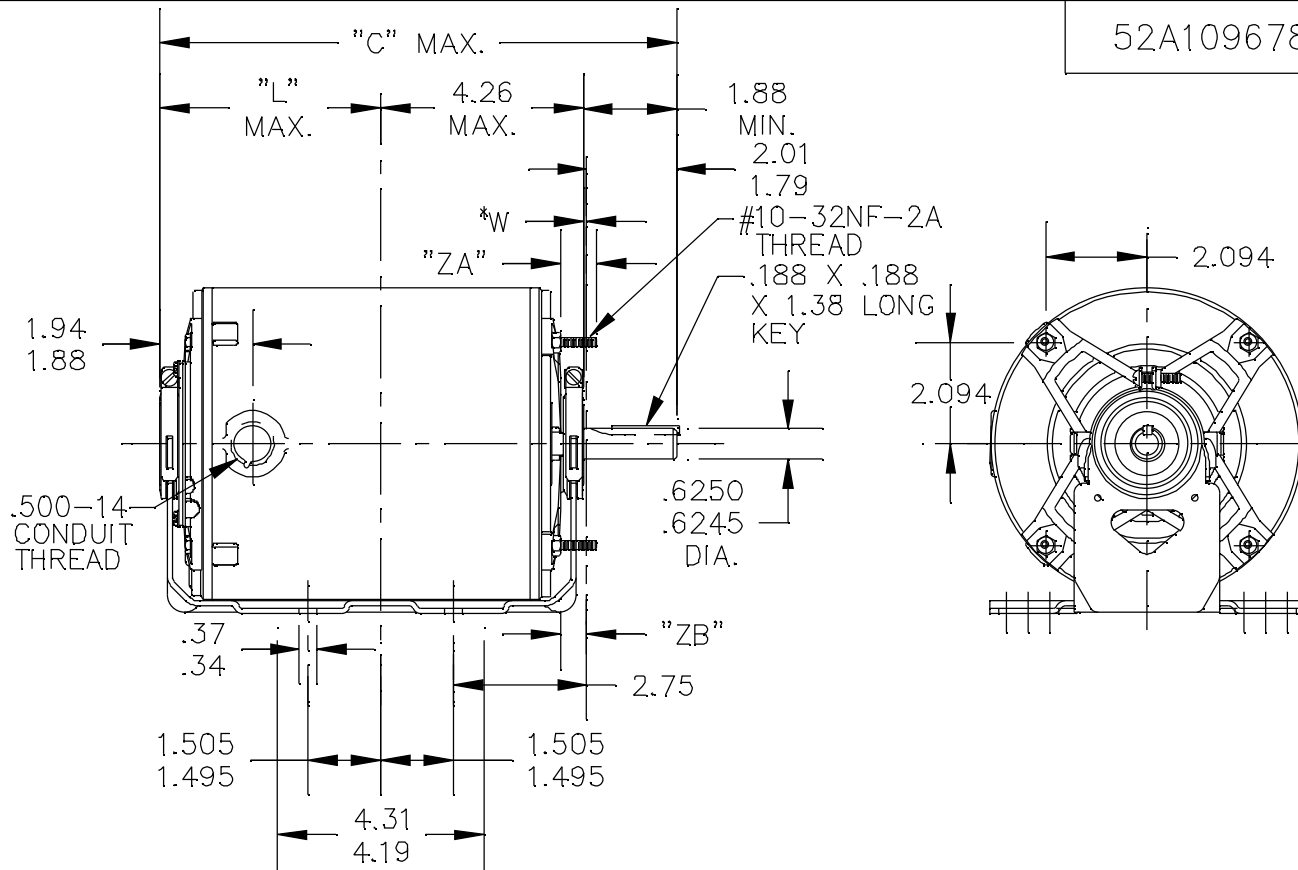
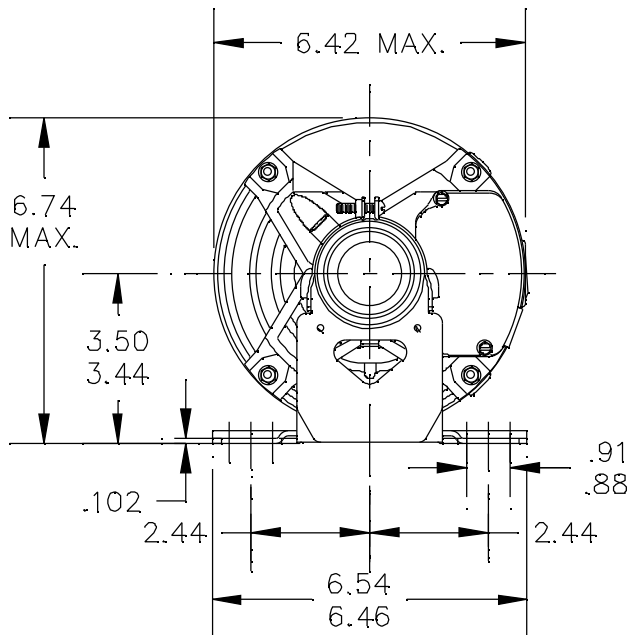



52A109678



*W IS A VARIABLE CLEARANCE DUE TO VARIATIONS IN PARTS AND ASSEMBLY

ALL DIMENSIONS ARE IN INCHES

2	KH	46	56	10.88	4.62	.62	.51/.44		6.55
1	K	42	56	10.05	3.79	.62	.51/.44		5.72
P	TYPE	RBC SIZE	NEMA FR.	"C"	"L"	"ZA"	"ZB"		MIN. SHELL

				TOLERANCES UNLESS SPECIFIED		 REGAL-BELOIT CORPORATION		DRAWN M.D.P 09/08/94	
				DEC.	INCHES			CHK	
4	REDRAWN IN DRAFT SIGHT NO CHANGES	PVR 10/16/12	PKG	.X	±0.1	TITLE OUTLINE TENV - RESILIENT BASE EXTENDED CLAMP SCREWS		APPD M.D.P 09/08/94	
3	ADDED PART #2 PER DS10-0176	AB 02/26/10		.XX	±0.02			SCALE 1=1	
2	CHG TO RBC FORMAT PER IS05-1777	SUDHA3/23/06		.XXX	±0.005			REF	
1	ADDED DIM. "ZB"	M.A.M09/20/94		.XXXX	±0.0005	MAT'L.		FMF	
NO.	REVISION	BY & DATE	CHK	ANG	±1.0	FINISH		PREV	

THIS DRAWING IN DESIGN AND DETAIL IS OUR PROPERTY AND MUST NOT BE USED EXCEPT IN CONNECTION WITH OUR WORK ALL RIGHTS OF DESIGN AND INVENTION ARE RESERVED THIS IS AN ELECTRONICALLY GENERATED DOCUMENT - DO NOT SCALE THIS PRINT

RFP	CAD FILE	52A109678	SIZE	DRAWING NO.	REV.
DIST			A	52A109678	4