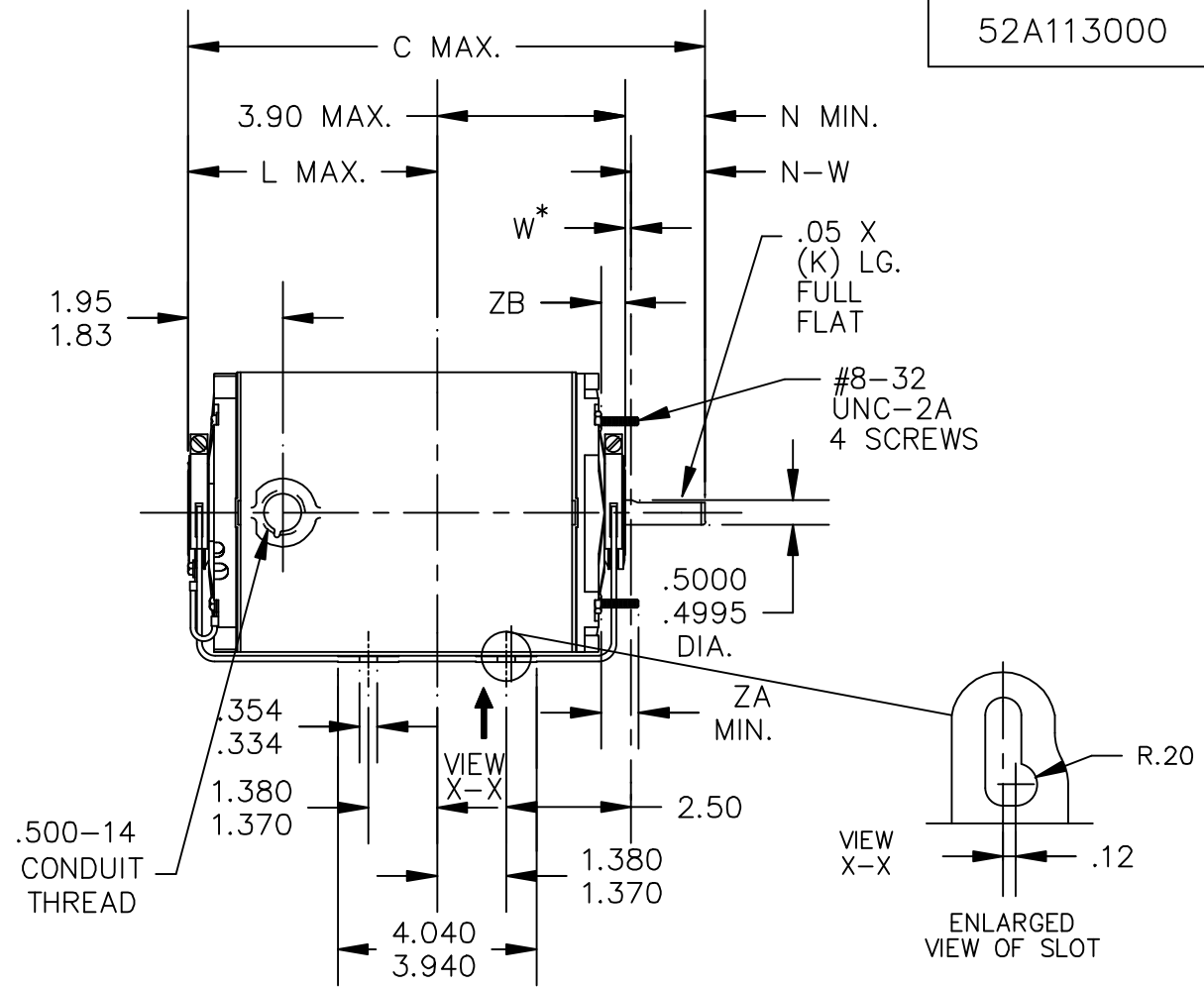
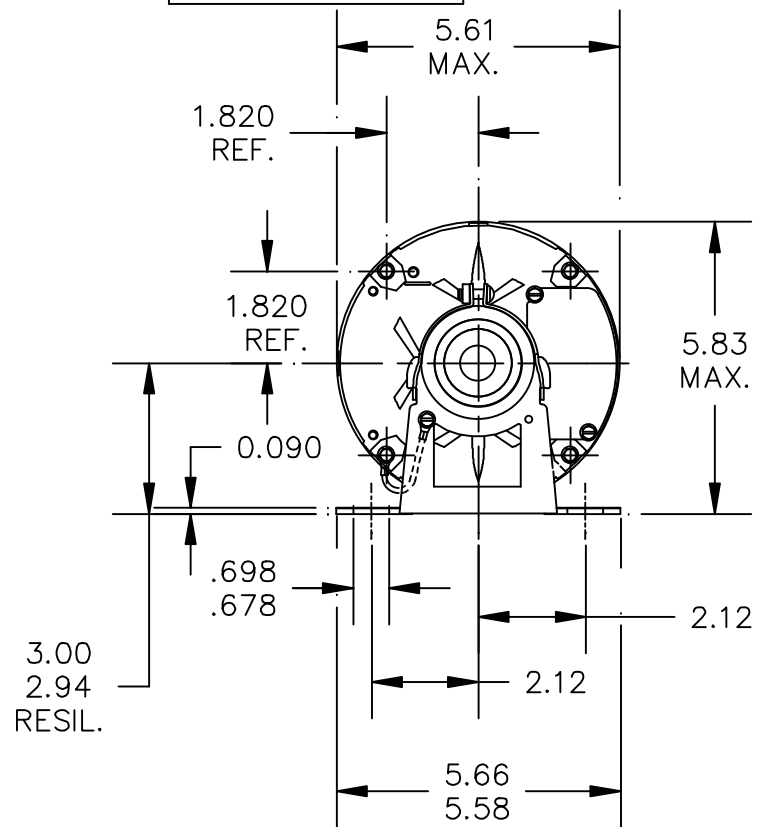


CONTINUED FROM
52A101954



W* IS A CLEARANCE DUE TO VARIATION IN PARTS AND ASSEMBLY.

3	KH	33	48Z	9.93	1.91	3.84	2.25	2.38/2.16	.55/.52	.62
2	KH	32	48Z	9.68	1.91	3.59	2.25	2.38/2.16	.55/.52	.78
1	KH	36	48Z	11.00	2.16	4.65	2.50	2.63/2.41	.55/.52	.62
P	TYPE	RBC SIZE	NEMA FR	C	K	L	N	N-W	ZB	ZA

				TOLERANCES UNLESS SPECIFIED		REGAL-BELOIT CORPORATION		DRAWN BOMMU 10/23/07		
				DEC.	INCHES			CHK		
				.X	±0.1	TITLE OUTLINE TENV - RESIL BASE		APPD PRAVEEN 10/23/07		
				.XX	±0.02			SCALE 1=1		
				.XXX	±0.005			REF		
01	CHG GD LD FROM 4.30 TO 7.30 PER IS11-0510.		PVR 09/24/12	PKG	.XXX	±0.005	MAT'L.		FMF	
				.XXXX	±0.0005	FINISH		PREV		
& REDRAWN IN DRAFT SIGHT				RFP		CAD FILE 52A113000		SIZE A	DRAWING NO. 52A113000	REV. 01
NQ. REVISION				BY & DATE		DIST				

THIS DRAWING IN DESIGN AND DETAIL IS OUR PROPERTY AND MUST NOT BE USED EXCEPT IN CONNECTION WITH OUR WORK ALL RIGHTS OF DESIGN AND INVENTION ARE RESERVED THIS IS AN ELECTRONICALLY GENERATED DOCUMENT - DO NOT SCALE THIS PRINT