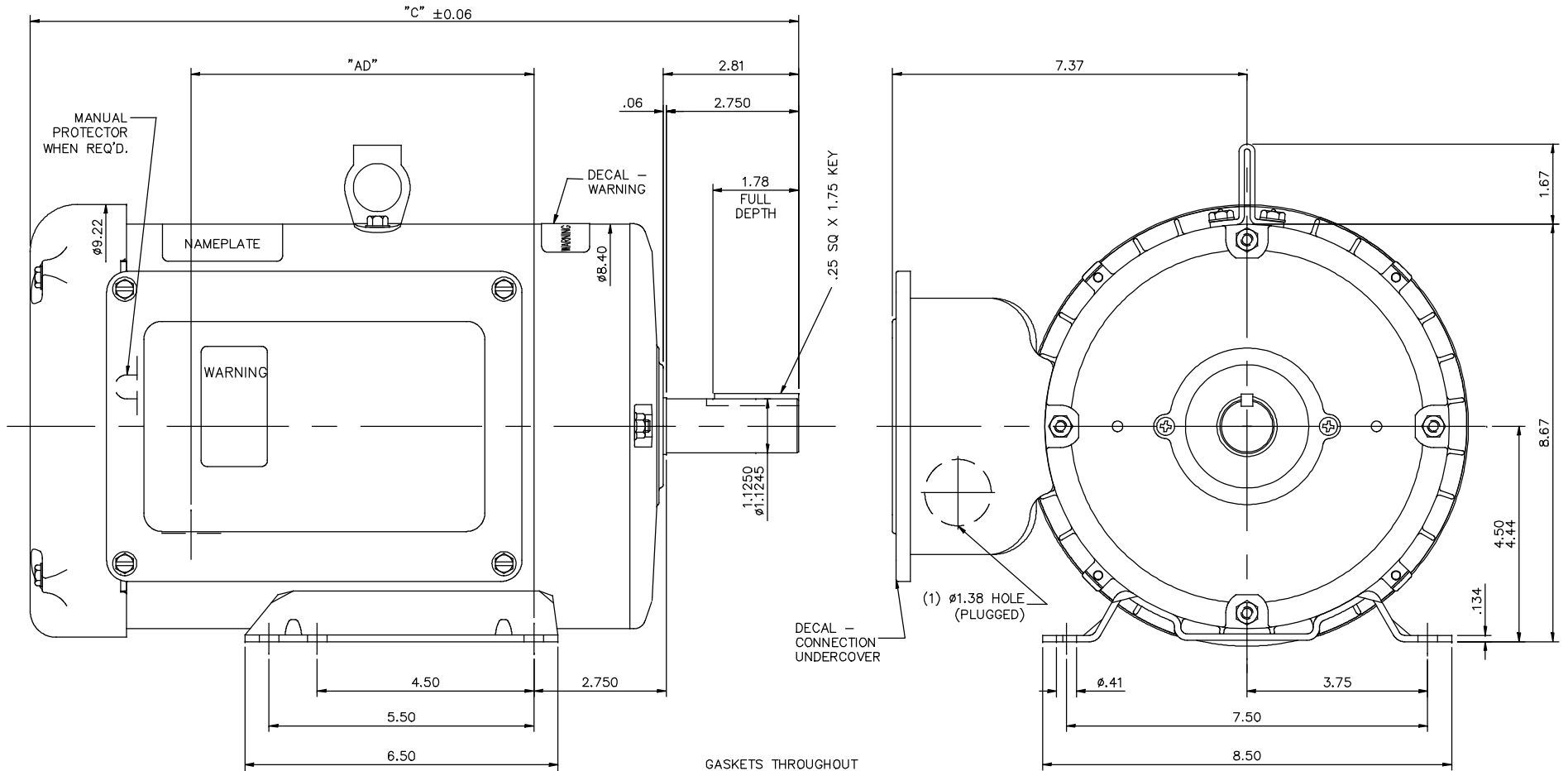


035636



DASH NO.	"C"	"AD"
1050	15.96	7.12
1100	16.46	7.62
1150	16.96	8.12
1200	17.46	8.62
1100	17.96	9.12
1150	18.46	9.62

TOLERANCES UNLESS SPECIFIED		REGAL™ Regal Beloit America, Inc.		DRAWN	YS 01/21/08
DEC.	INCHES	CHK		APPD	
.X	±0		TITLE		
.XX	±0		OUTLINE - 180T		
.XXX	±0		TEFC-RIGID		
.XXXX	±0		MAT'L		REF 035540&037598
ANG	±0		FINISH		FMF 184TBFW737
NO.	REVISION	BY & DATE	CHK	ANG	PREV
THIS DRAWING IN DESIGN AND DETAIL IS OUR PROPERTY AND MUST NOT BE USED EXCEPT IN CONNECTION WITH OUR WORK. ALL RIGHTS OF DESIGN AND INVENTION ARE RESERVED. THIS IS AN ELECTRONICALLY GENERATED DOCUMENT - DO NOT SCALE THIS PRINT			RFP	CAD FILE	035636
DIST			SIZE	B	DRAWING NO.
					035636
			REV.		B