

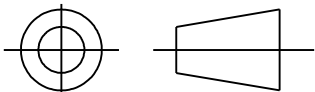
SHEET

REV

52A109601 3

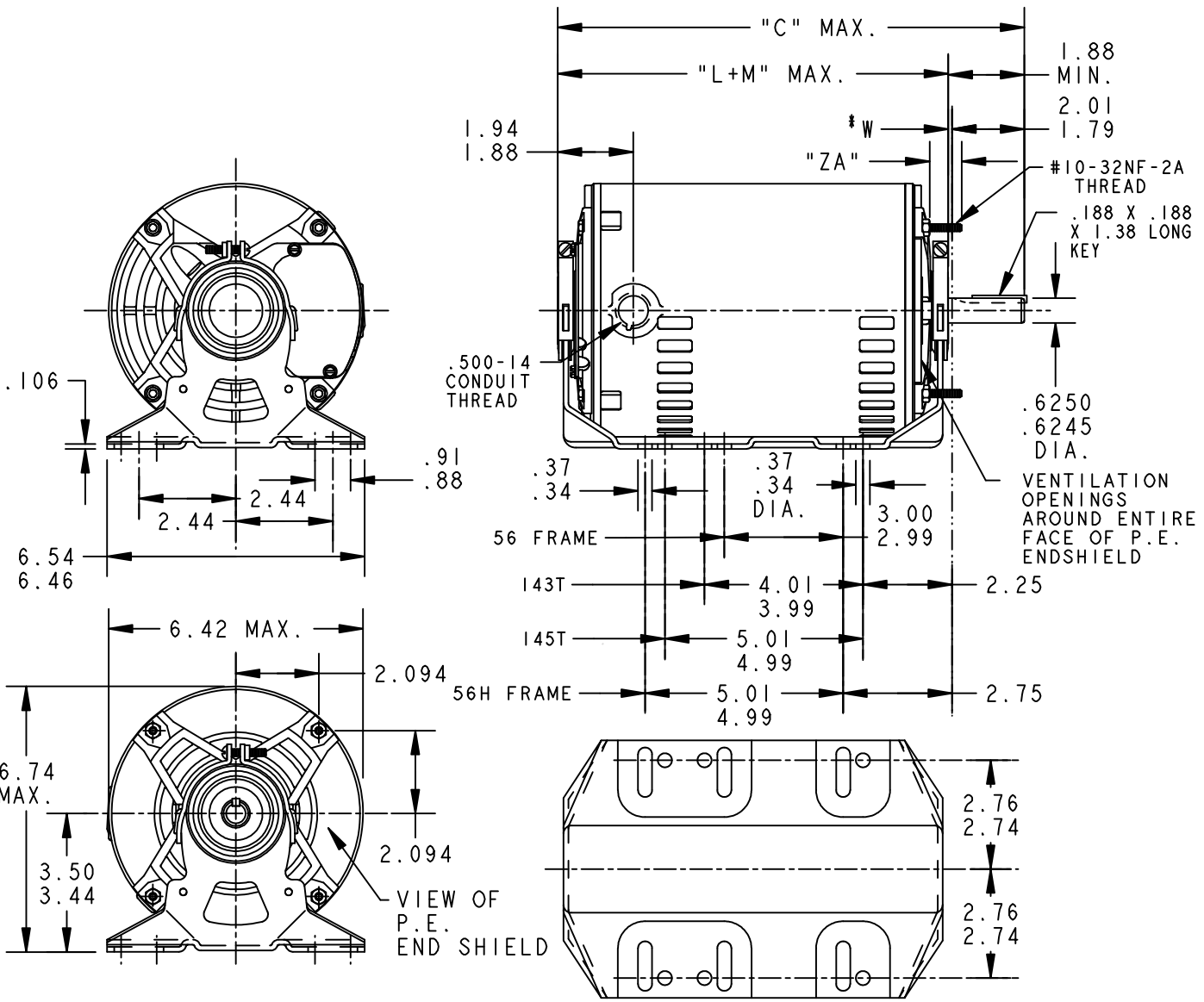
SIZE DRAWING NO. A

THIRD ANGLE PROJECTION



REVISIONS

REV.	DESCRIPTION	DATE	APPROVED
2	ADDED SHELL VENTS.	03/25/94	M.D. PAPE
3	CHG TO RBC FORMAT PER ISO5-1777	03/20/06	SUDHA



2	K	48	56H	12.76	10.76	8.43	.62
I	K	49	56H	13.96	11.96	9.63	.62
P	TYPE	GE SIZE	NEMA FR	C	L+M	SHELL MIN.	ZA

\* W IS A VARIABLE CLEARANCE DUE TO VARIATIONS IN PARTS AND ASSEMBLY

FOR ADDITIONAL INFO REFER TO: APPLIED PRACTICES DIMENSIONS ARE IN INCHES MATERIAL	SIGNATURES		DATE	REGAL-BELOIT CORPORATION TITLE <b>OUTLINE</b> GENERAL PURPOSE MOTOR - DRIP PROOF - BALL BEARING RESILIENT BASE - EXTENDED CLAMP SCREWS SIZE DRAWING A	REF. No.: . SCALE: 0.250 SHEET 1 of 1
	MODEL	M.D. PAPE	03/23/94		
	DETAIL	.	.		
	CHECKED	.	.		
	ENGRG	.	.	52A109601 REV <b>3</b>	
	MFG	.	.		
	QUALITY	.	.		
	ISSUED	M.D. PAPE	03/23/94		
	SOLID MODEL: 52A109601				