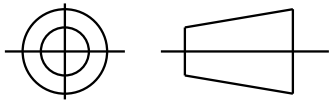


SHEET
REV
4

52A109606

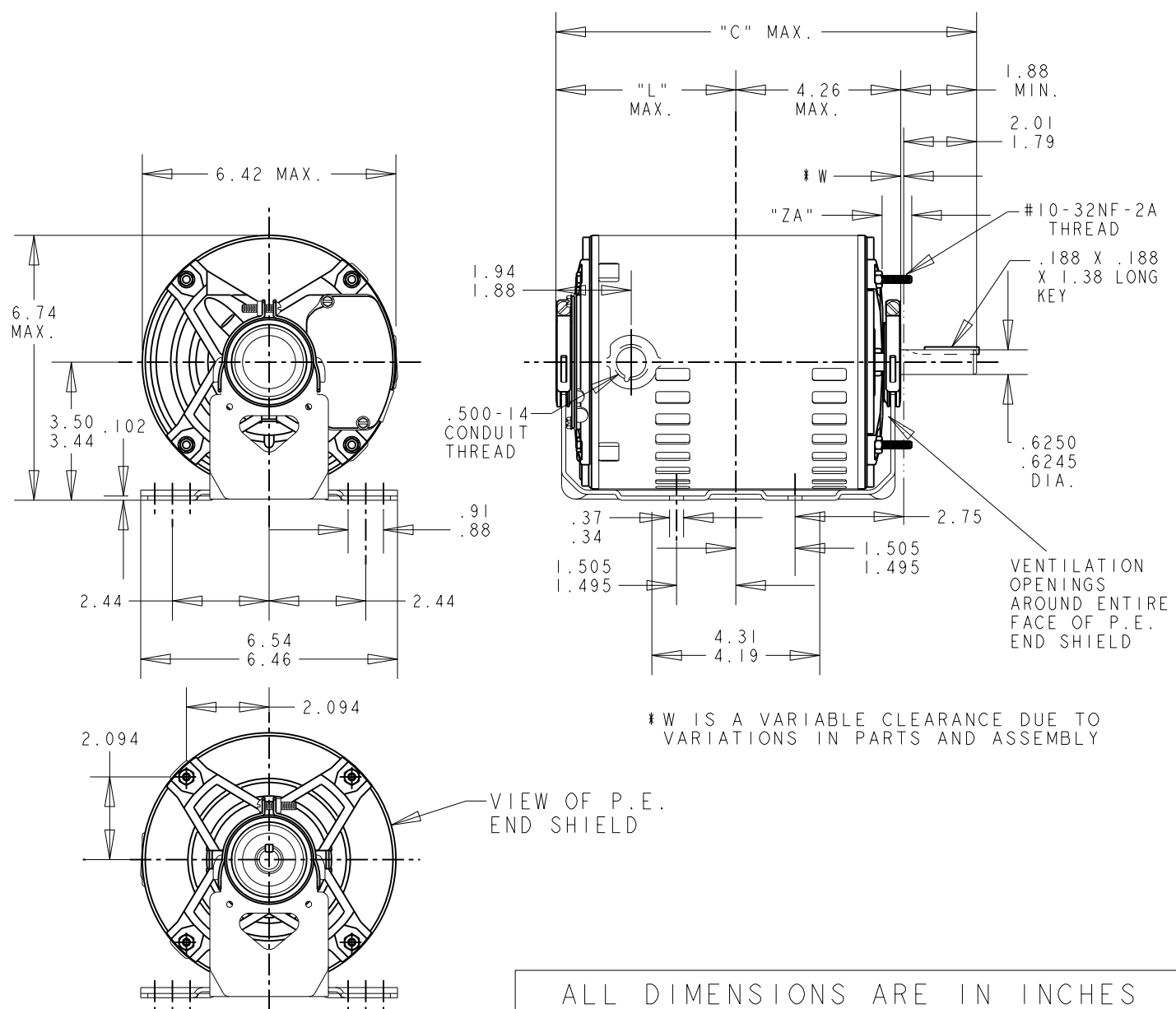
SIZE DRAWING NO.
A

THIRD ANGLE PROJECTION



REVISIONS


REV.	DESCRIPTION	DATE	APPROVED
3	CHANGED GE SIZE FOR P3	05/07/04	ARUNK
4	CHG TO RBC FORMAT PER ISO5-1777	03/21/06	SUDHA



ALL DIMENSIONS ARE IN INCHES

P	TYPE	GE SIZE	NEMA FR.	"C"	"L"	"ZA"	MIN. SHELL
3	K	46	56	10.88	4.62	.62	6.55
2	K	49	56	10.48	4.22	.62	6.15
1	K	42	56	10.05	3.79	.62	5.72

SIGNATURES		DATE
MODEL	M. D. PAPE	03/31/94
DETAIL	.	.
CHECKED	.	.
ENGRG	.	.
MFG	.	.
QUALITY	.	.
ISSUED	M. D. PAPE	03/31/94
SOLID MODEL:	52A109606	



REGAL-BELOIT CORPORATION

TITLE
OUTLINE

GENERAL PURPOSE MOTOR - DRIP PROOF - BALL BEARING - REISLIENT BASE EXTENDED CLAMP SCREWS FMF - 40 FRAME REDESIGN

SCALE: 0.250 REF. No: . SHEET 1 of 1

FOR ADDITIONAL INFO REFER TO:
APPLIED PRACTICES
DIMENSIONS ARE IN INCHES ✓

SIZE DRAWING: A
52A109606
REV: 4